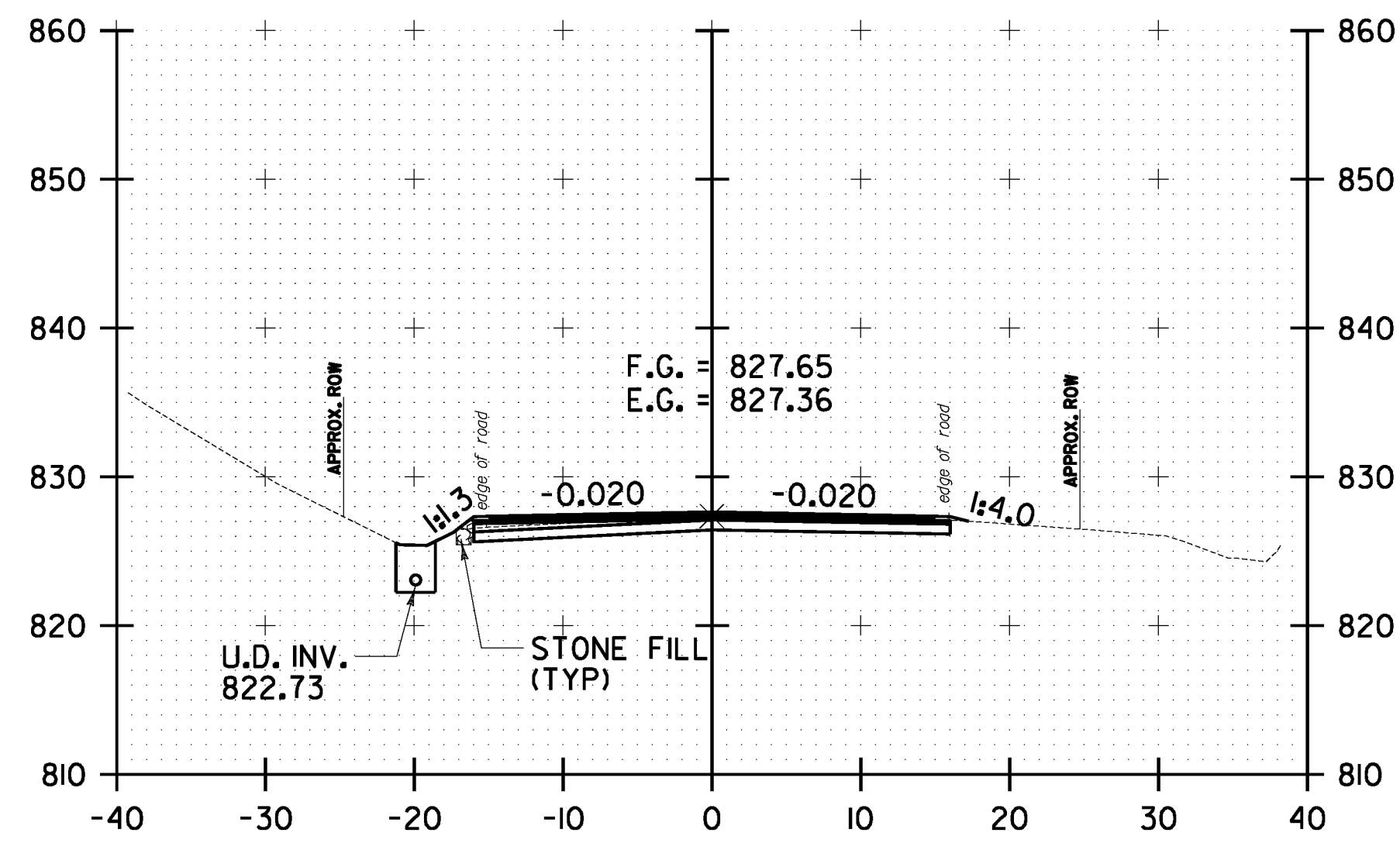
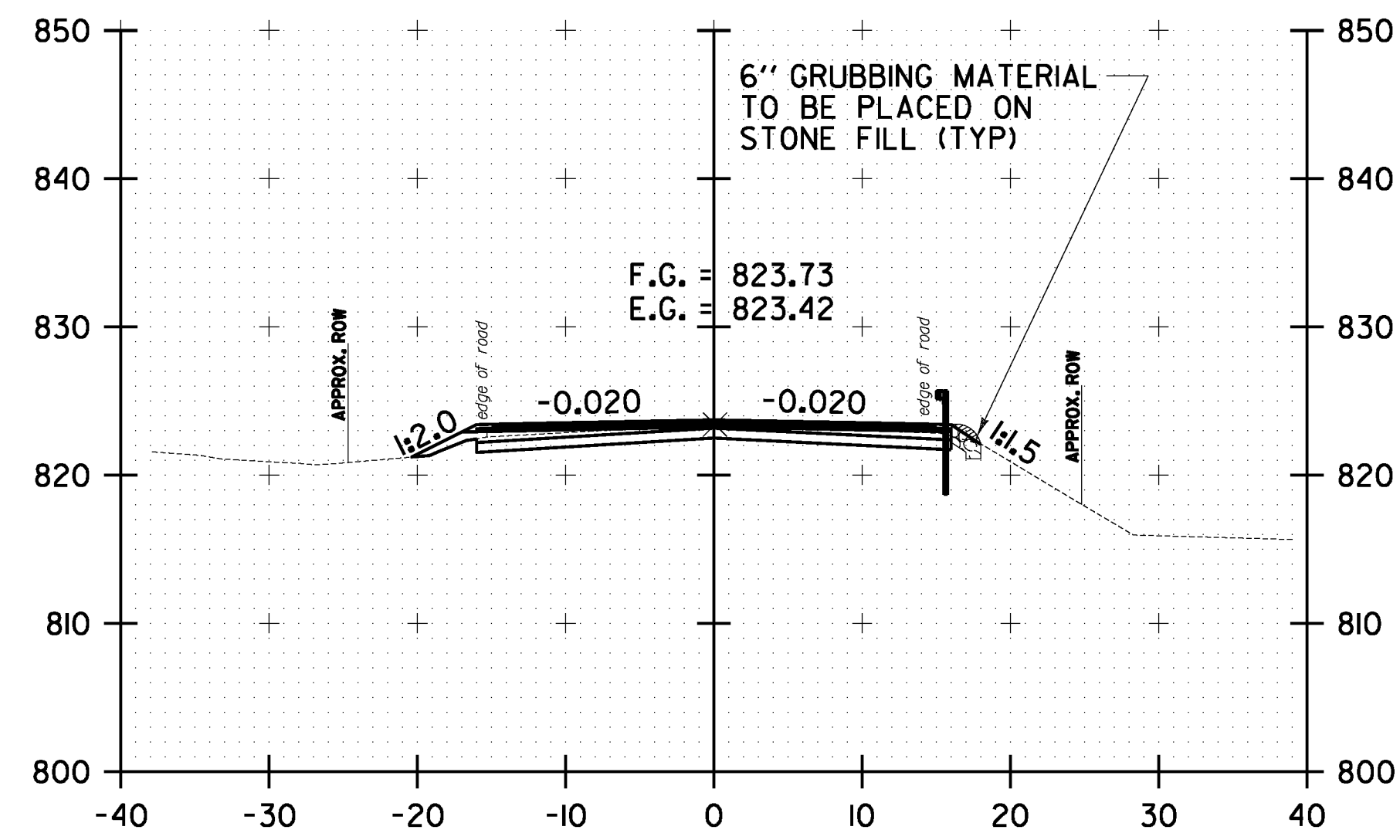


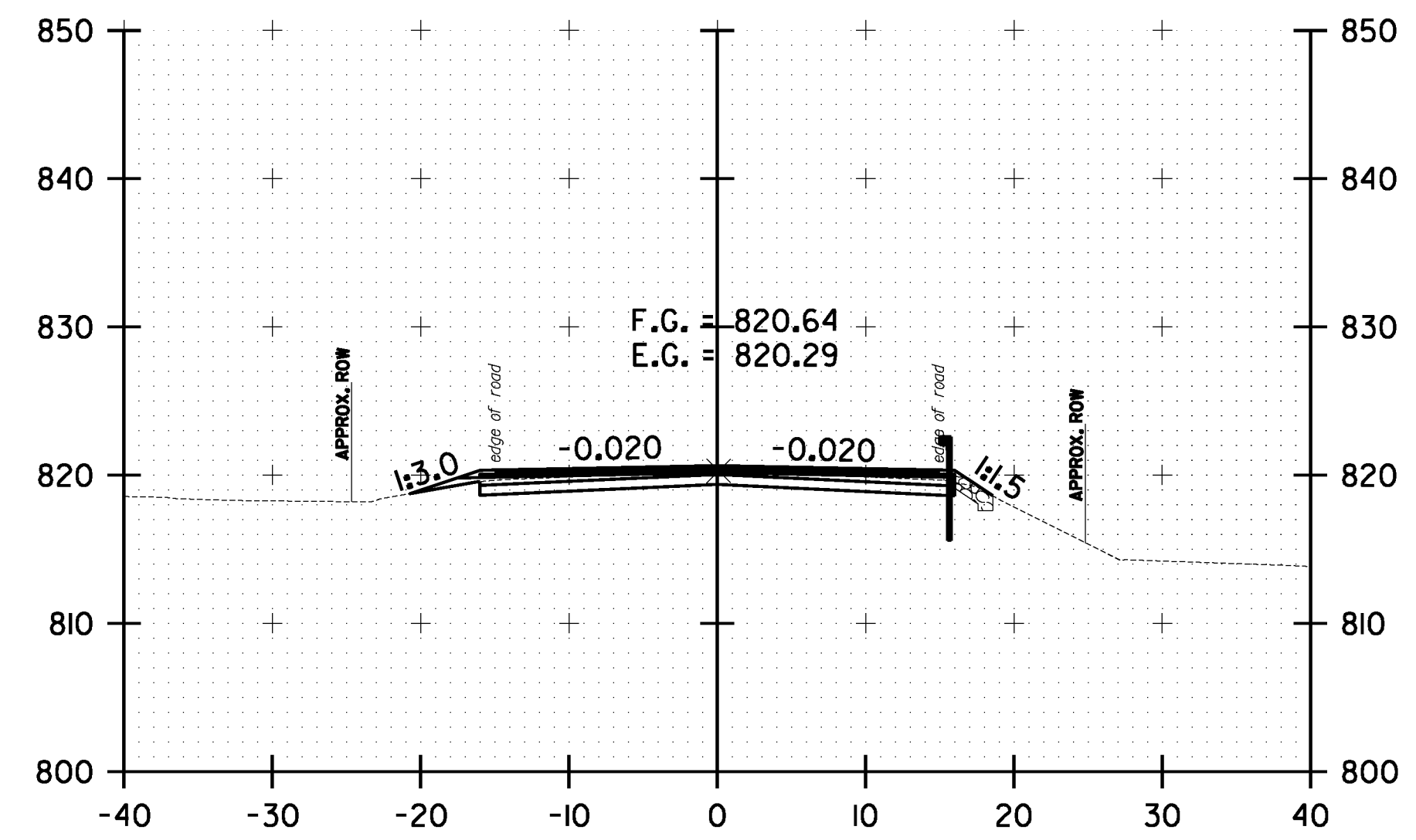
FILE NAME: U:\1762\CA00\MST\STP_2506\p05b048.Convect.Plan.dgn
 DATE/TIME: 12/20/2012
 USER: 4866



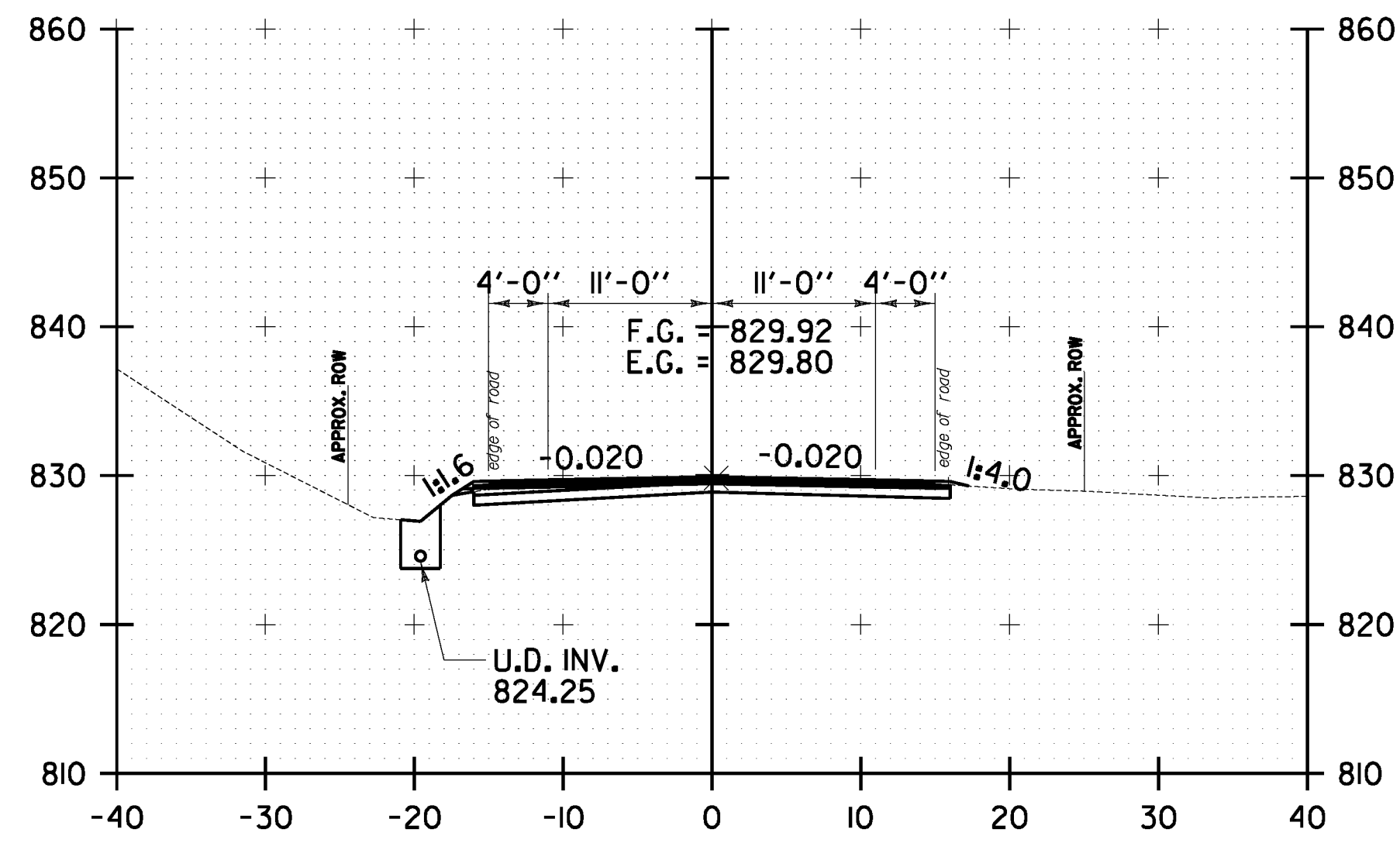
269+50.00



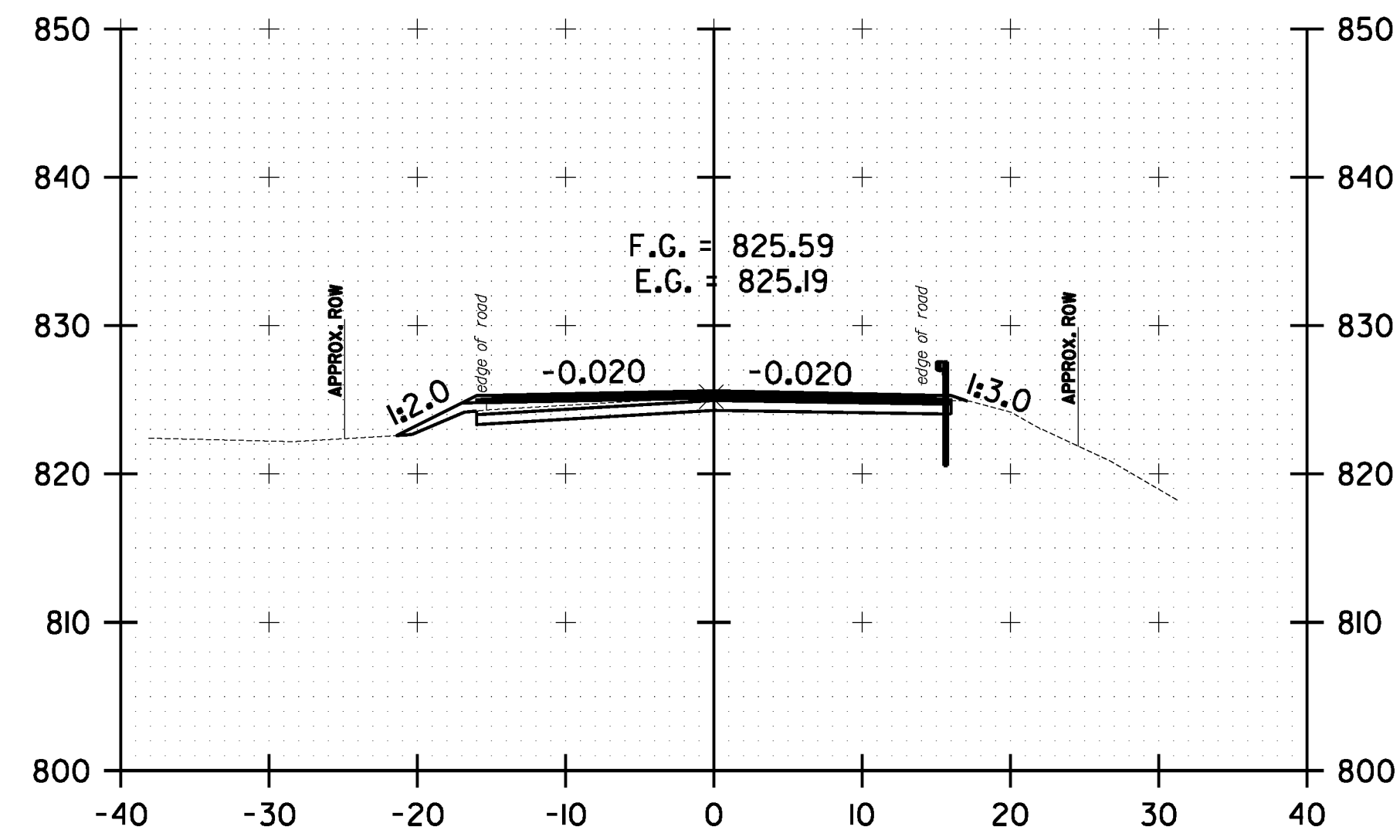
270+50.00



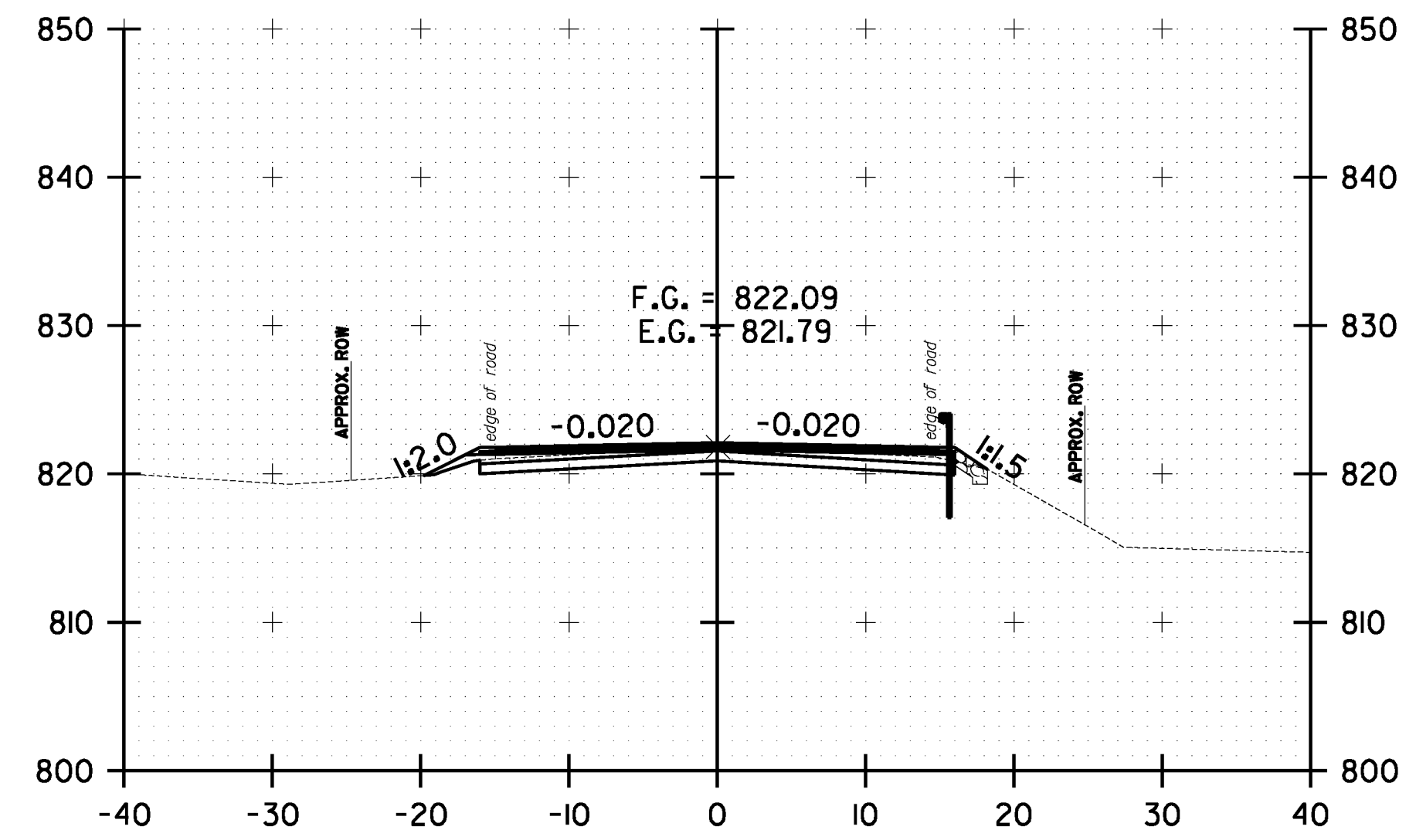
271+50.00



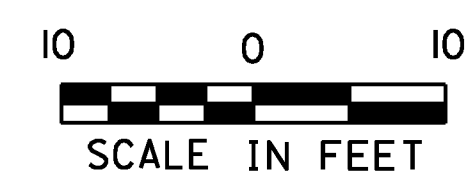
269+00.00



270+00.00



271+00.00



**WARREN
 CROSS SECTION
 SHEET #73**

PROJECT NAME: WARREN-WAITSFIELD

PROJECT NUMBER: STP 2506(1)

FILE NAME: p05b048.dgn

PROJECT LEADER: D.E.G.

DESIGNED BY: M.J.M.

IPARM FILE: p05b048xs73.1

PLOT DATE: 12/20/2012

DRAWN BY: W.G.P.

CHECKED BY: D.E.G.

SHEET 236 OF 310