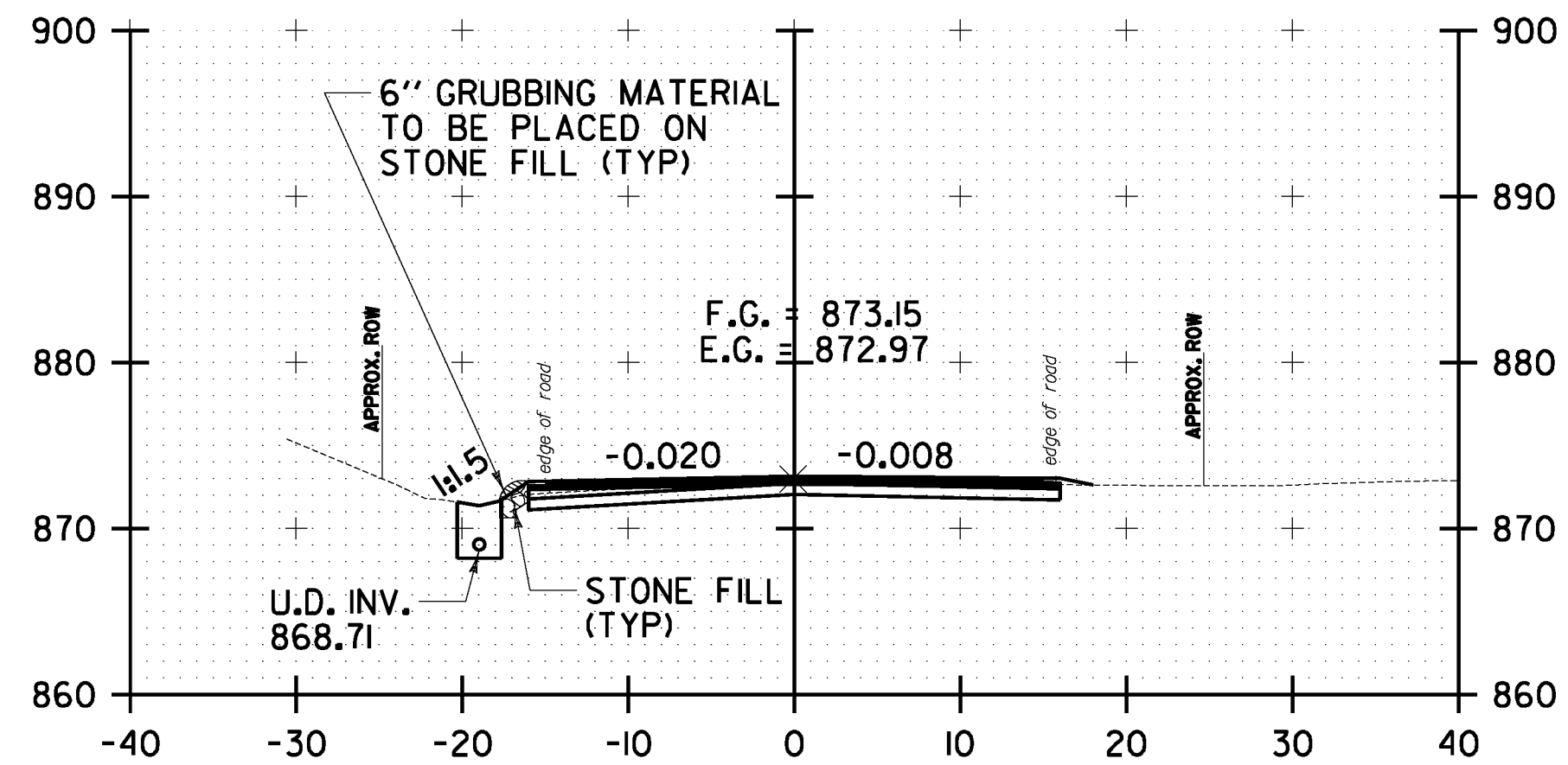
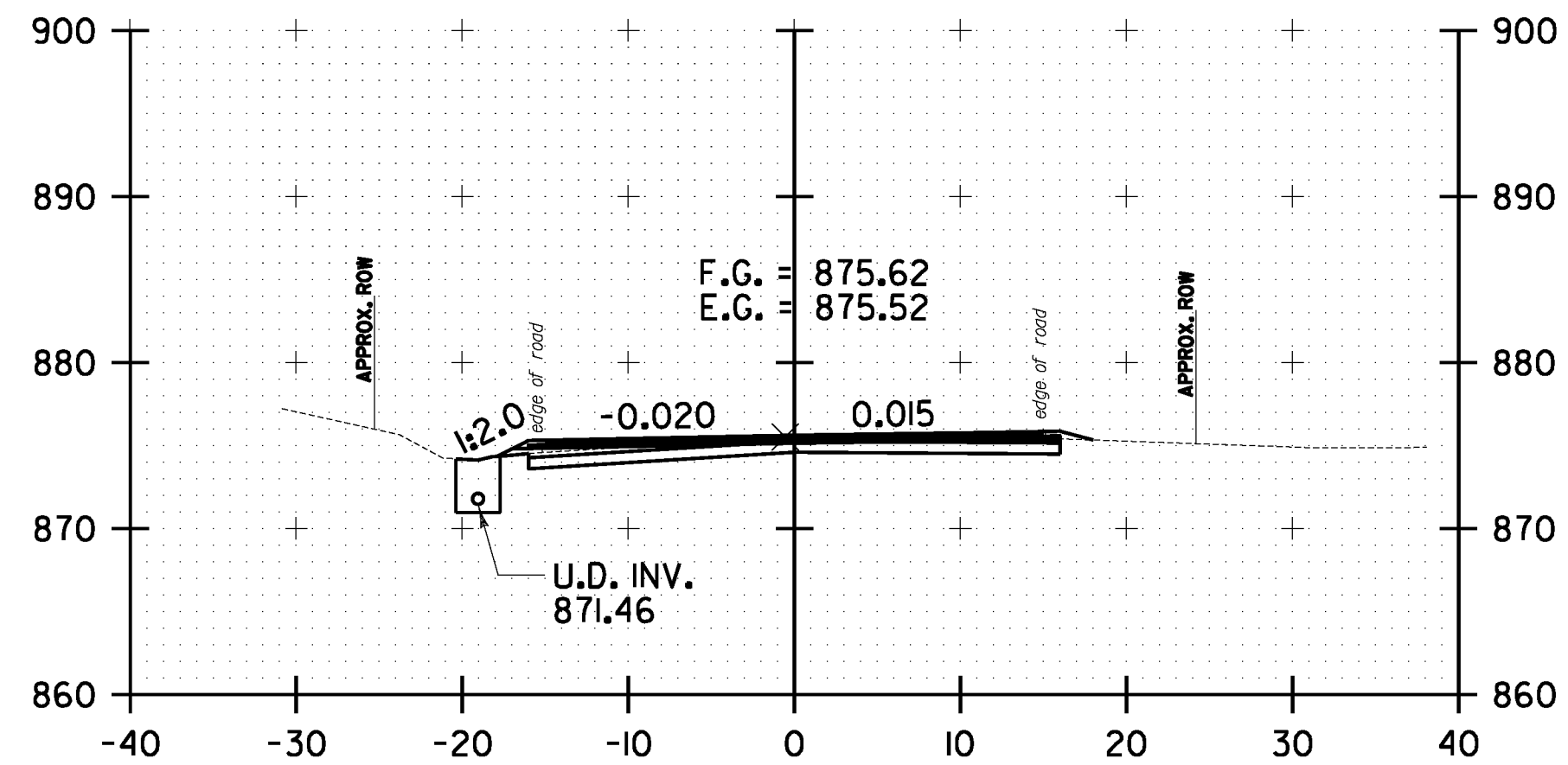


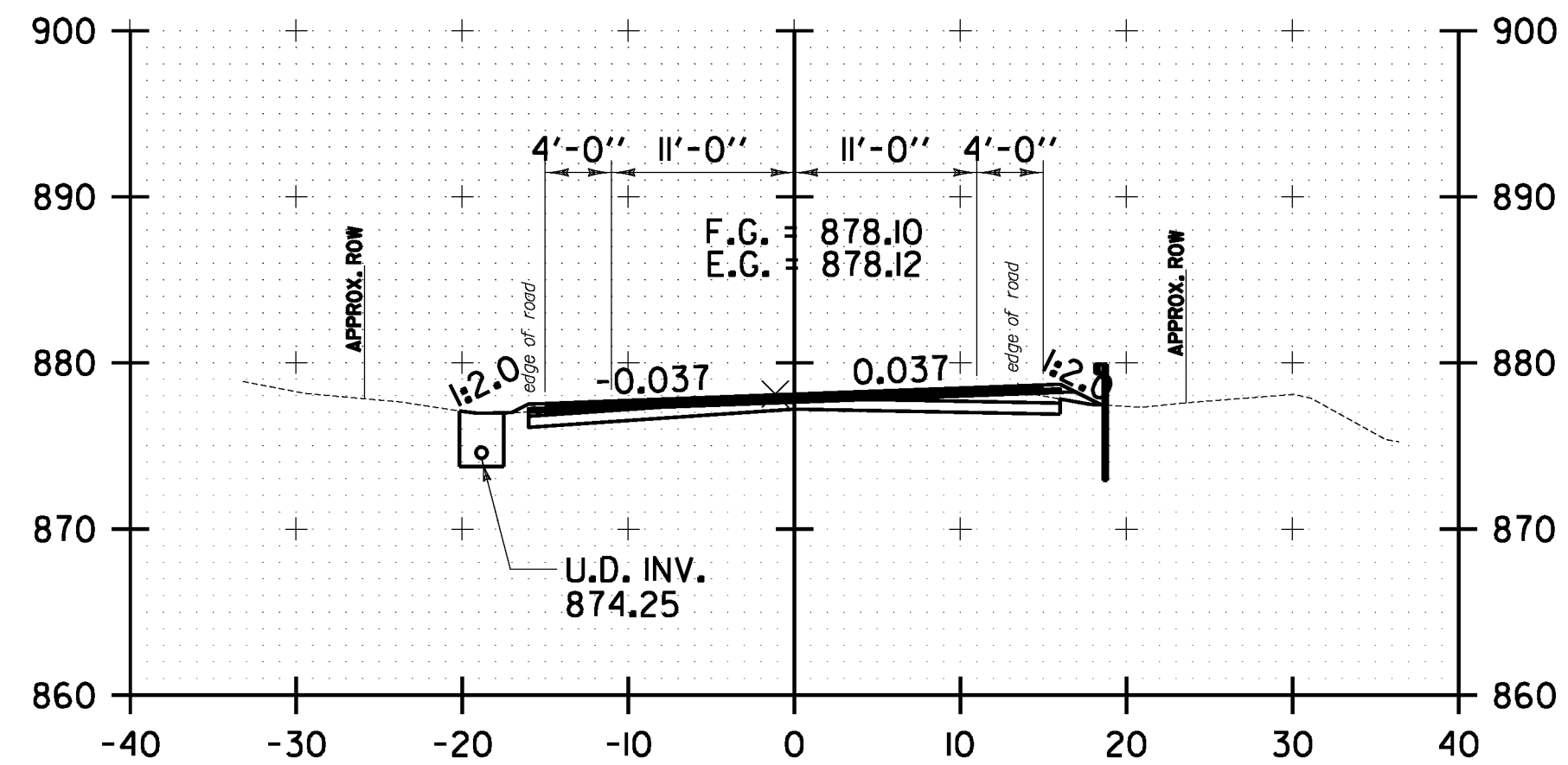
FILE NAME: U:\1762\CA00\MST\STP_2506\p05b048_Conv-eet_Plan.dgn
 DATE/TIME: 12/20/2012
 USER: 4866



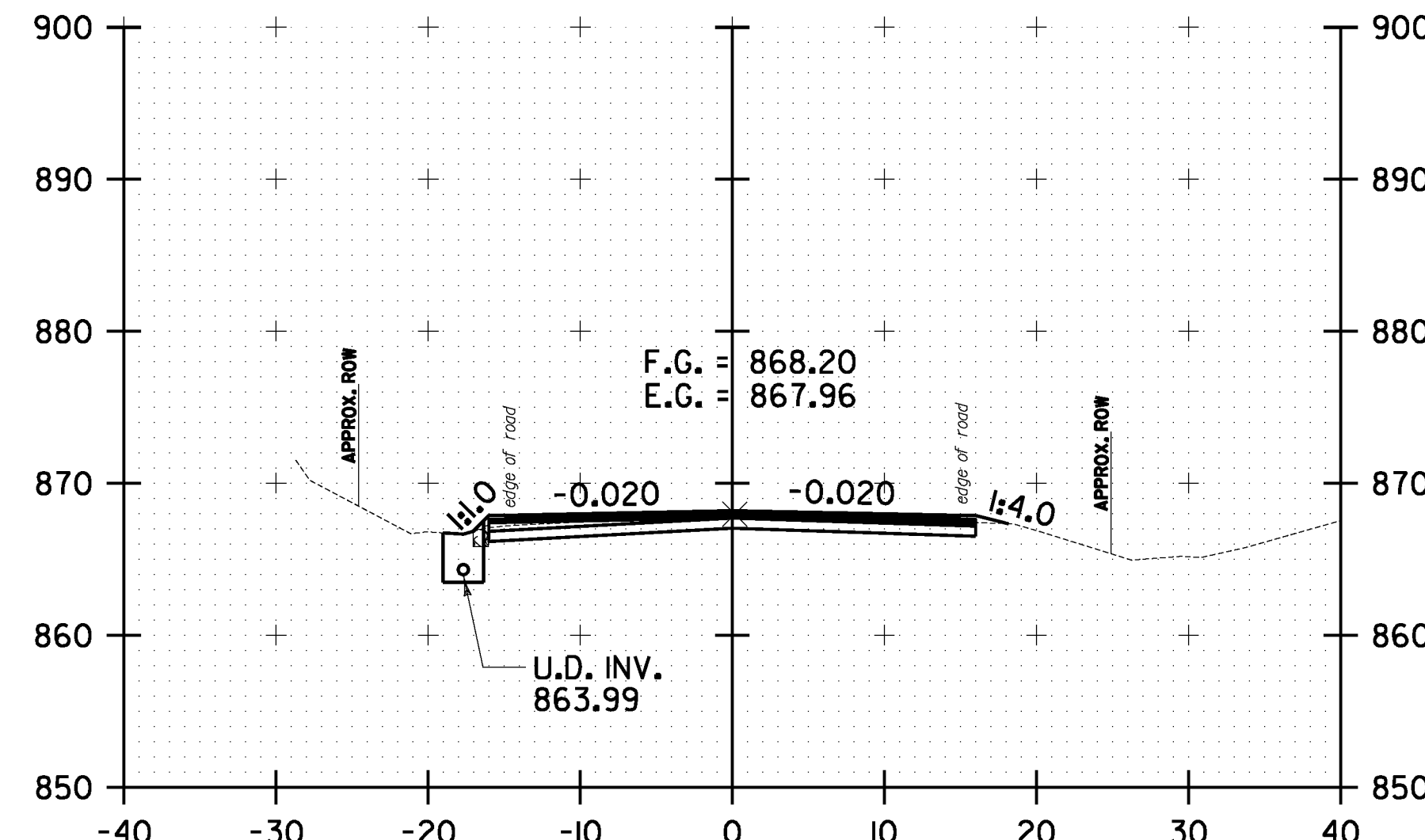
240+00.00



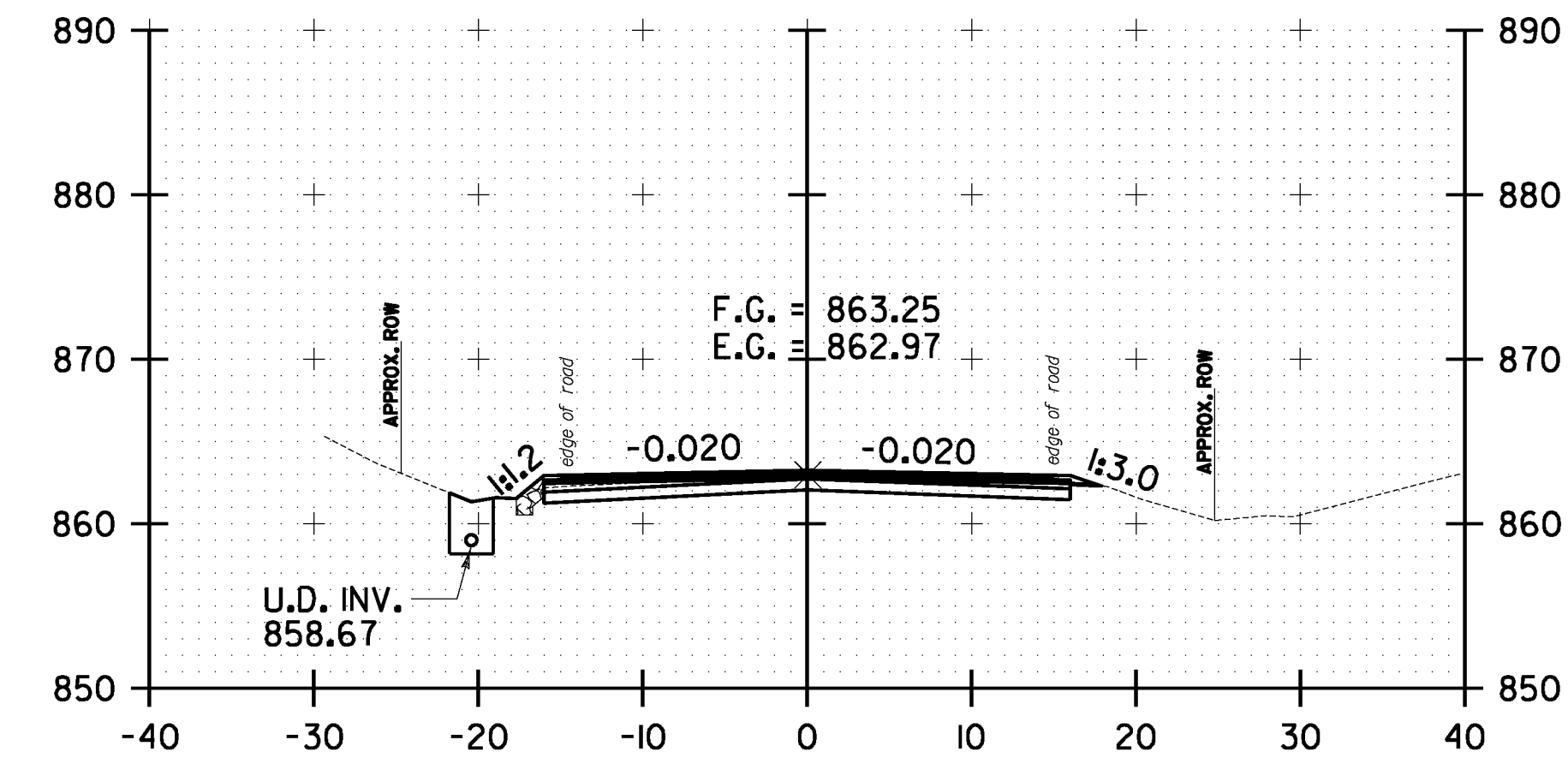
239+50.00



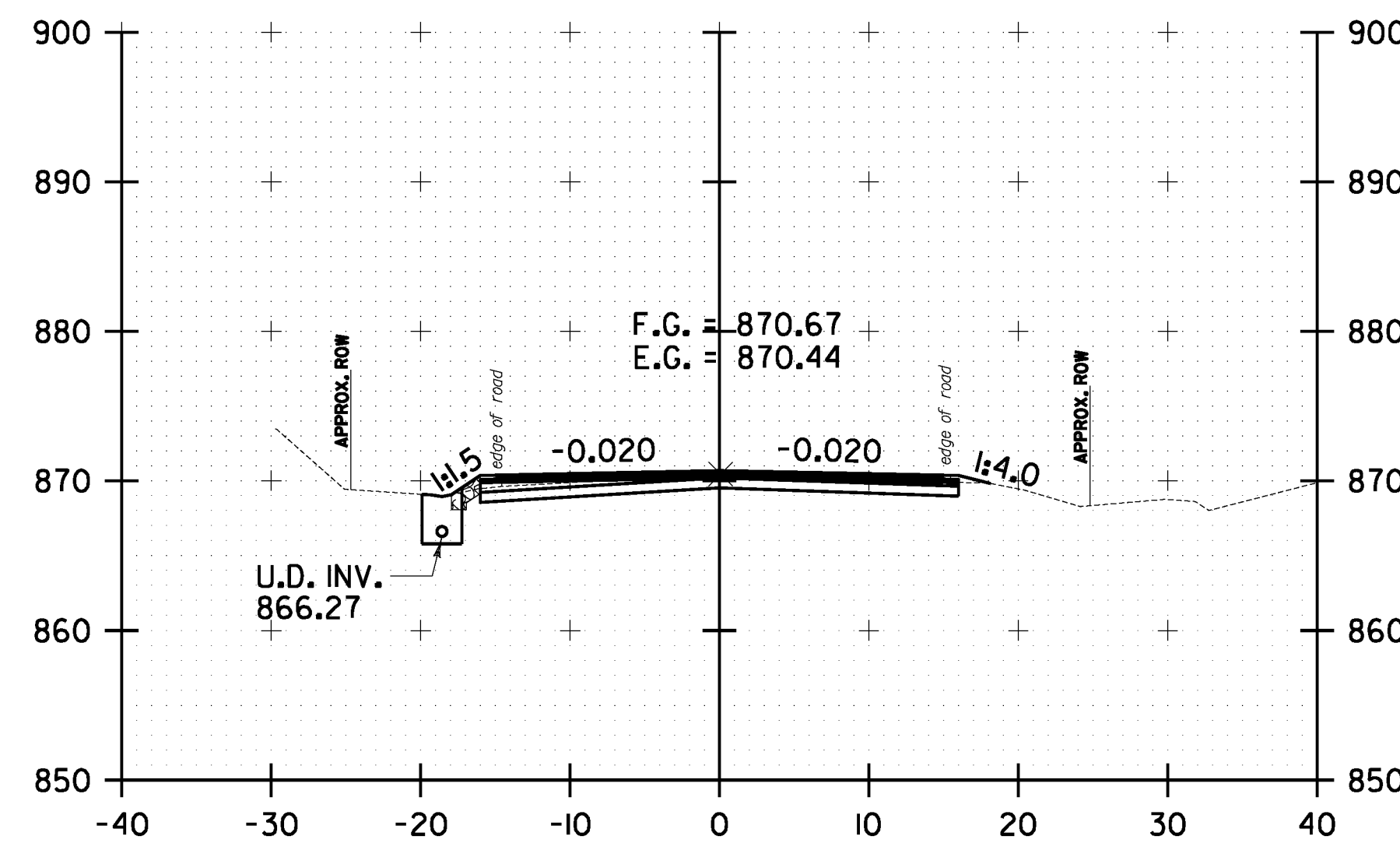
239+00.00



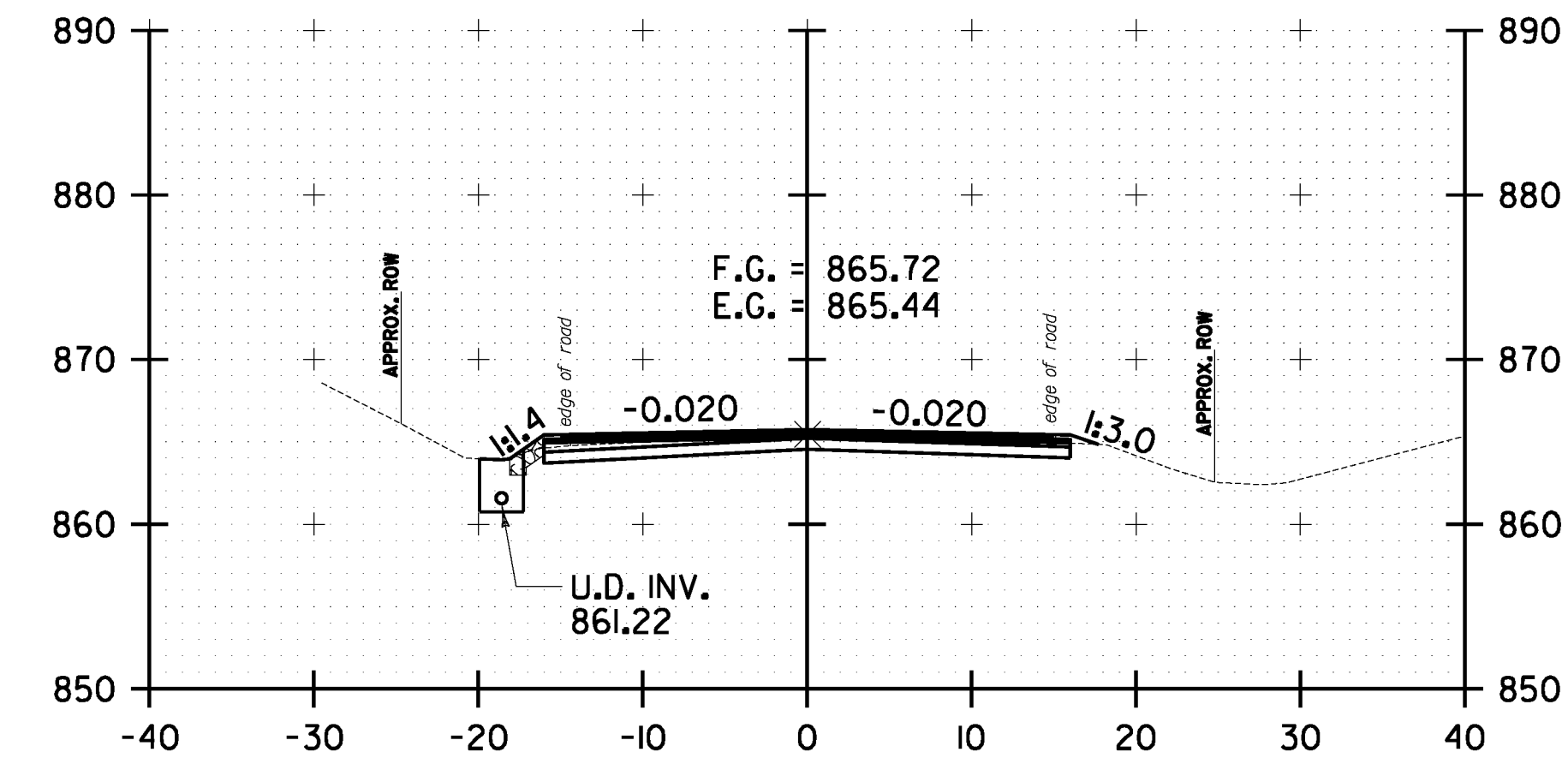
241+00.00



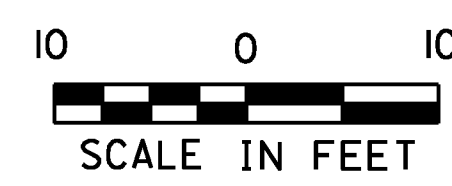
242+00.00



240+50.00



241+50.00



**WARREN
 CROSS SECTION
 SHEET #64**

PROJECT NAME: WARREN-WAITSFIELD	PLOT DATE: 12/20/2012
PROJECT NUMBER: STP 2506(1)	DRAWN BY: W.G.P.
FILE NAME: p05b048.dgn	CHECKED BY: D.E.G.
PROJECT LEADER: D.E.G.	SHEET 227 OF 310
DESIGNED BY: M.J.M.	
IPARM FILE: p05b048xs64.1	