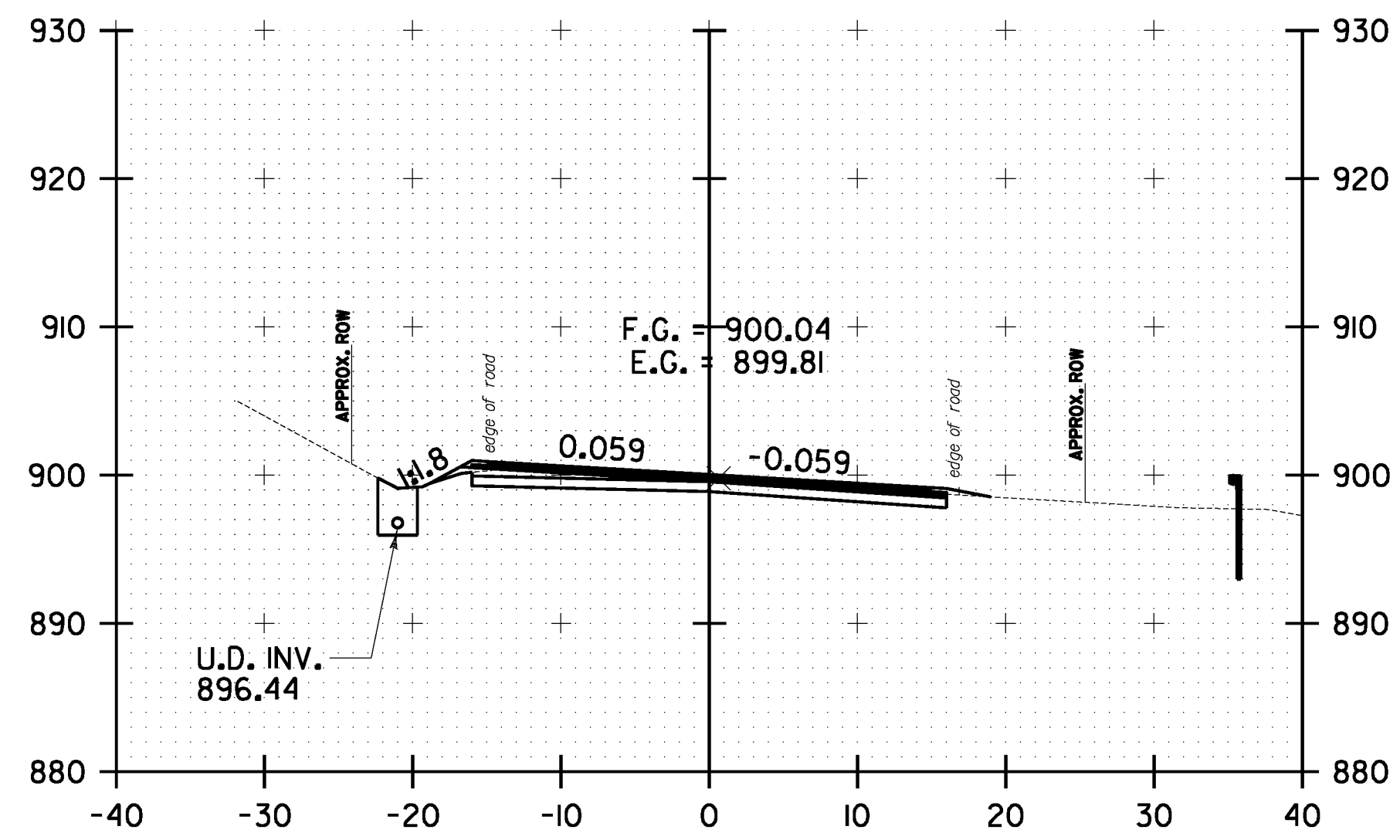
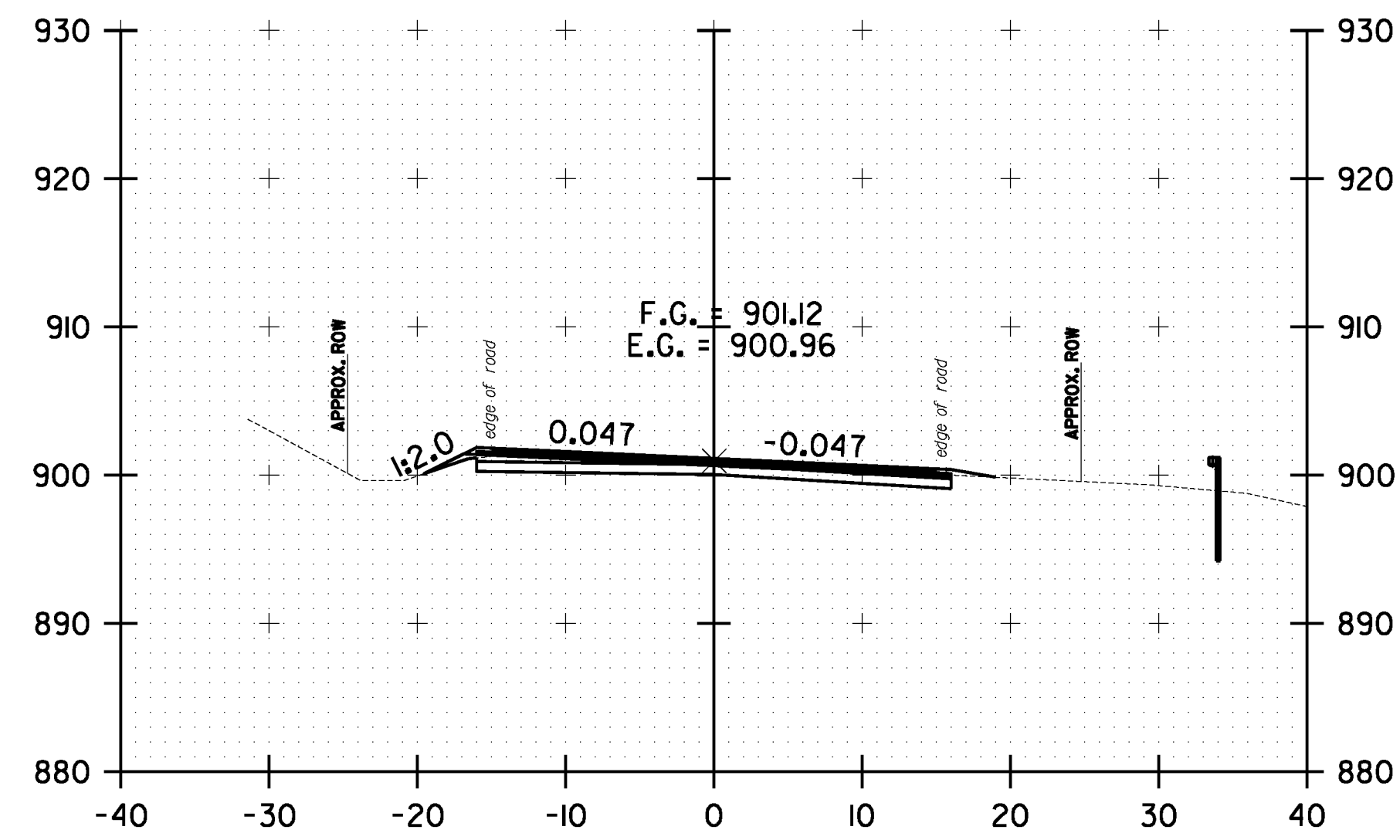


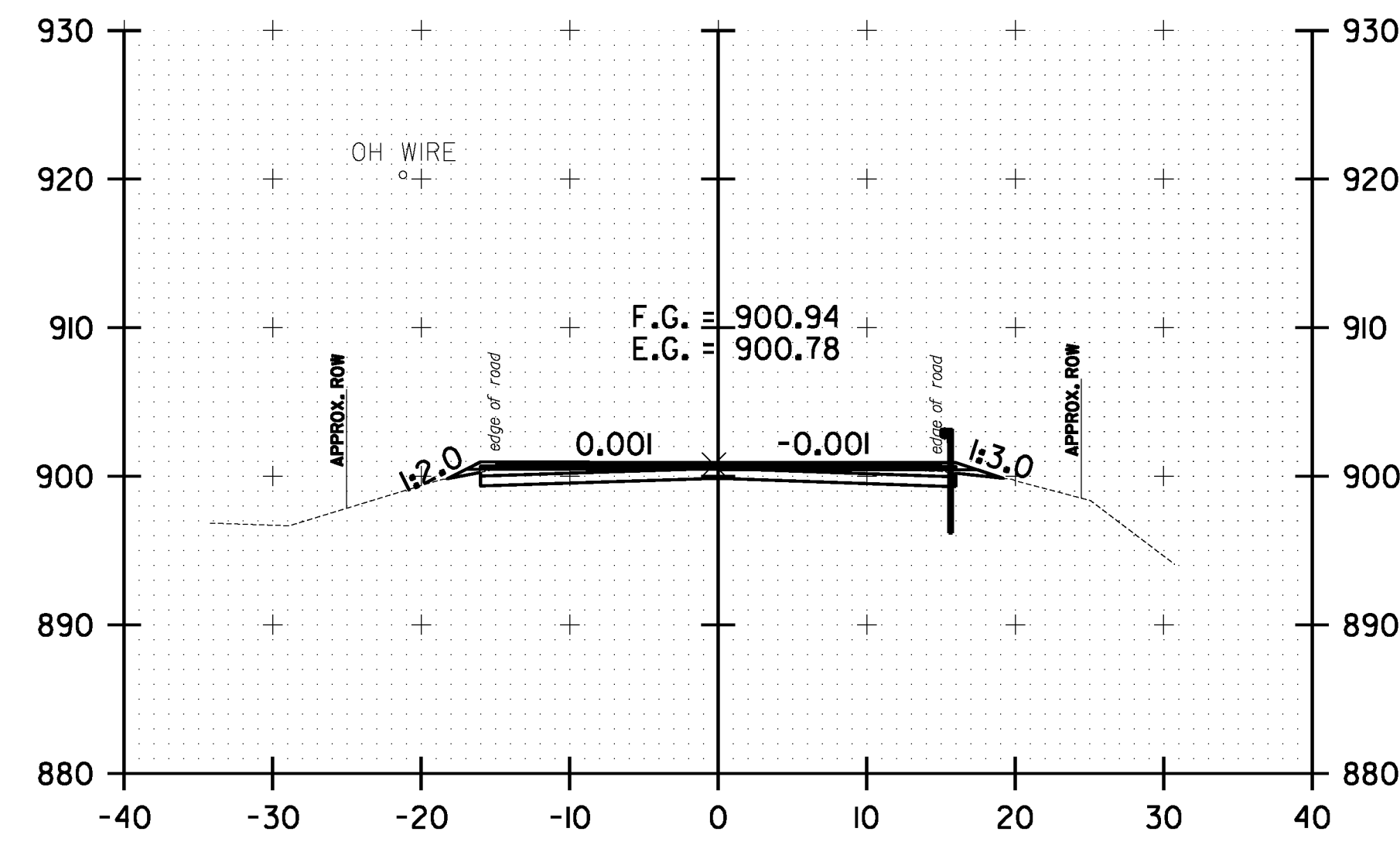
FILE NAME = U:\1762\CA00\MST\STP_2506\p05b048_Conv.eas_Plan.dgn
 DATE/TIME = 12/20/2012
 USER = 4866



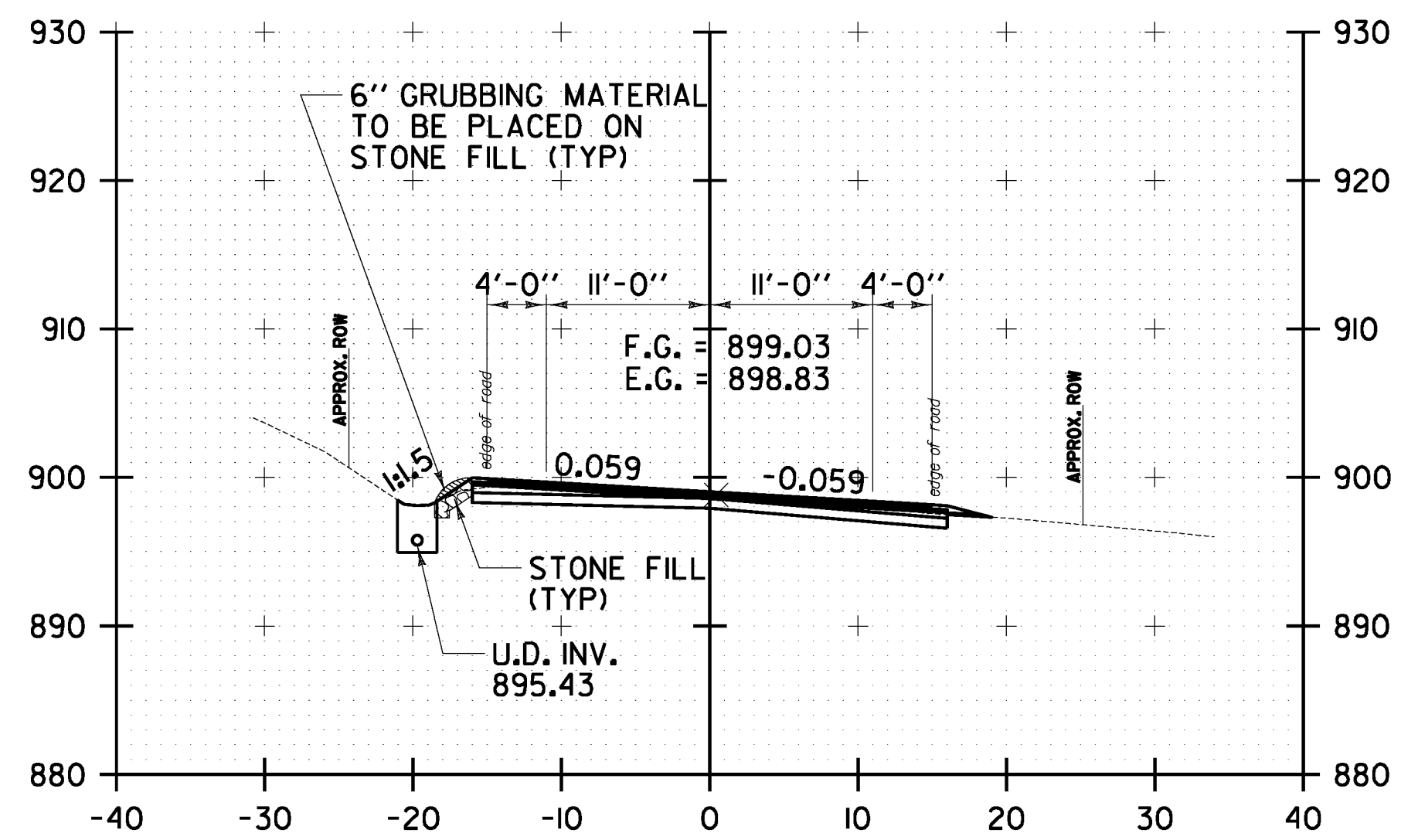
227+50.00



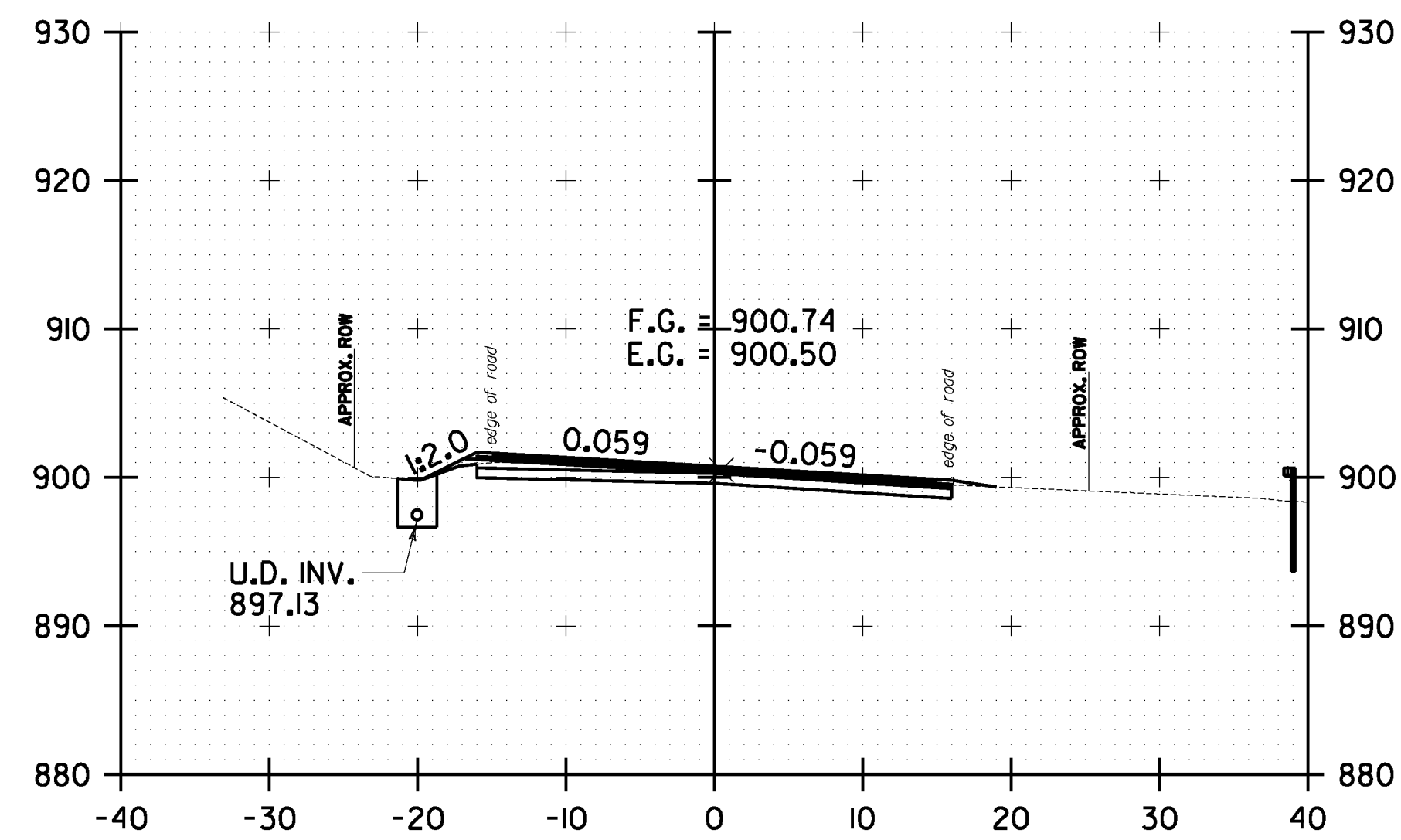
228+50.00



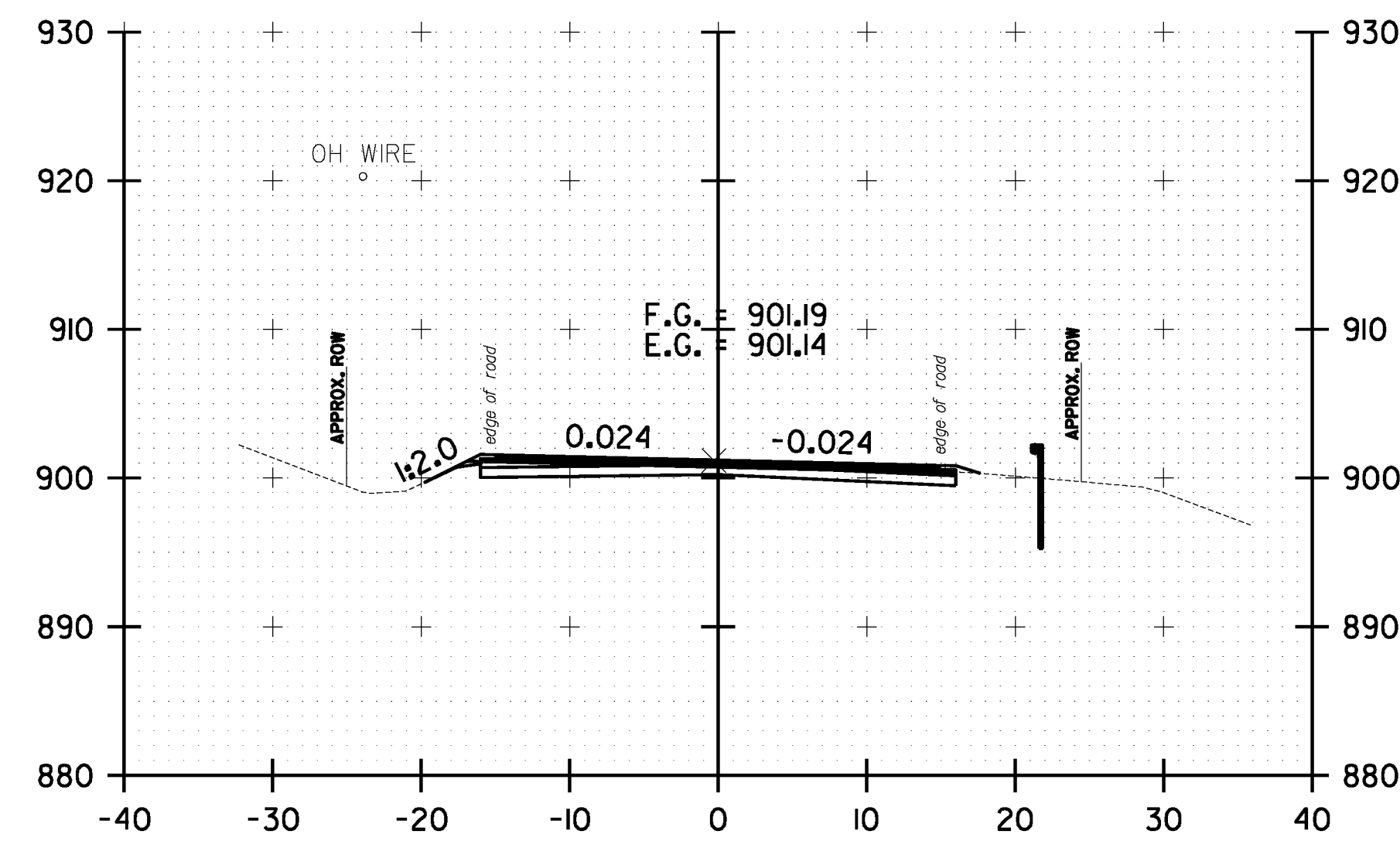
229+50.00



227+00.00



228+00.00



229+00.00



**WARREN
 CROSS SECTION
 SHEET #60**

PROJECT NAME: WARREN-WAITSFIELD

PROJECT NUMBER: STP 2506(1)

FILE NAME: p05b048.dgn

PROJECT LEADER: D.E.G.

DESIGNED BY: M.J.M.

IPARM FILE: p05b048xs60.l

PLOT DATE: 12/20/2012

DRAWN BY: W.G.P.

CHECKED BY: D.E.G.

SHEET 223 OF 310