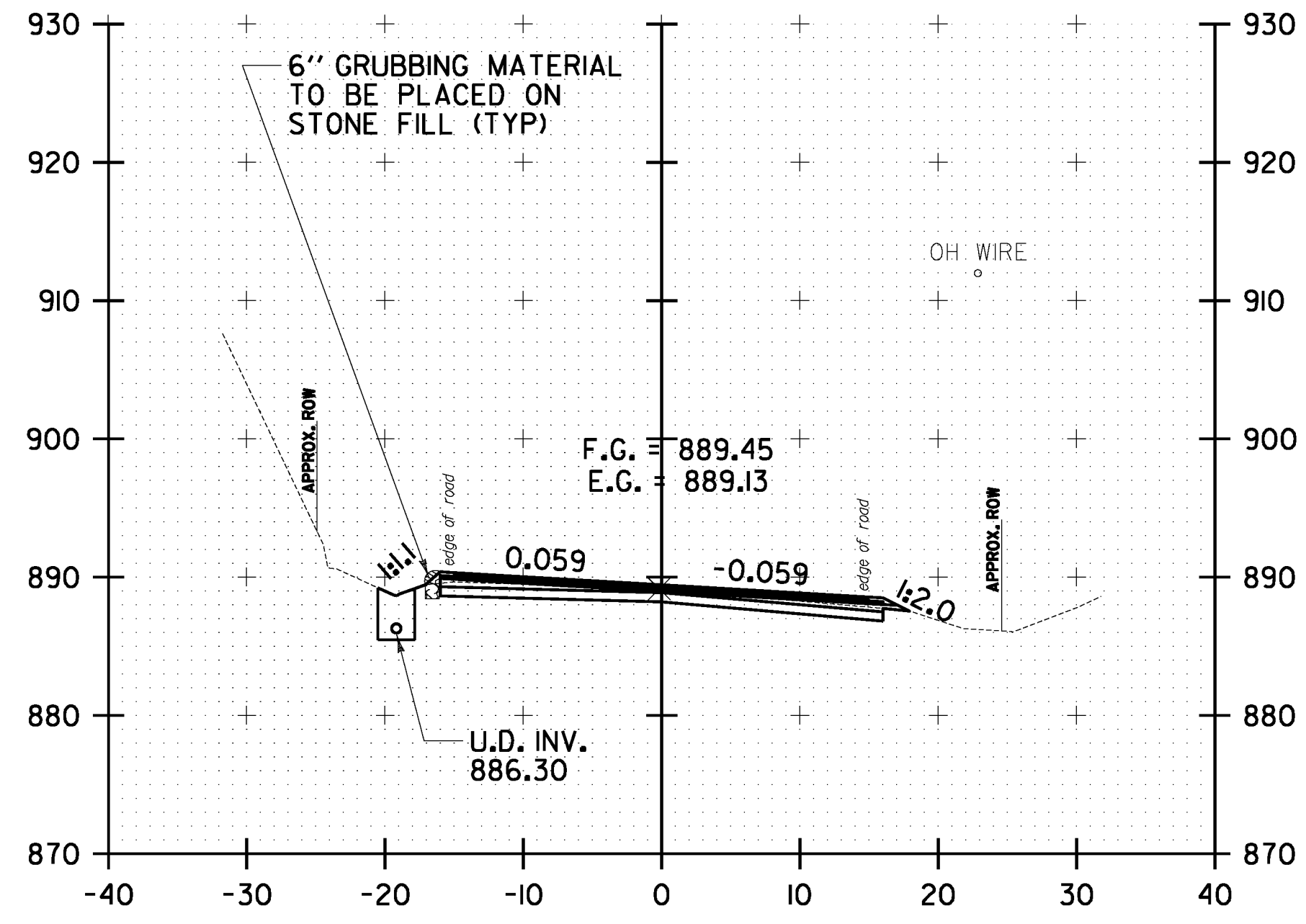
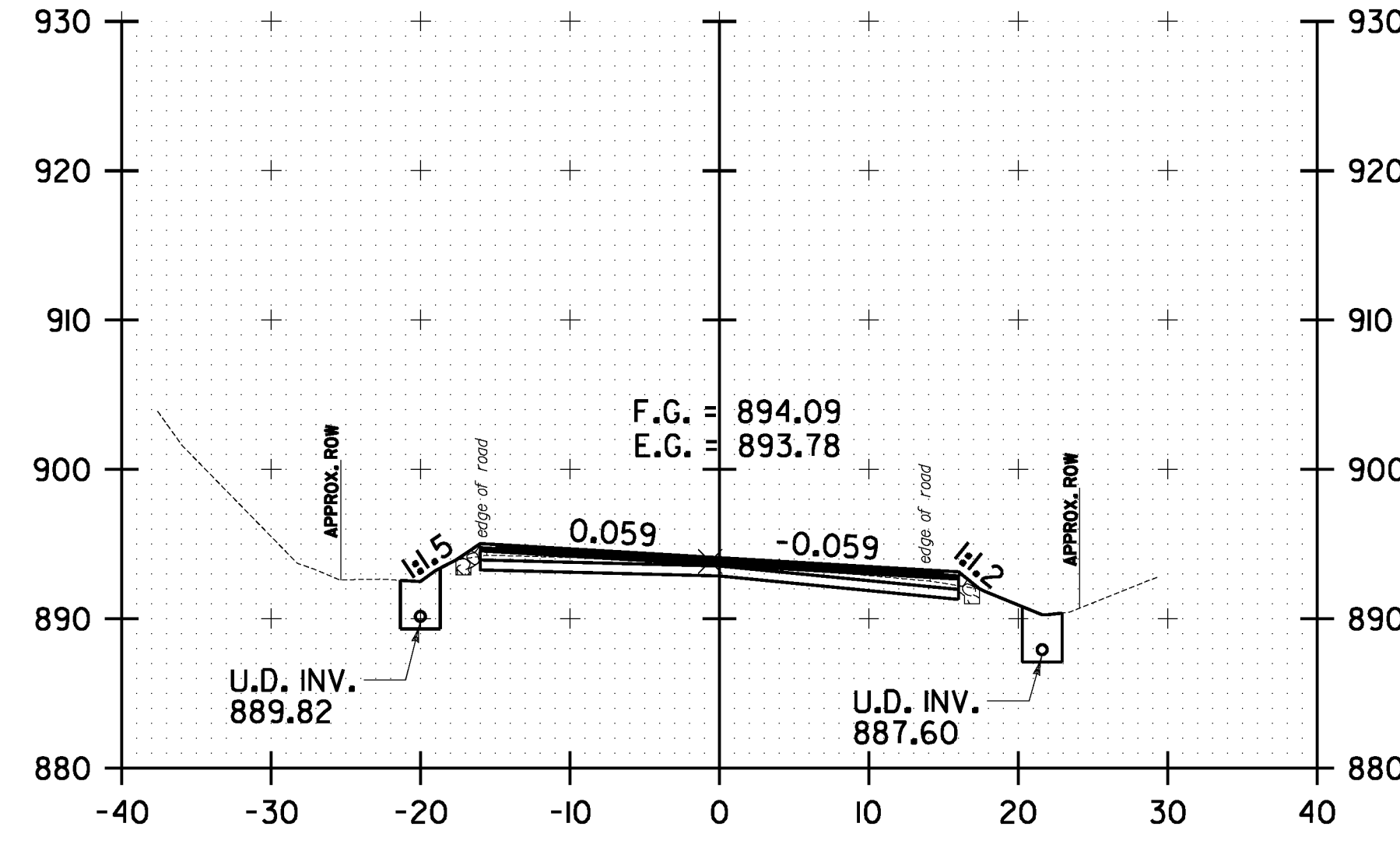


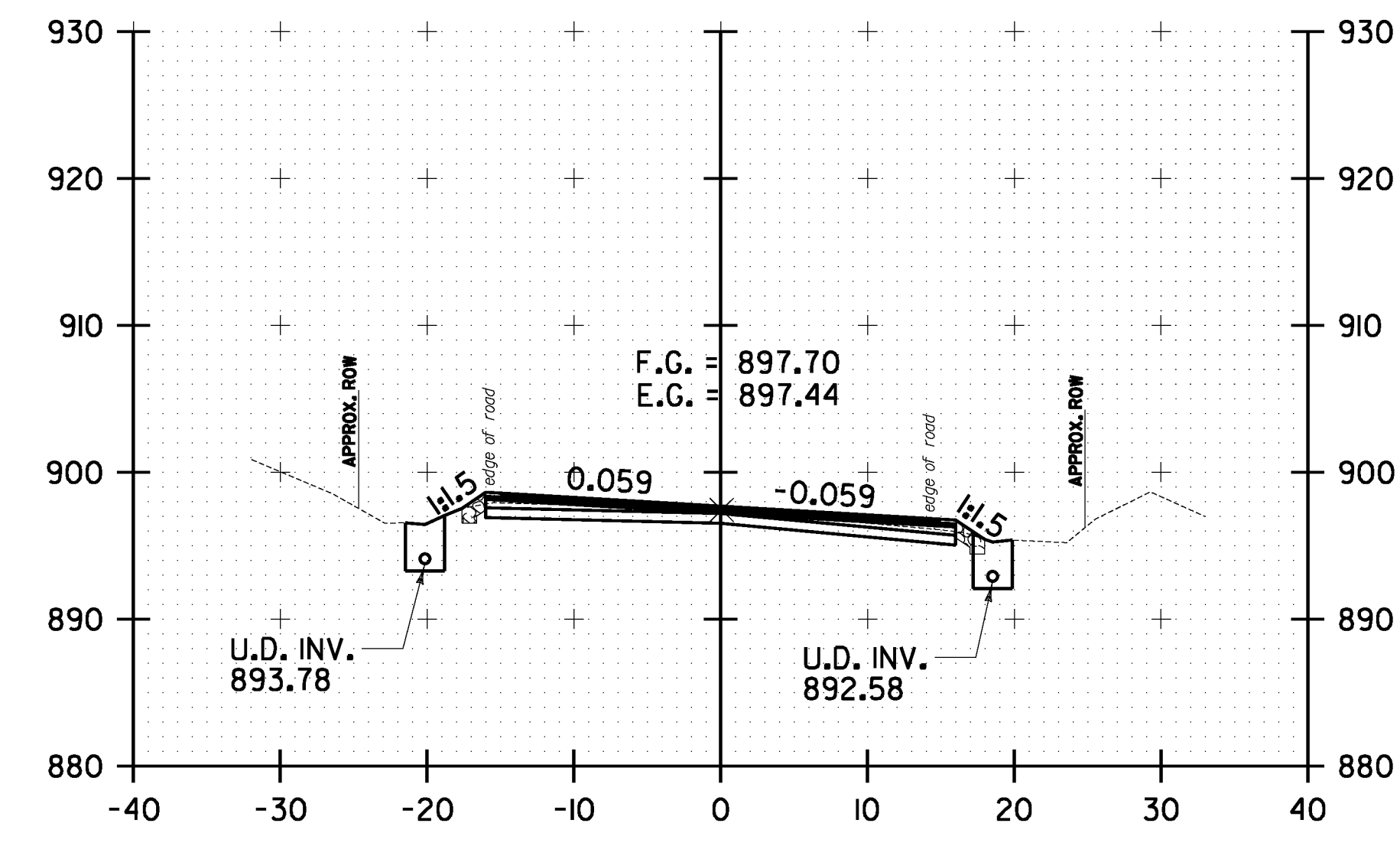
FILE NAME: U:\1762\CA00\MST\STP\_2506\p05b048\_Conv.eest\_Plan.dgn  
 DATE/TIME: 12/20/2012  
 USER: 4866



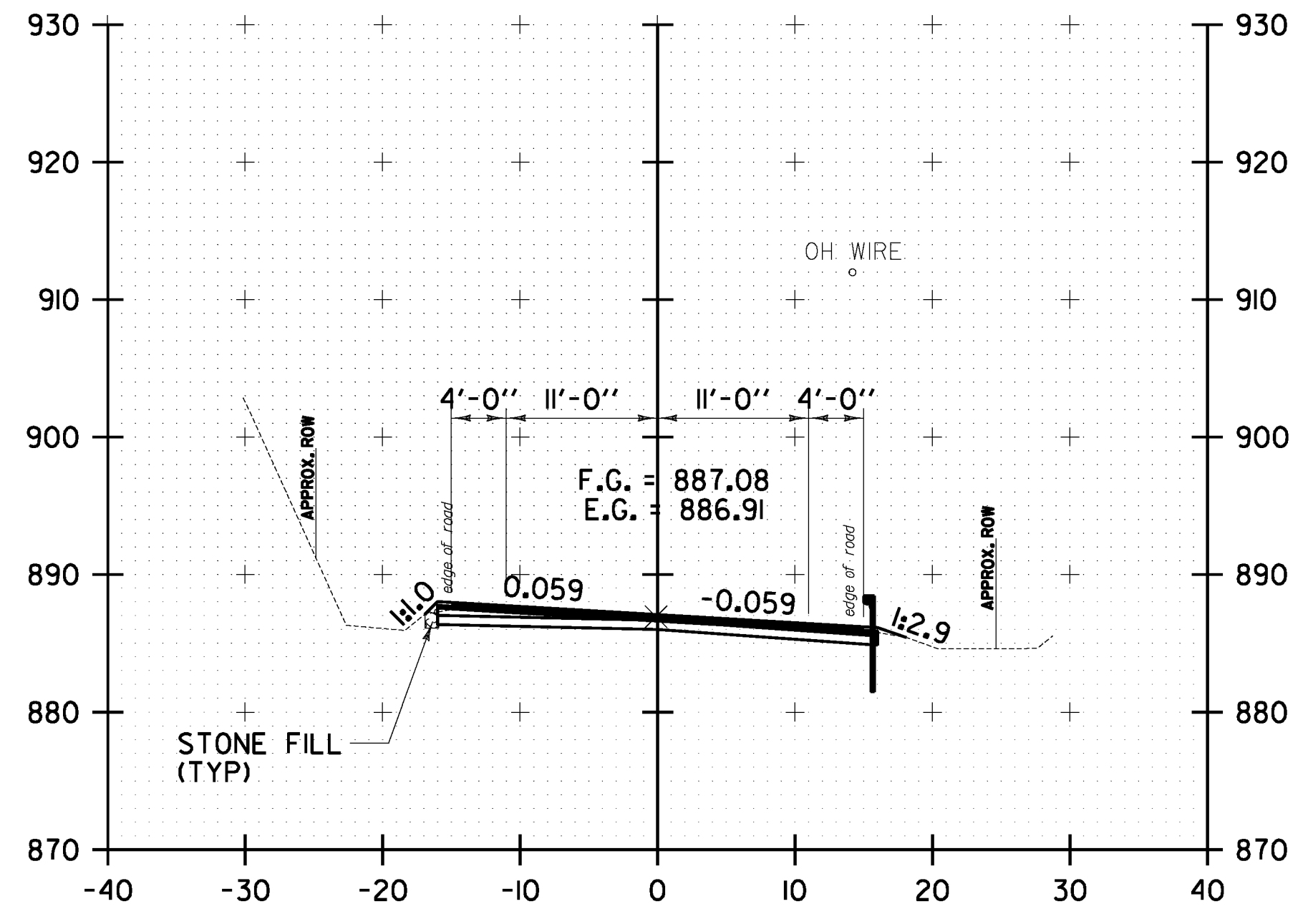
224+50.00



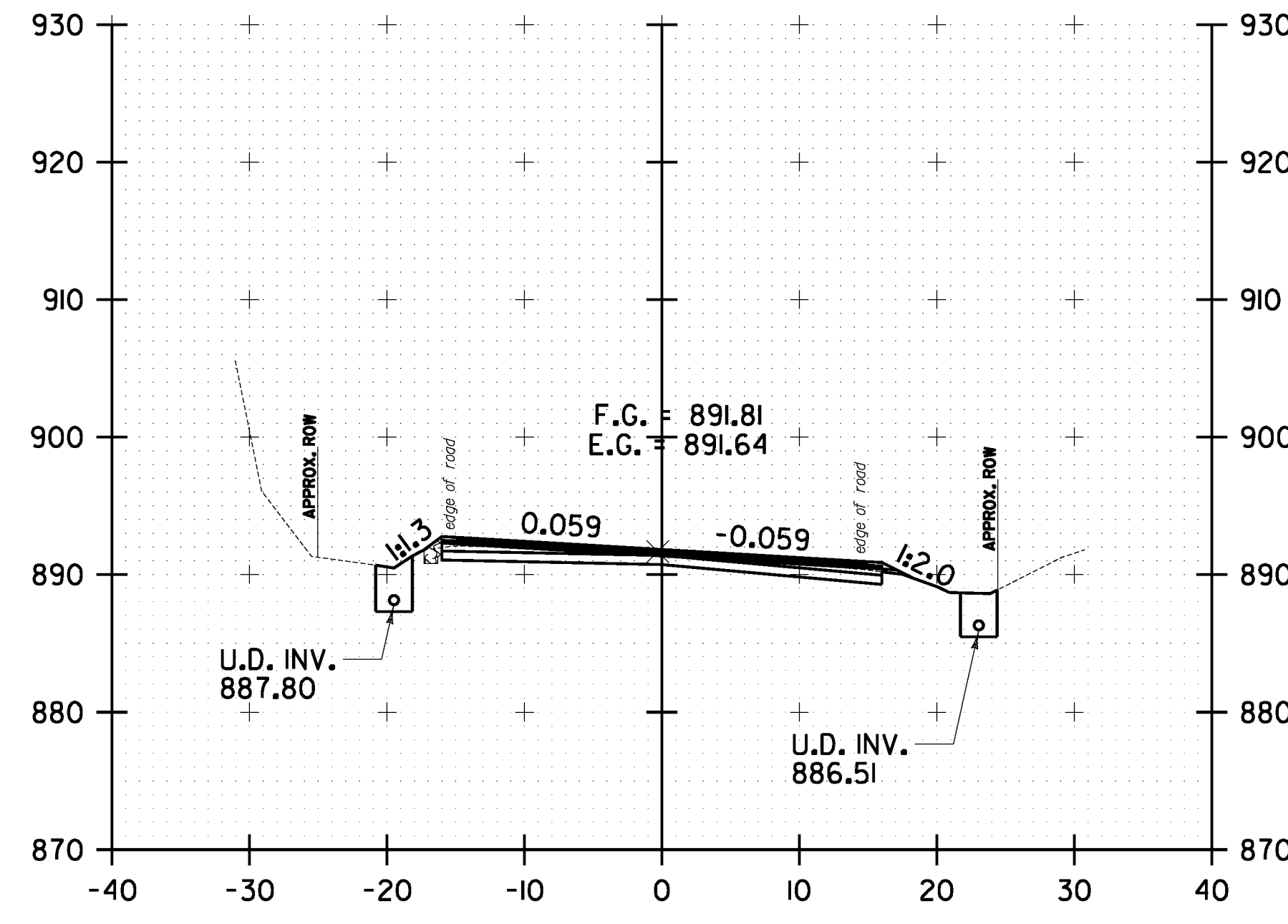
225+50.00



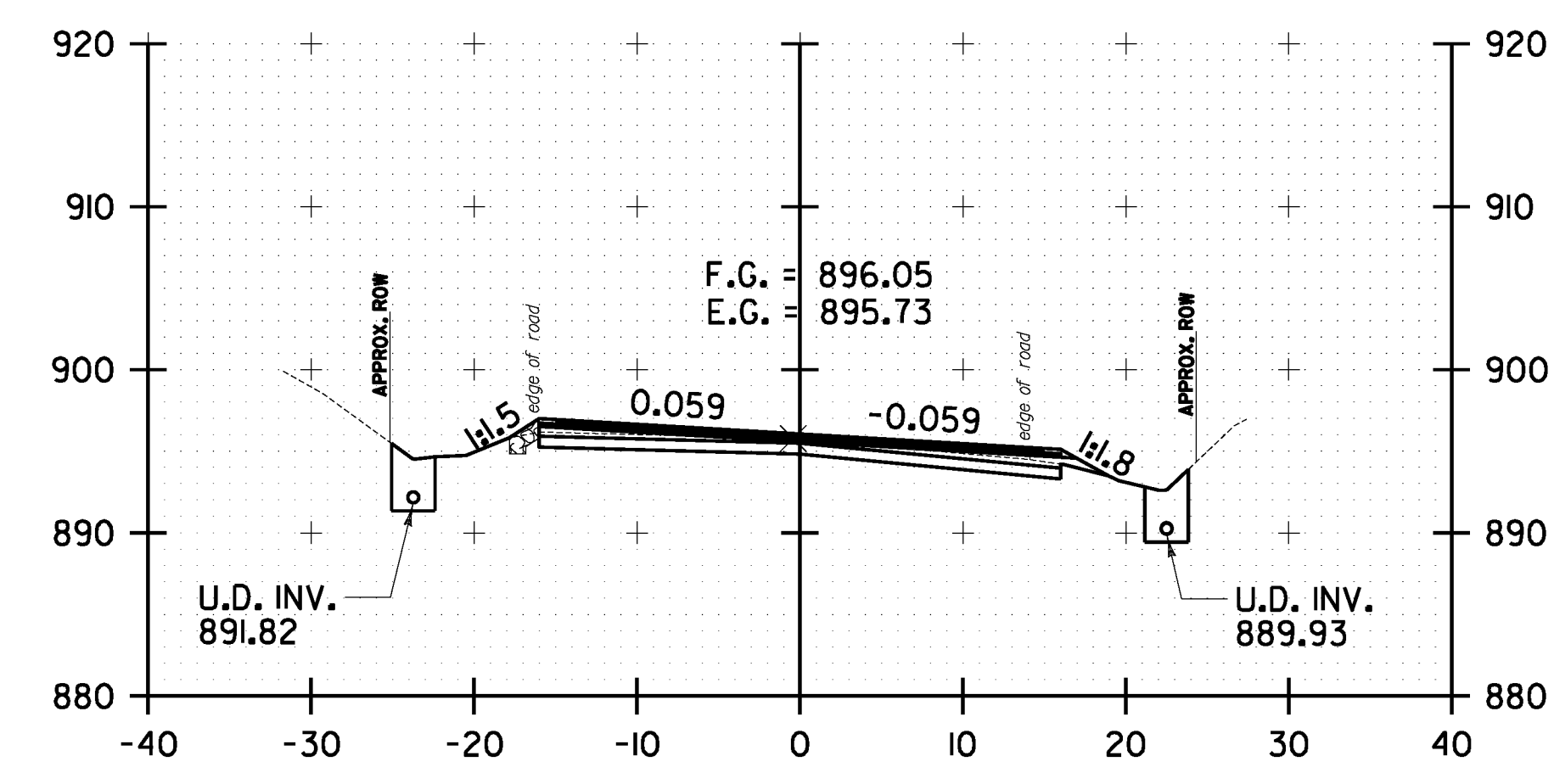
226+50.00



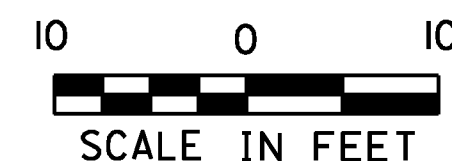
224+00.00



225+00.00



226+00.00



SCALE IN FEET

**WARREN  
 CROSS SECTION  
 SHEET #59**

PROJECT NAME: WARREN-WAITSFIELD	PLOT DATE: 12/20/2012
PROJECT NUMBER: STP 2506(1)	DRAWN BY: W.G.P.
FILE NAME: p05b048.dgn	CHECKED BY: D.E.G.
PROJECT LEADER: D.E.G.	SHEET 222 OF 310
DESIGNED BY: M.J.M.	
IPARM FILE: p05b048xs59.1	