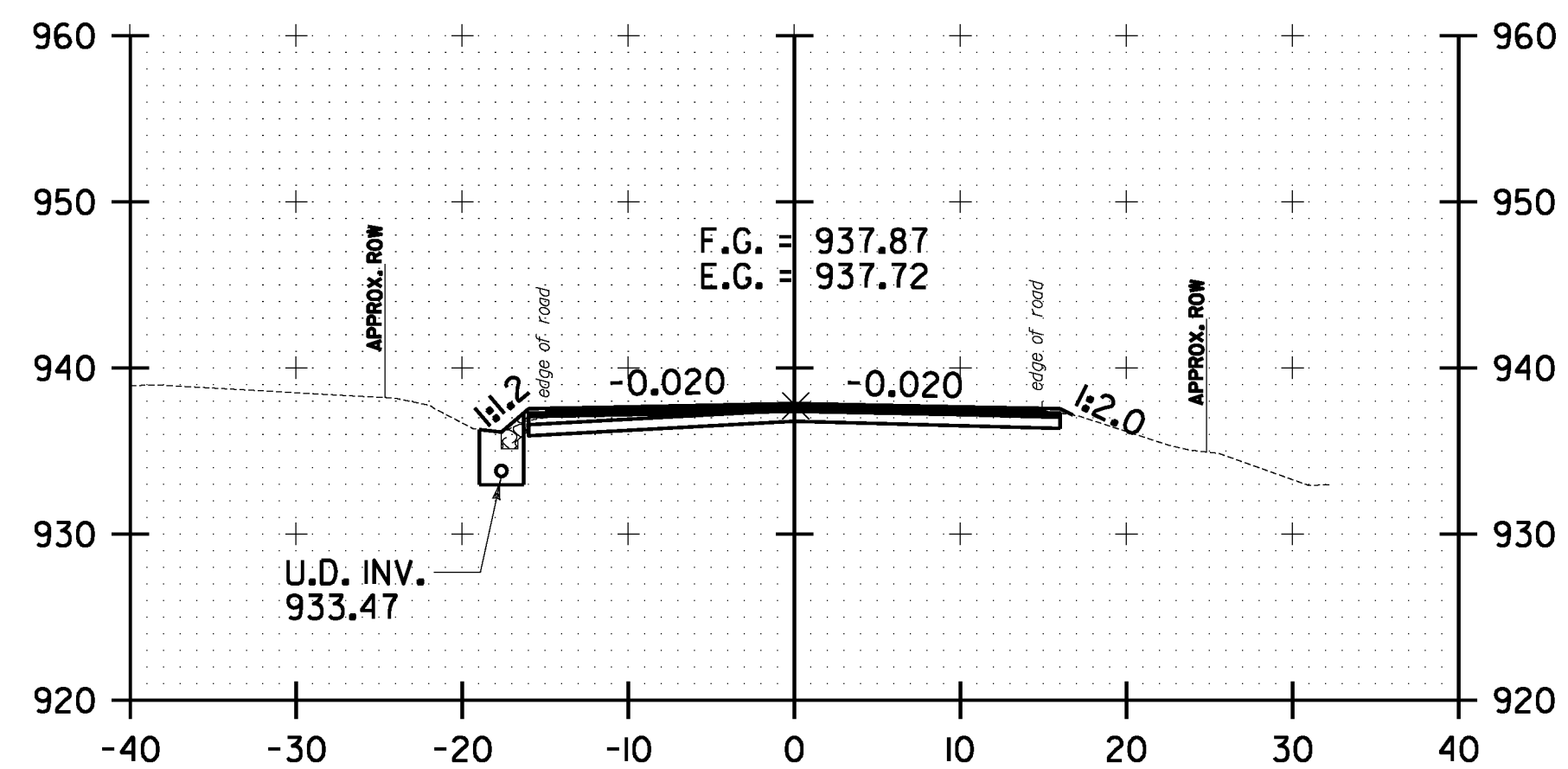
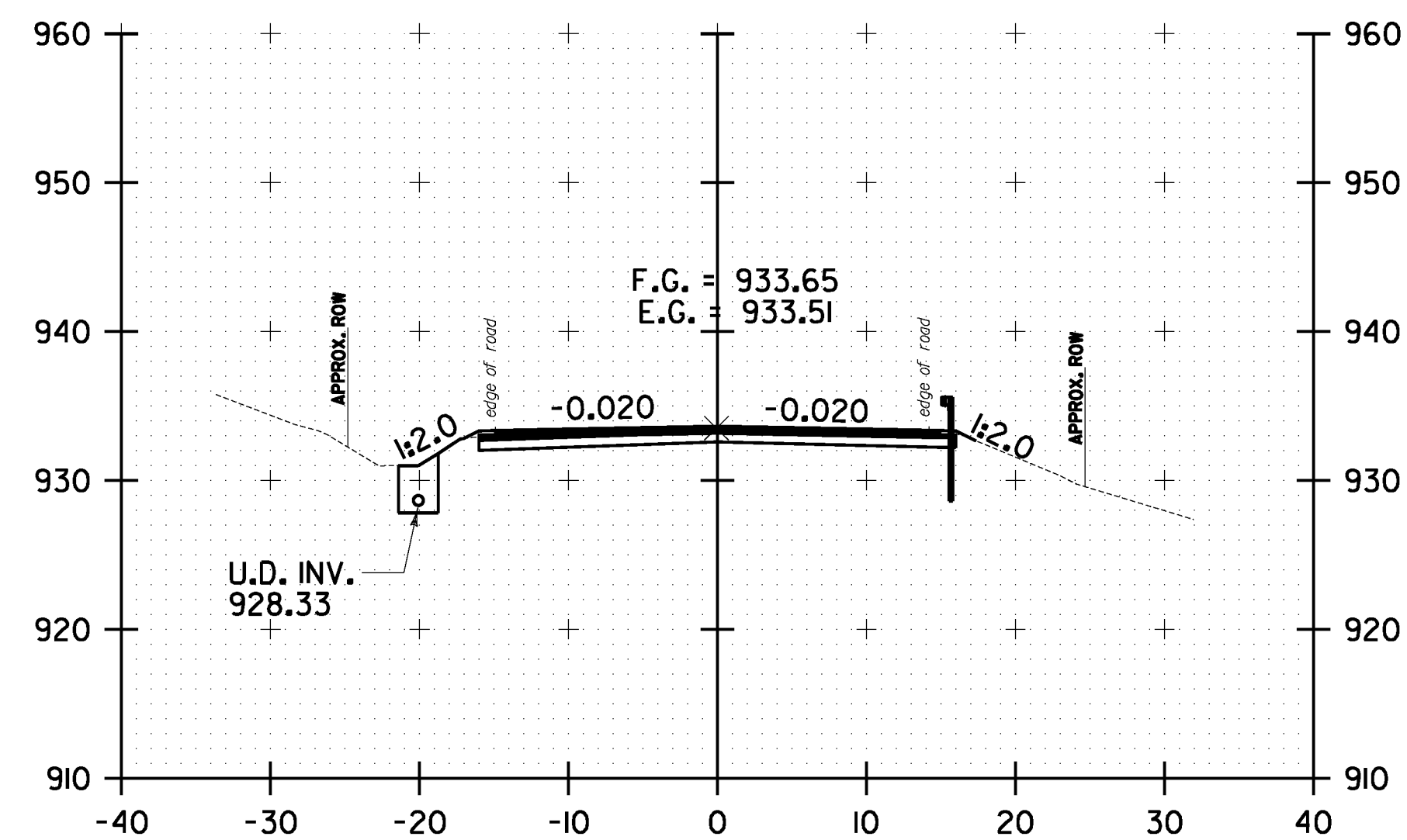


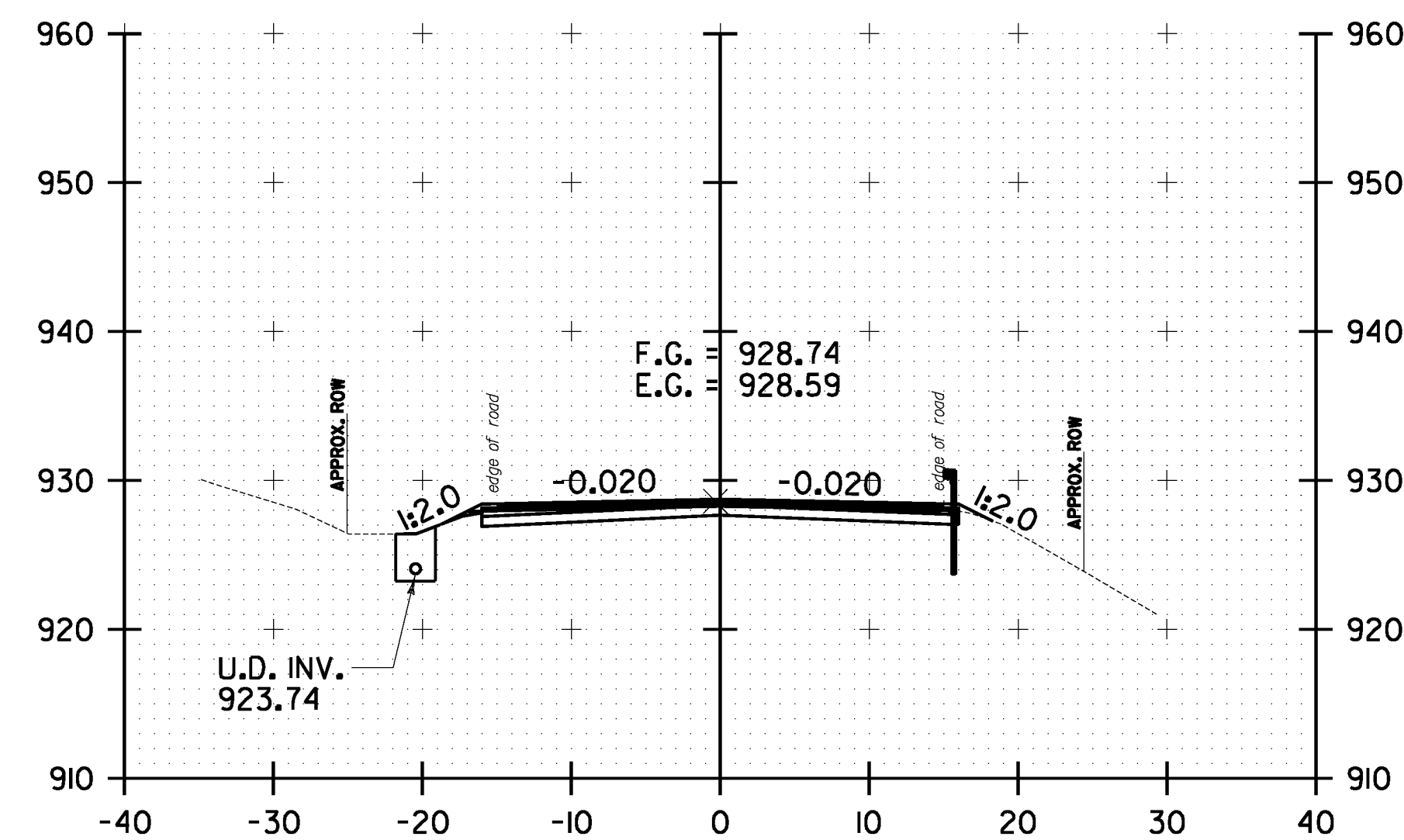
FILE NAME: U:\1762\CADD\MSTN\STP_2506\p05b048.Convect.Plan.dgn
 DATE/TIME: 12/20/2012
 USER: 4866



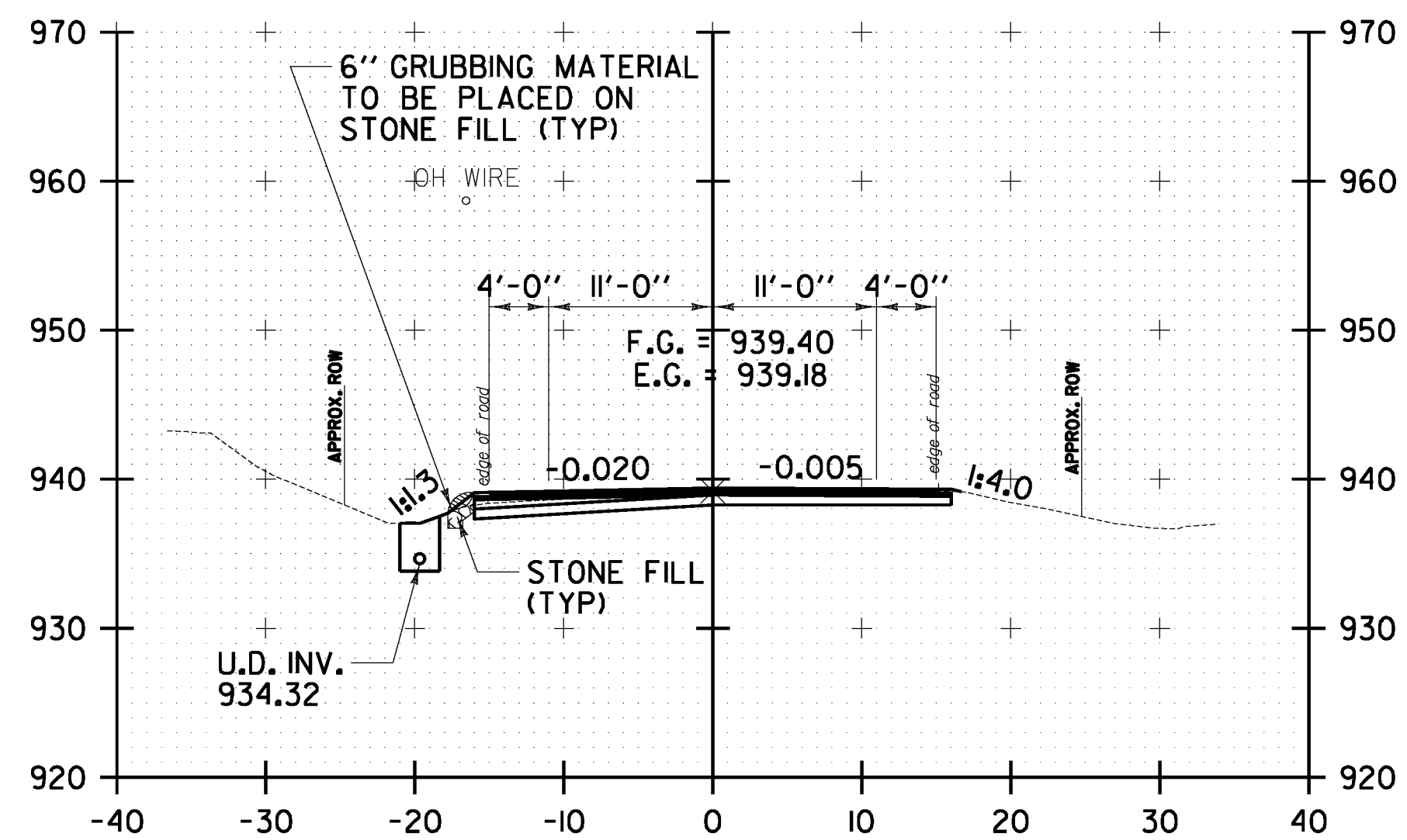
205+50.00



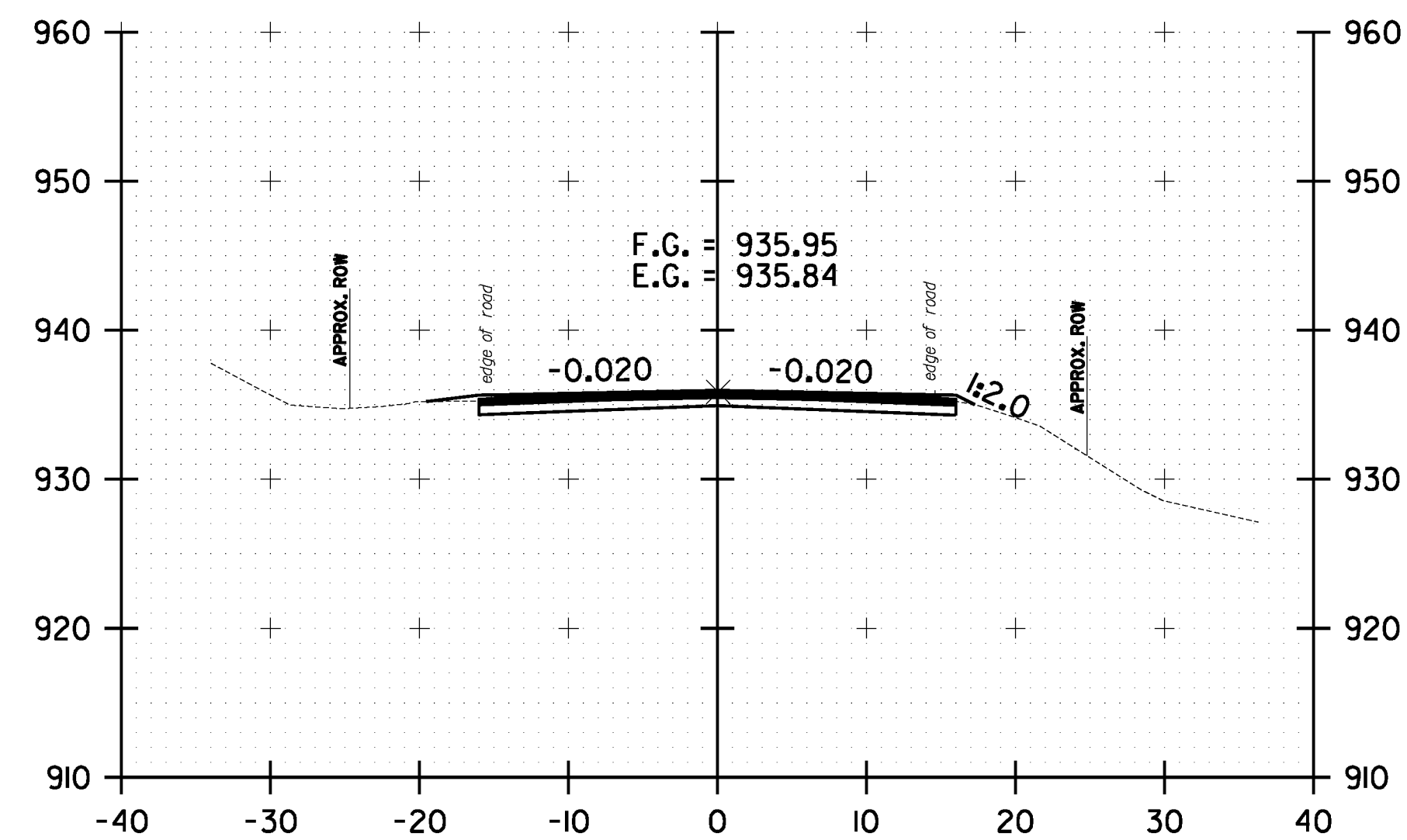
206+50.00



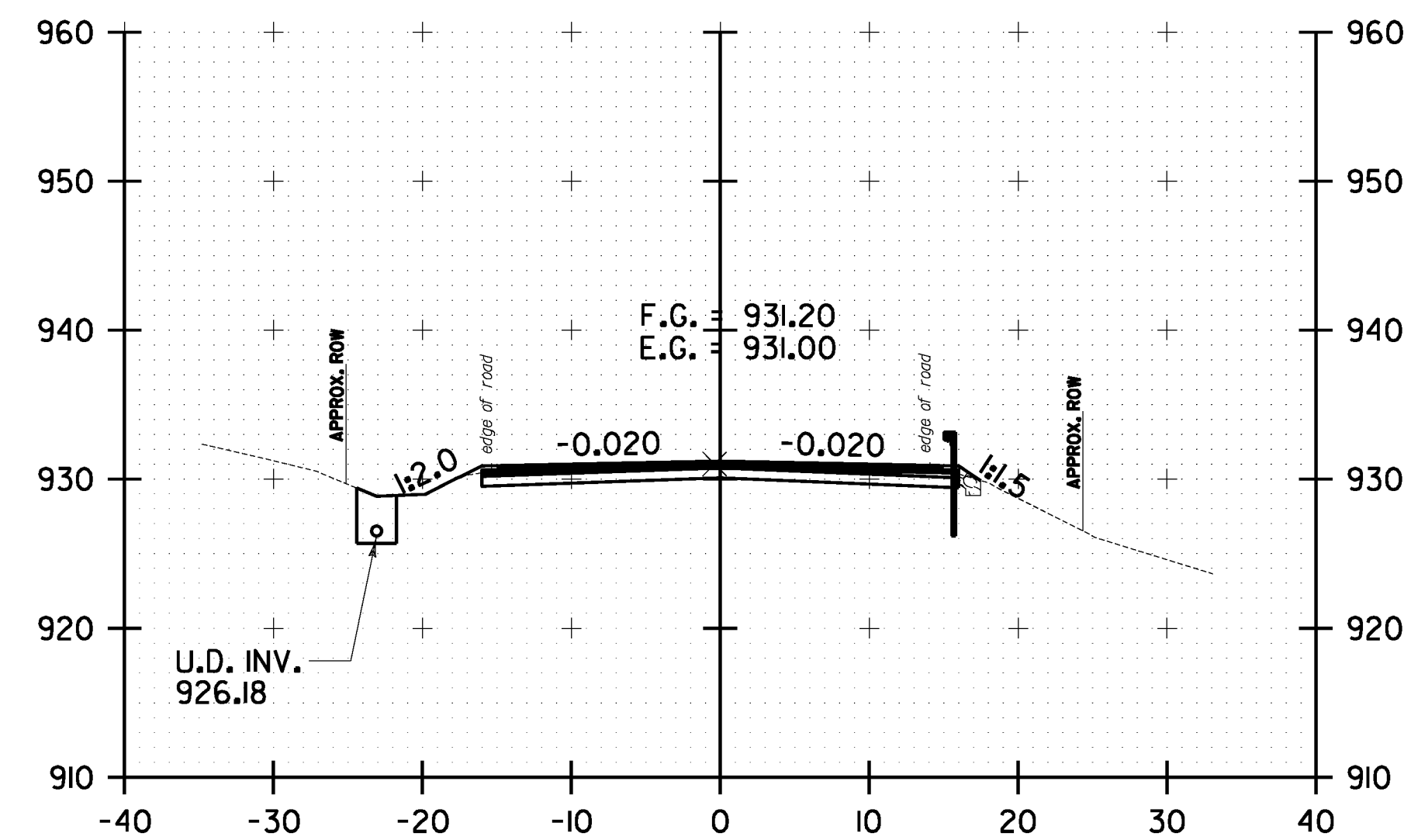
207+50.00



205+00.00



206+00.00



207+00.00



**WARREN
 CROSS SECTION
 SHEET #53**

PROJECT NAME: WARREN-WAITSFIELD

PROJECT NUMBER: STP 2506(1)

FILE NAME: p05b048.dgn

PROJECT LEADER: D.E.G.

DESIGNED BY: M.J.M.

IPARM FILE: p05b048xs53.1

PLOT DATE: 12/20/2012

DRAWN BY: W.G.P.

CHECKED BY: D.E.G.

SHEET 216 OF 310