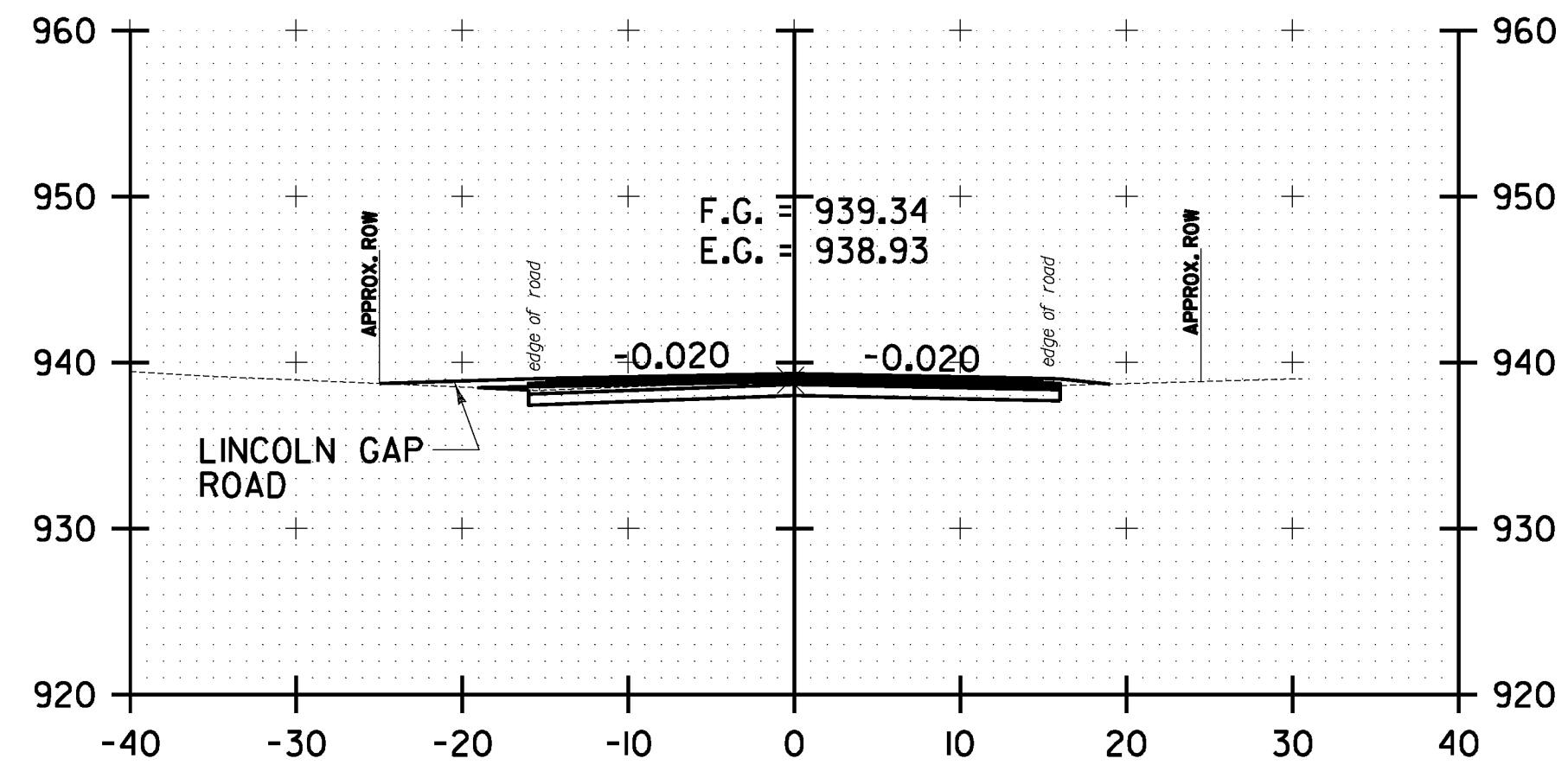
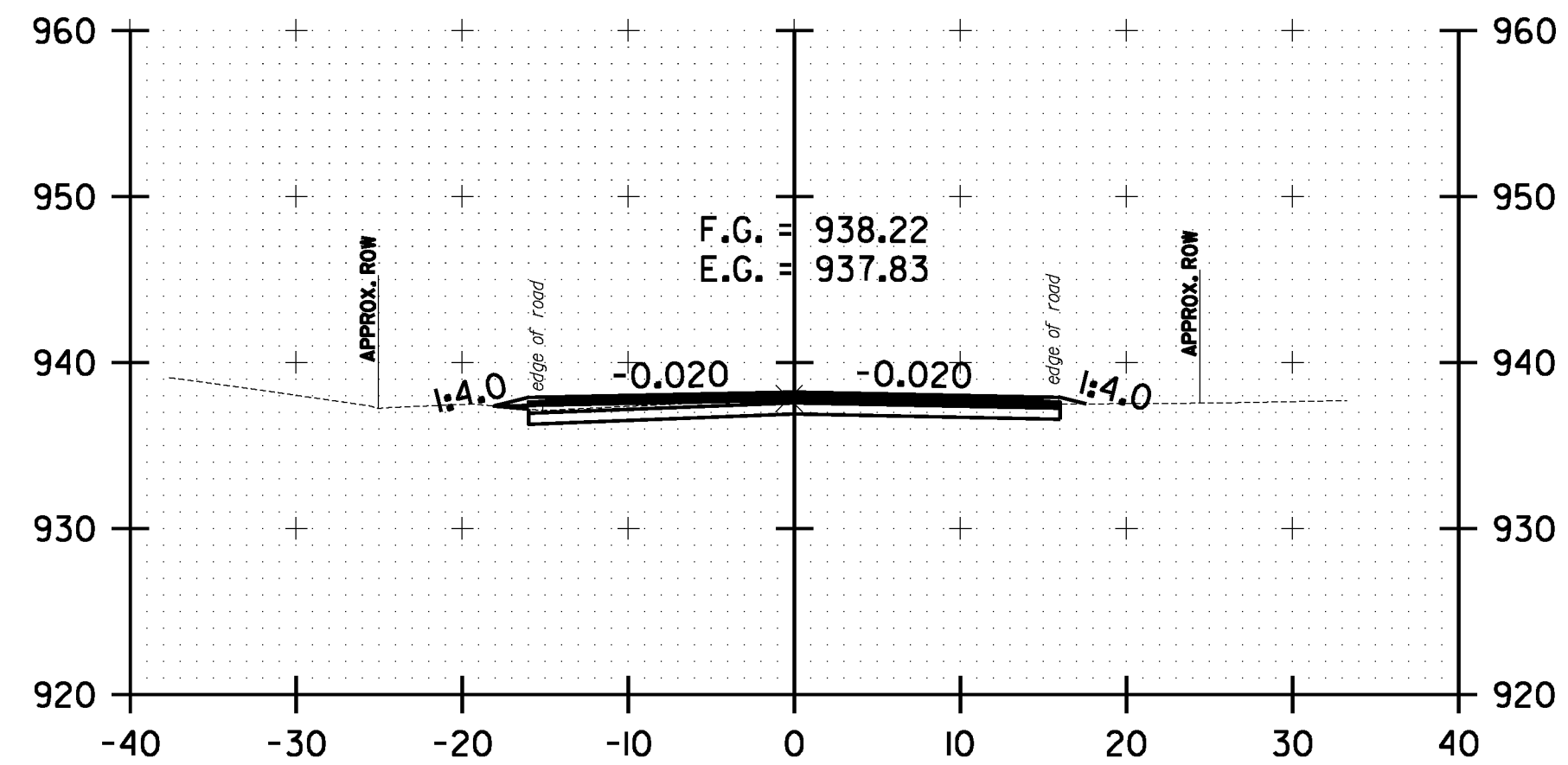


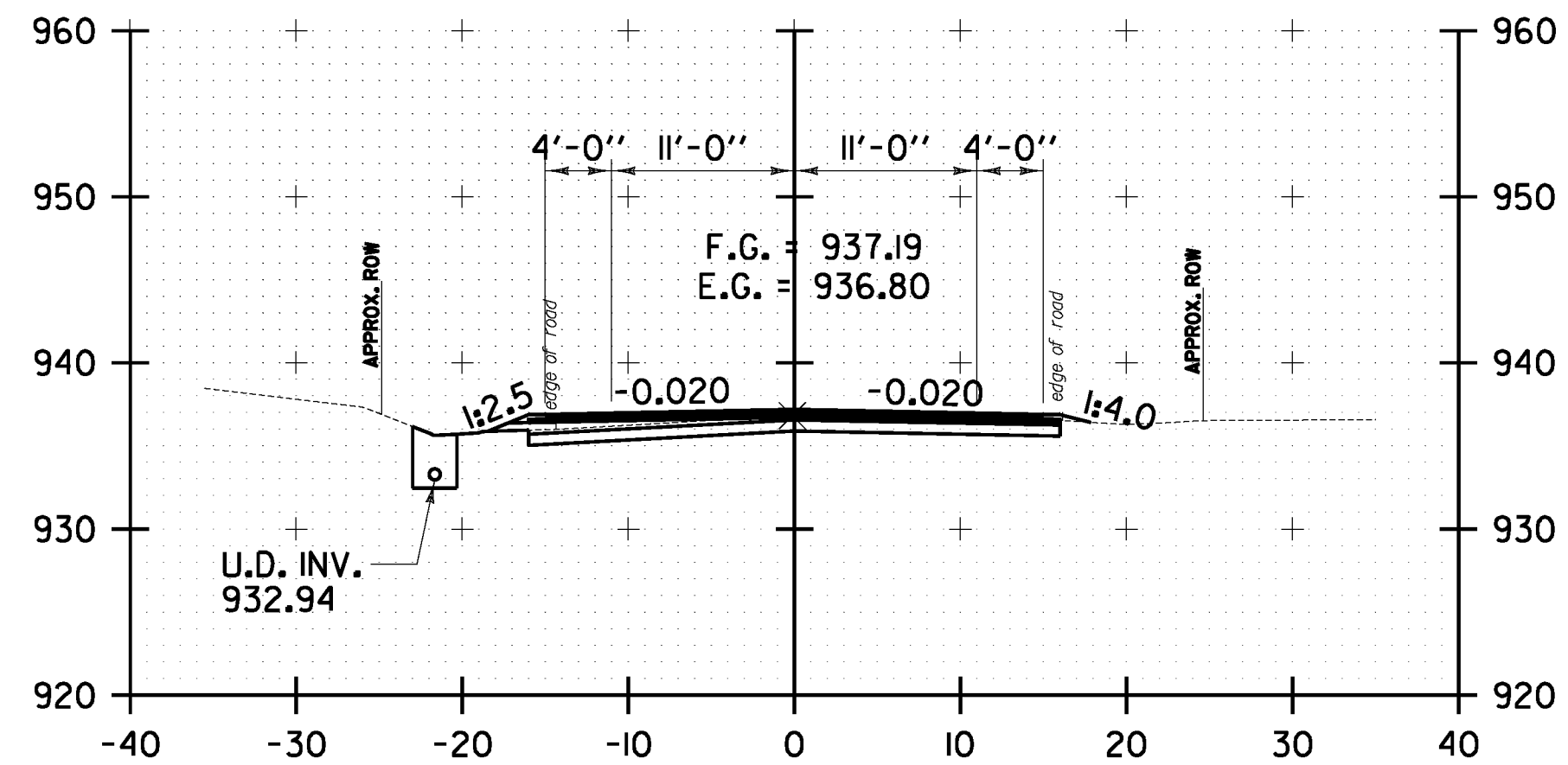
FILE NAME: U:\1762\CA00\MST\STP_2506\p05b048_Conv.eet_Plan.dgn
 DATE/TIME: 12/20/2012
 USER: 4866



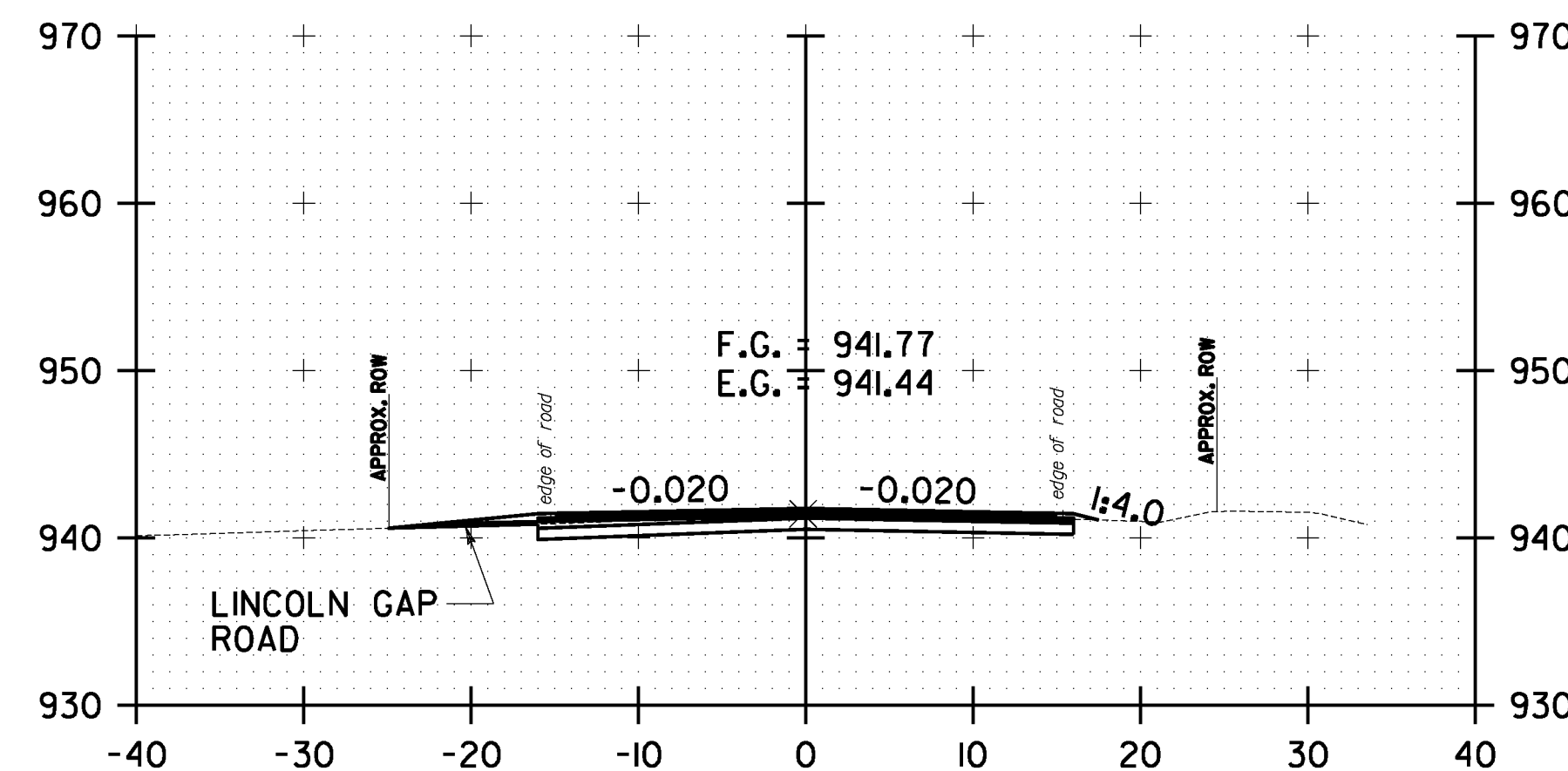
181+50.00



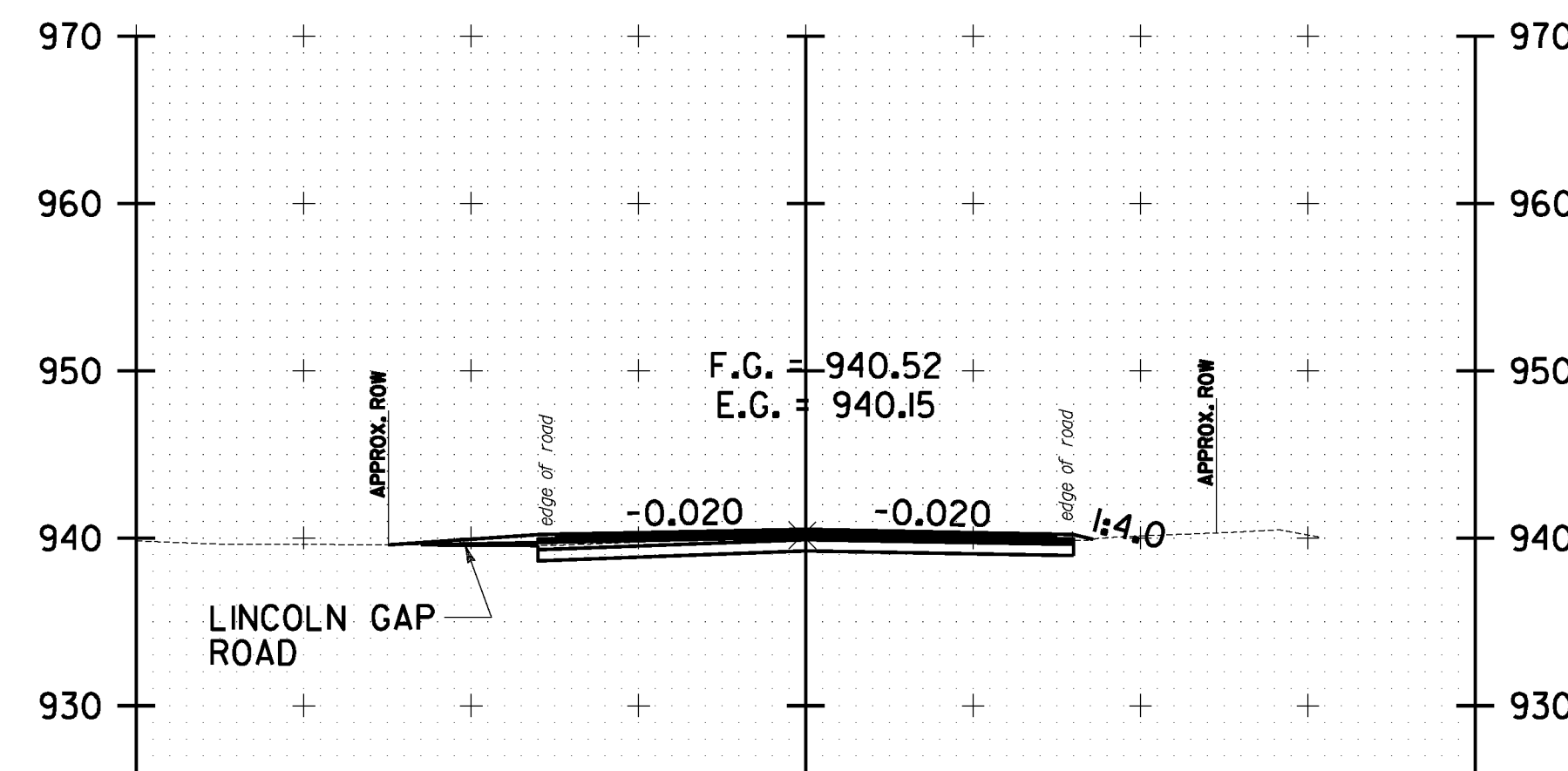
181+00.00



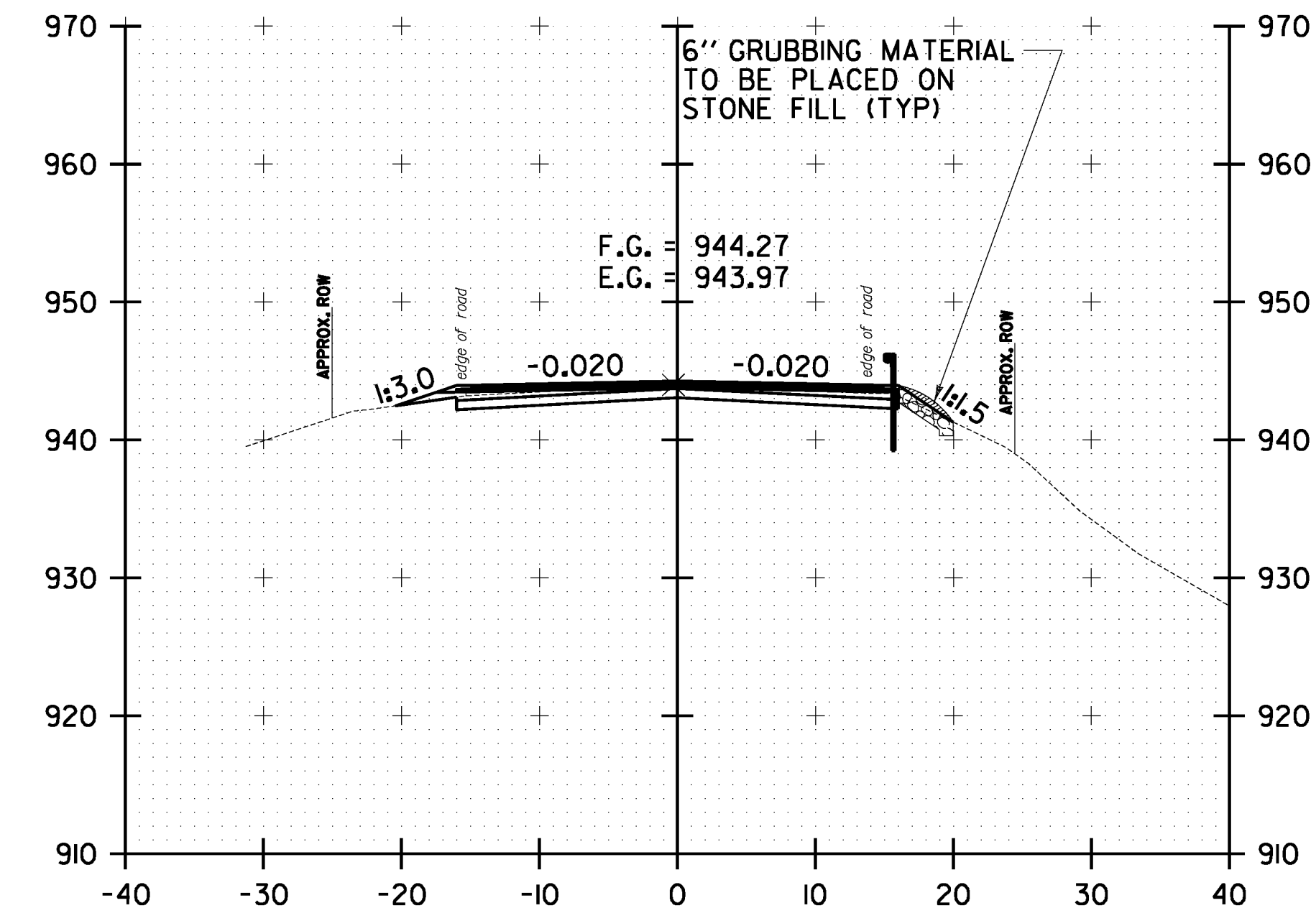
180+50.00



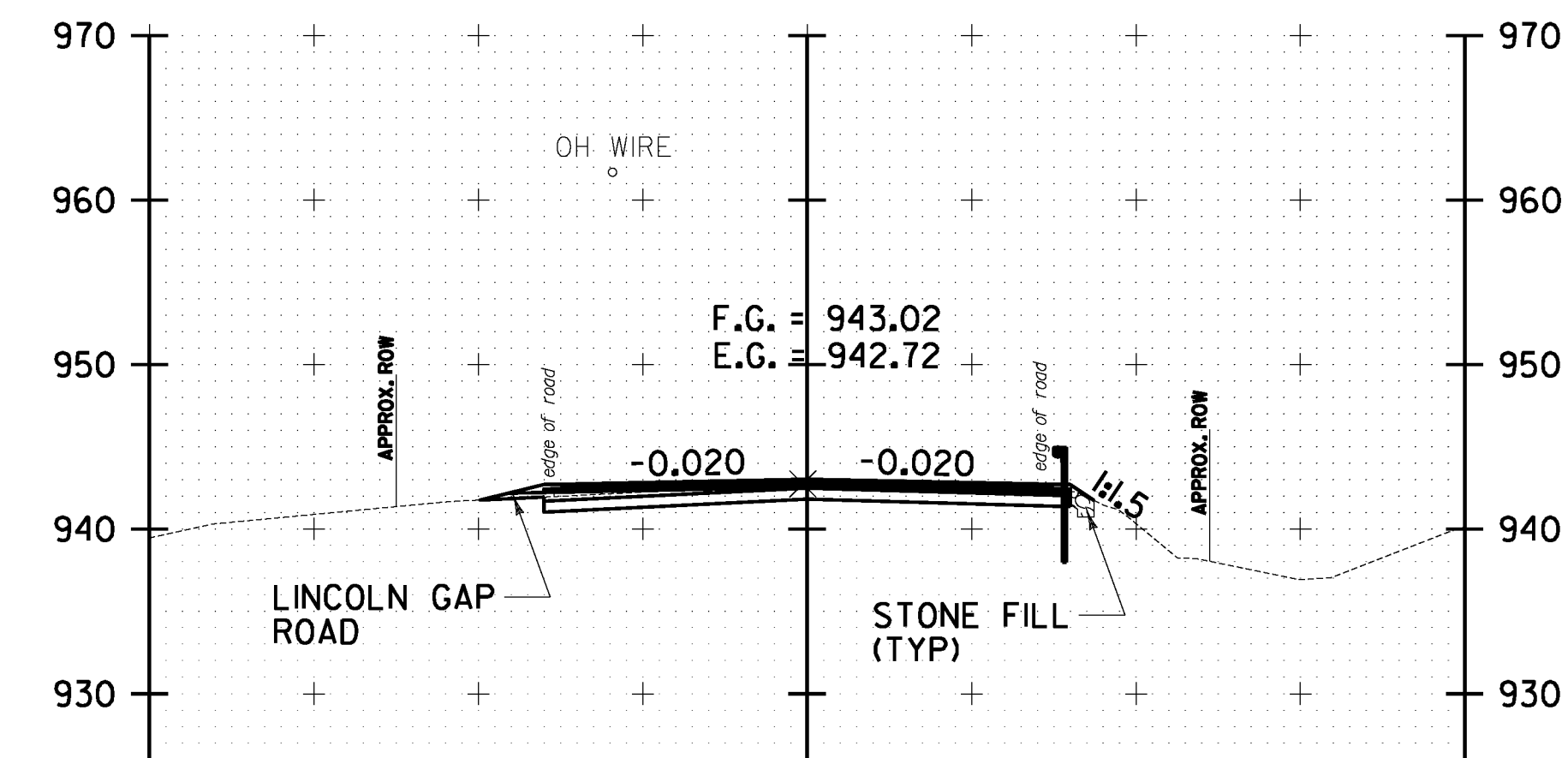
182+50.00



182+00.00



183+50.00



183+00.00



WARREN CROSS SECTION SHEET #45	PROJECT NAME: WARREN-WAITSFIELD	PLOT DATE: 12/20/2012
	PROJECT NUMBER: STP 2506(1)	DRAWN BY: W.G.P.
	FILE NAME: p05b048.dgn	CHECKED BY: D.E.G.
	PROJECT LEADER: D.E.G.	SHEET 208 OF 310
	DESIGNED BY: M.J.M.	
	IPARM FILE: p05b048xs45.1	