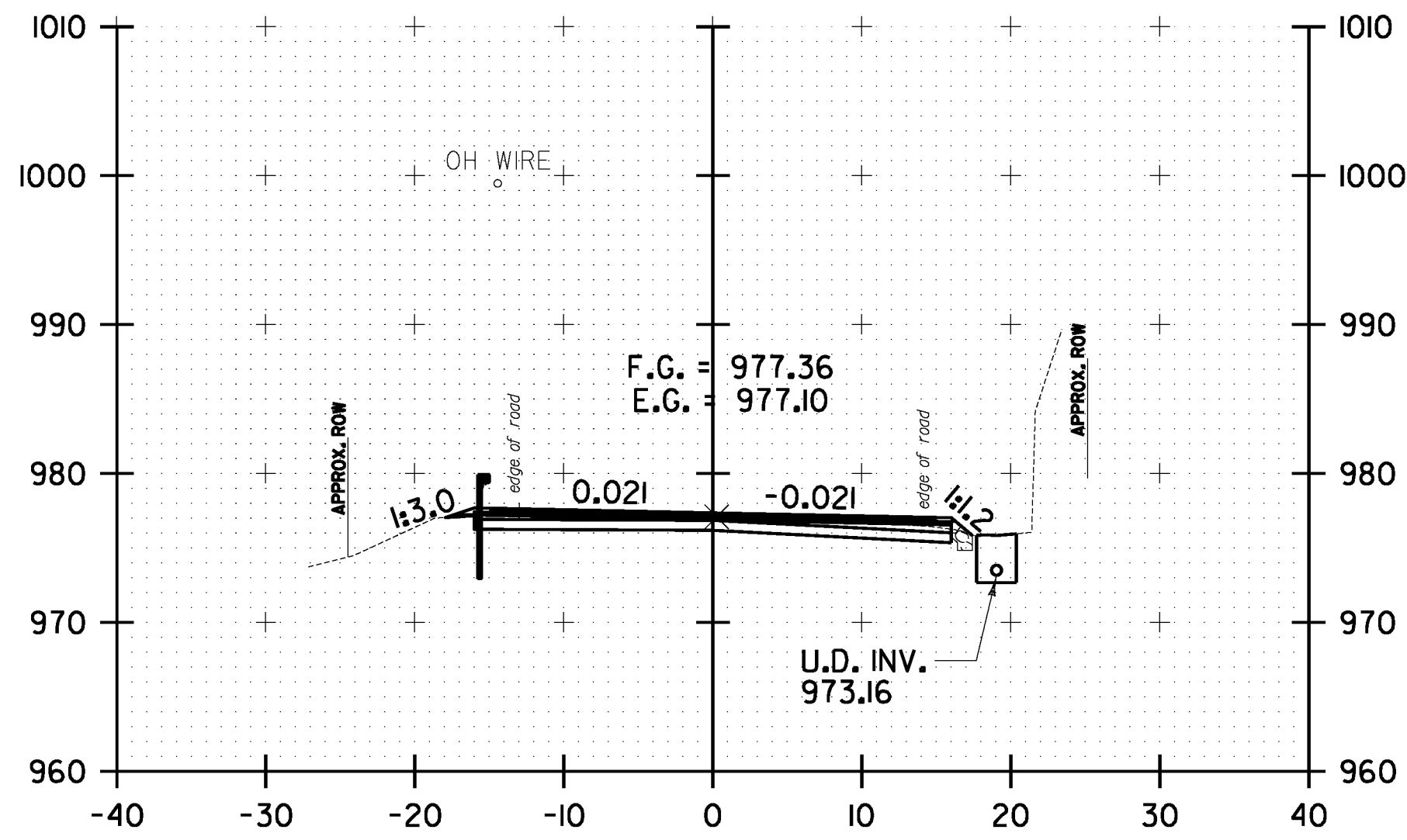
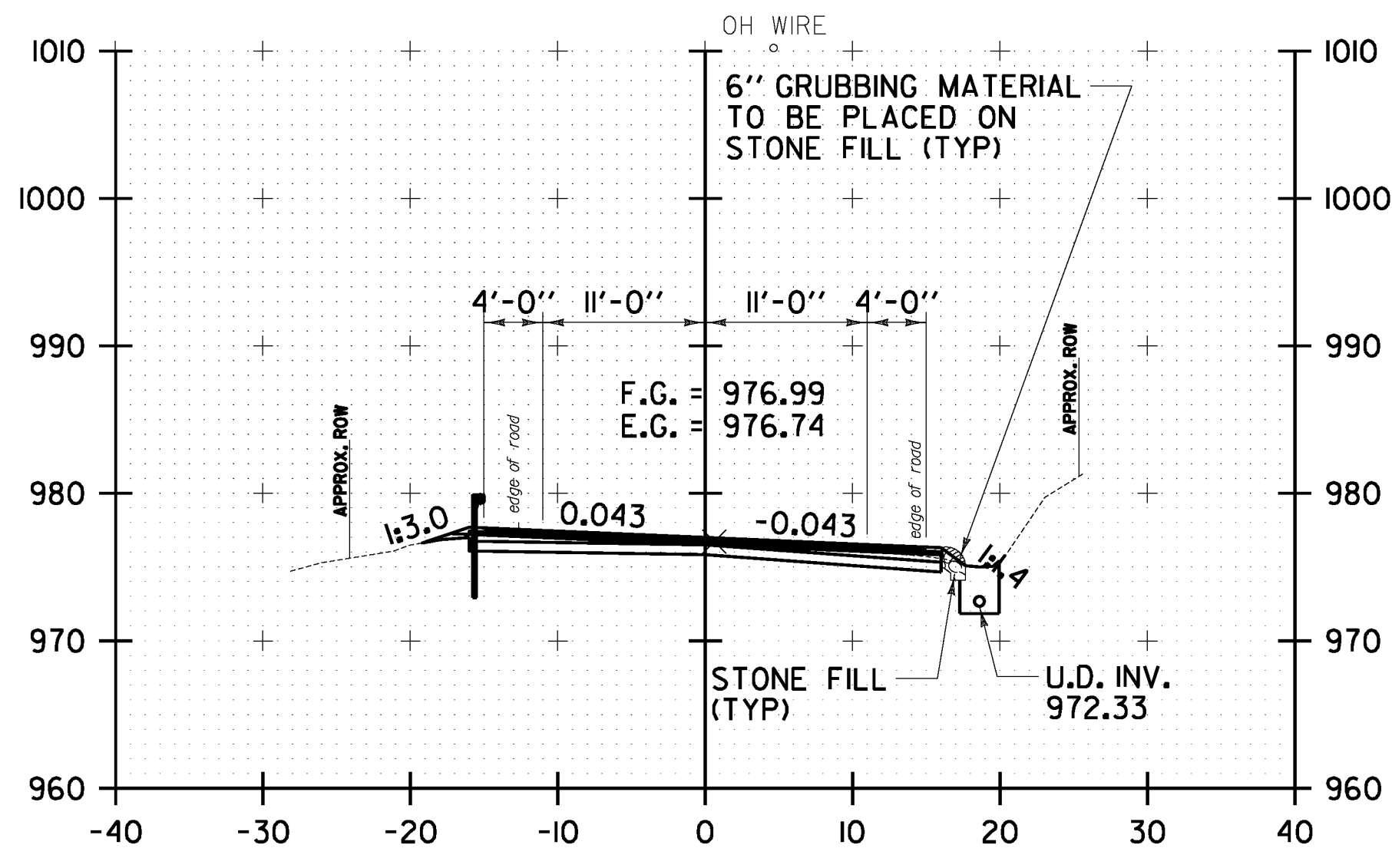


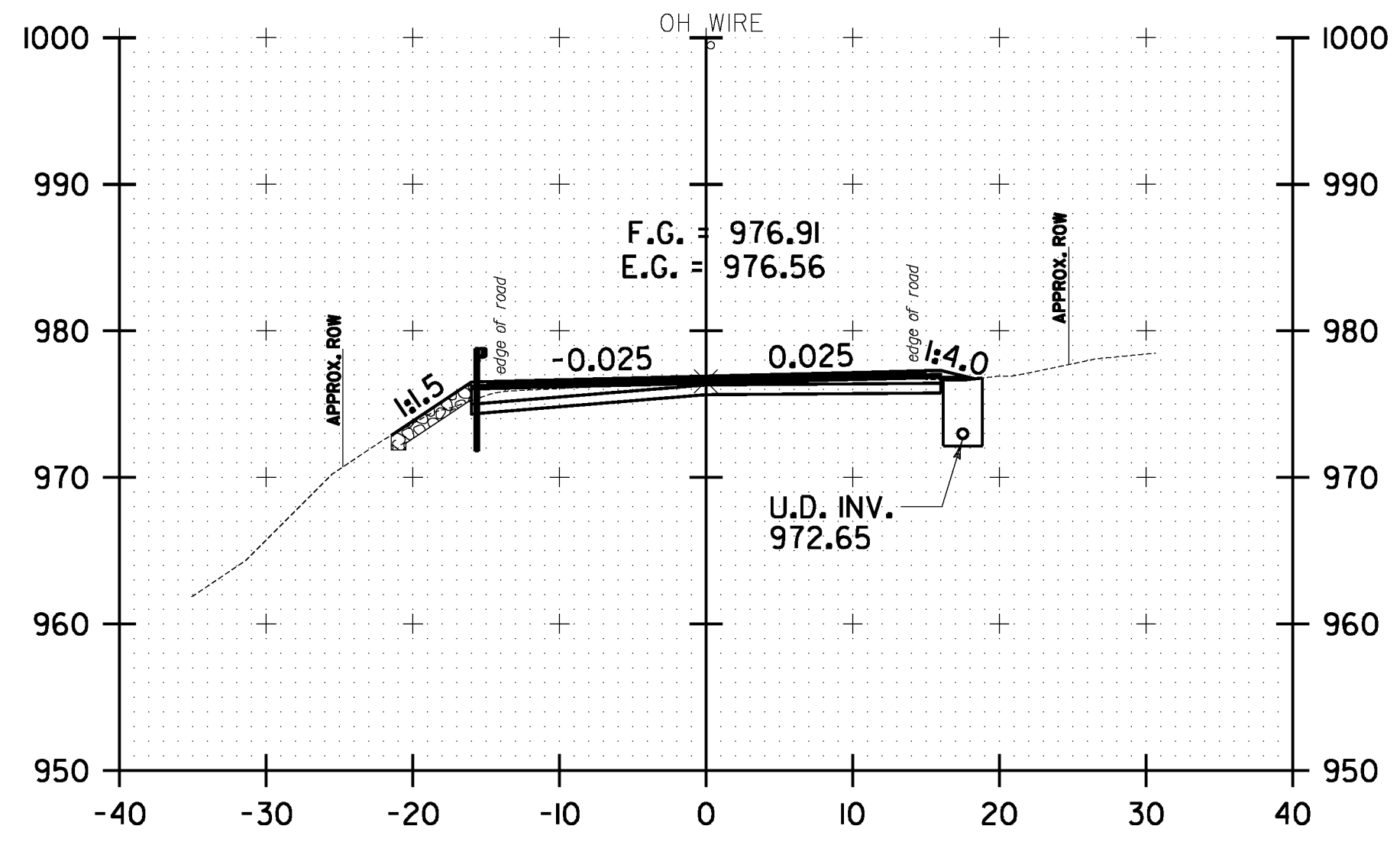
FILE NAME = U:\1762\CADD\MSTN\STP_2506\p05b048.Convect Plans.dgn
 DATE/TIME = 12/20/2012
 USER = 4866



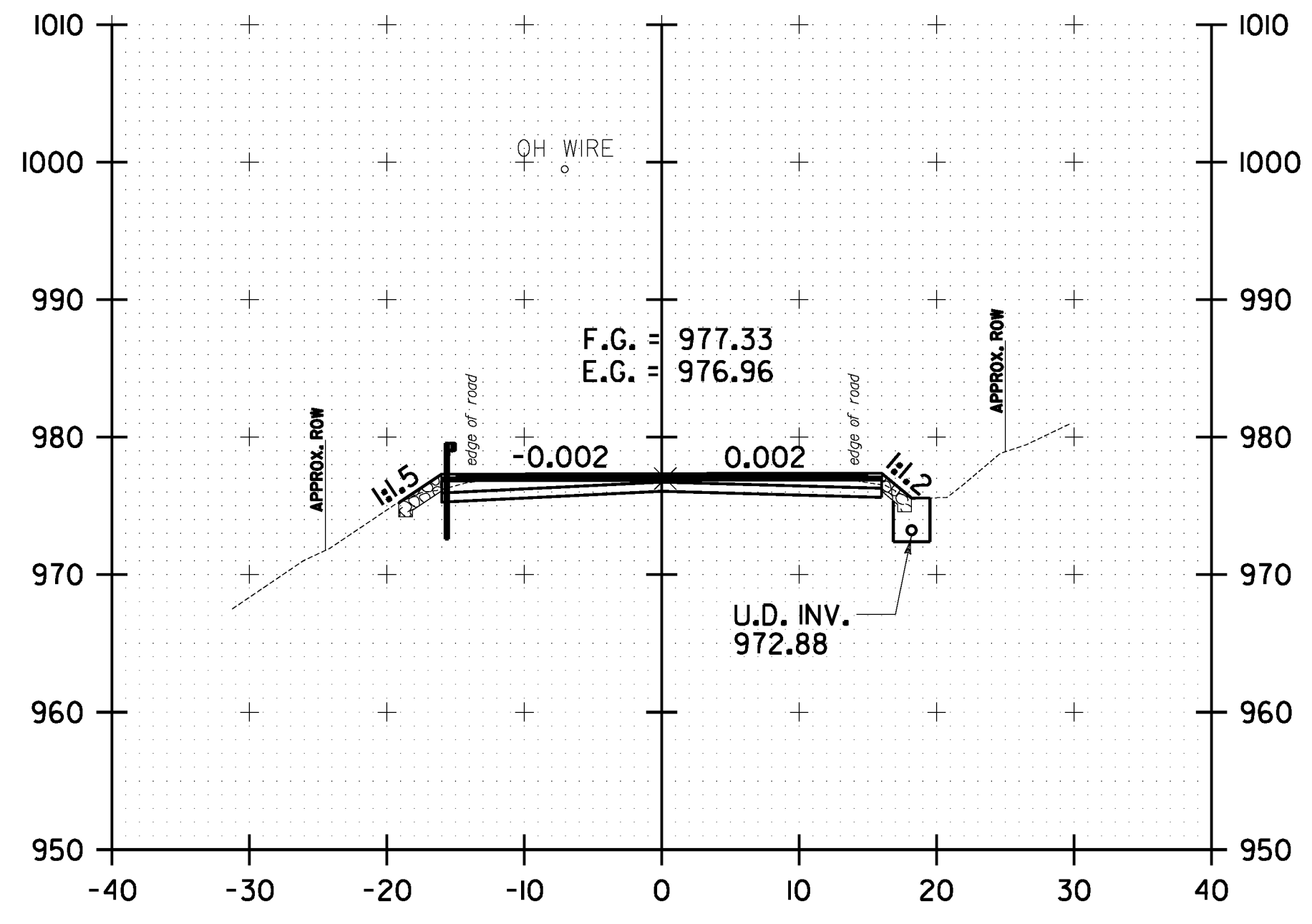
159+00.00



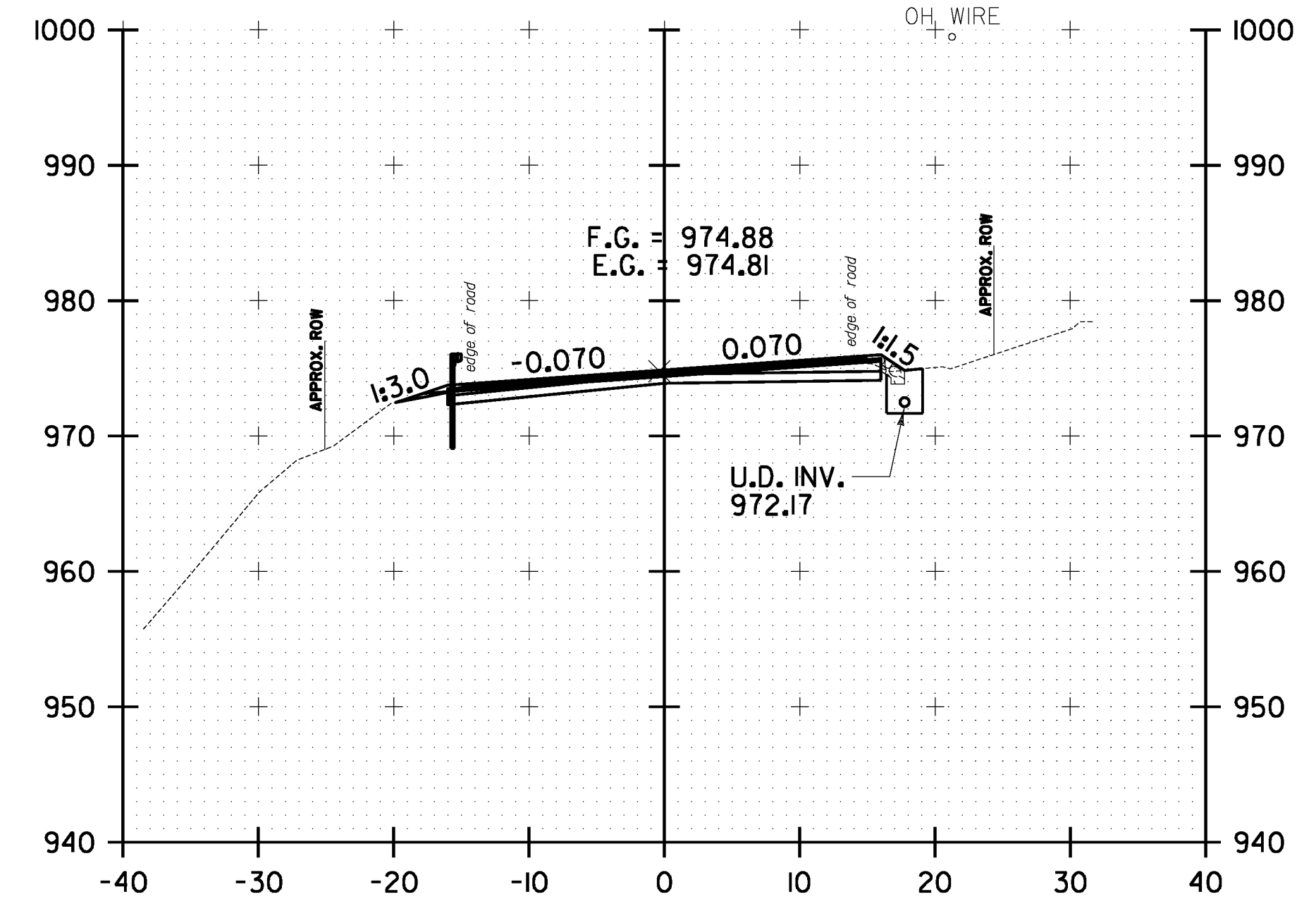
158+50.00



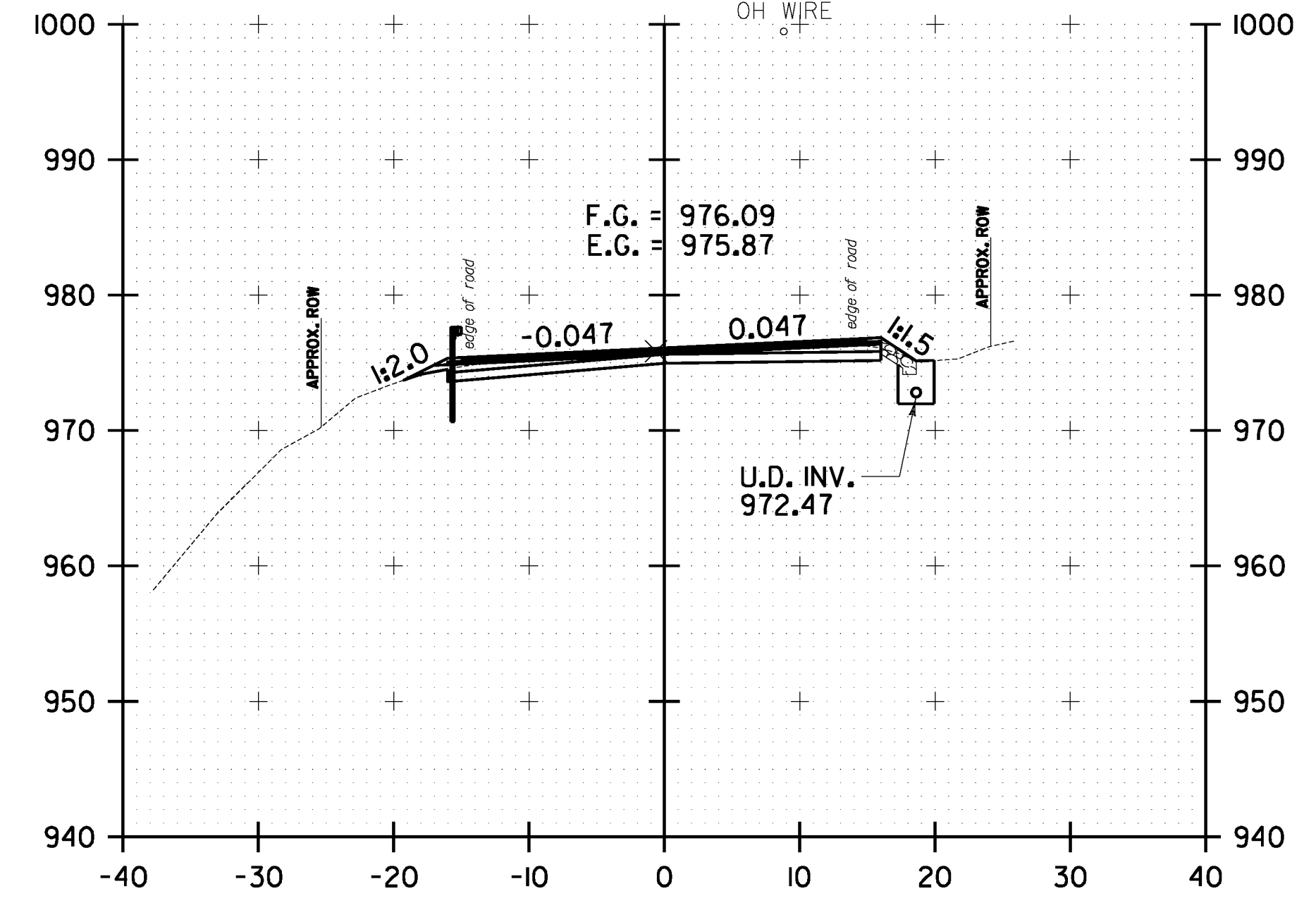
160+00.00



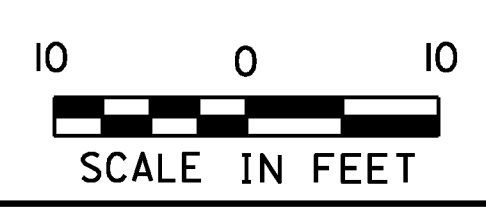
159+50.00



161+00.00



160+50.00



**WARREN
 CROSS SECTION
 SHEET #38**

| | |
|---------------------------------|-----------------------|
| PROJECT NAME: WARREN-WAITSFIELD | PLOT DATE: 12/20/2012 |
| PROJECT NUMBER: STP 2506(1) | DRAWN BY: W.G.P. |
| FILE NAME: p05b048.dgn | CHECKED BY: D.E.G. |
| PROJECT LEADER: D.E.G. | SHEET 201 OF 310 |
| DESIGNED BY: M.J.M. | |
| IPARM FILE: p05b048xs38.l | |