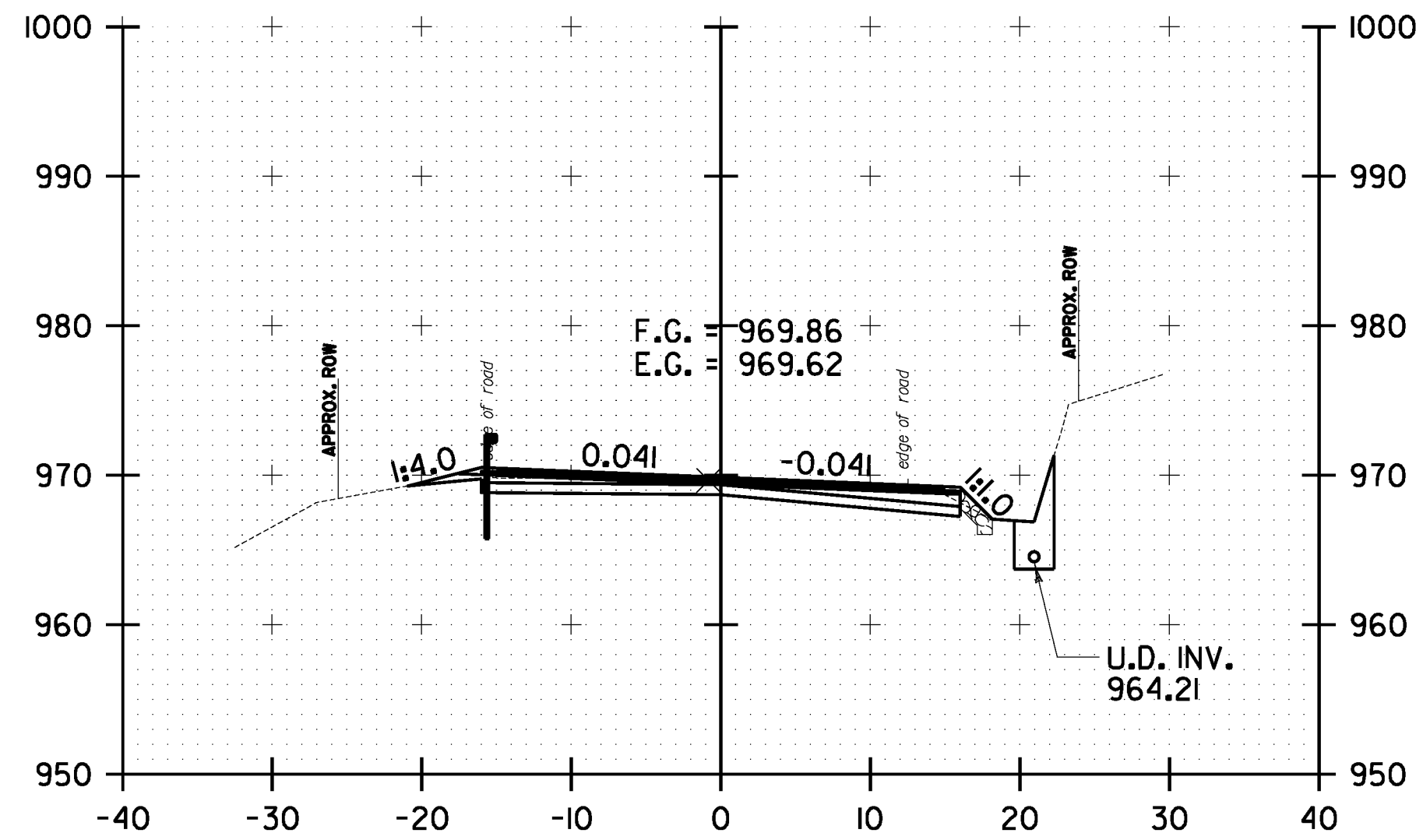
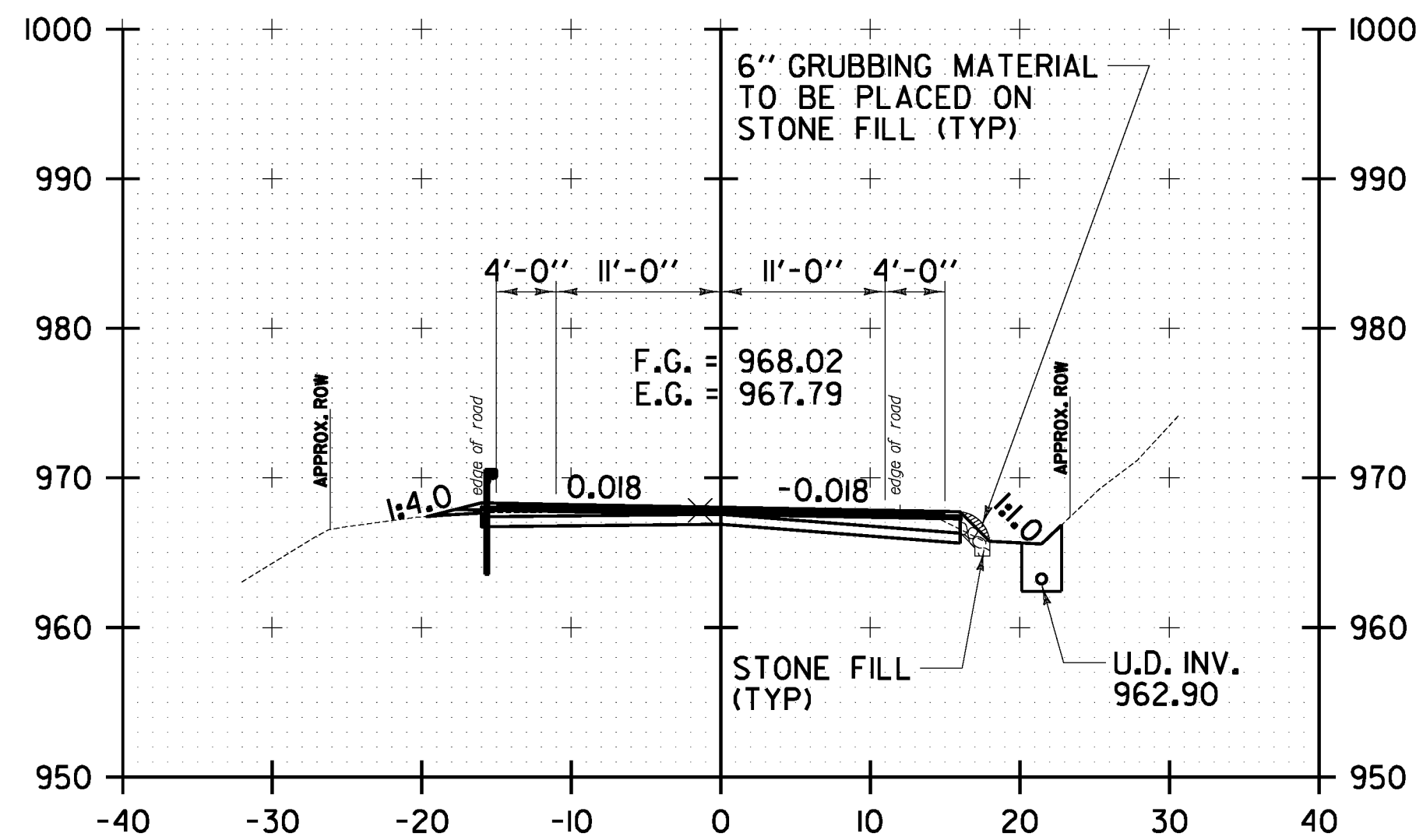


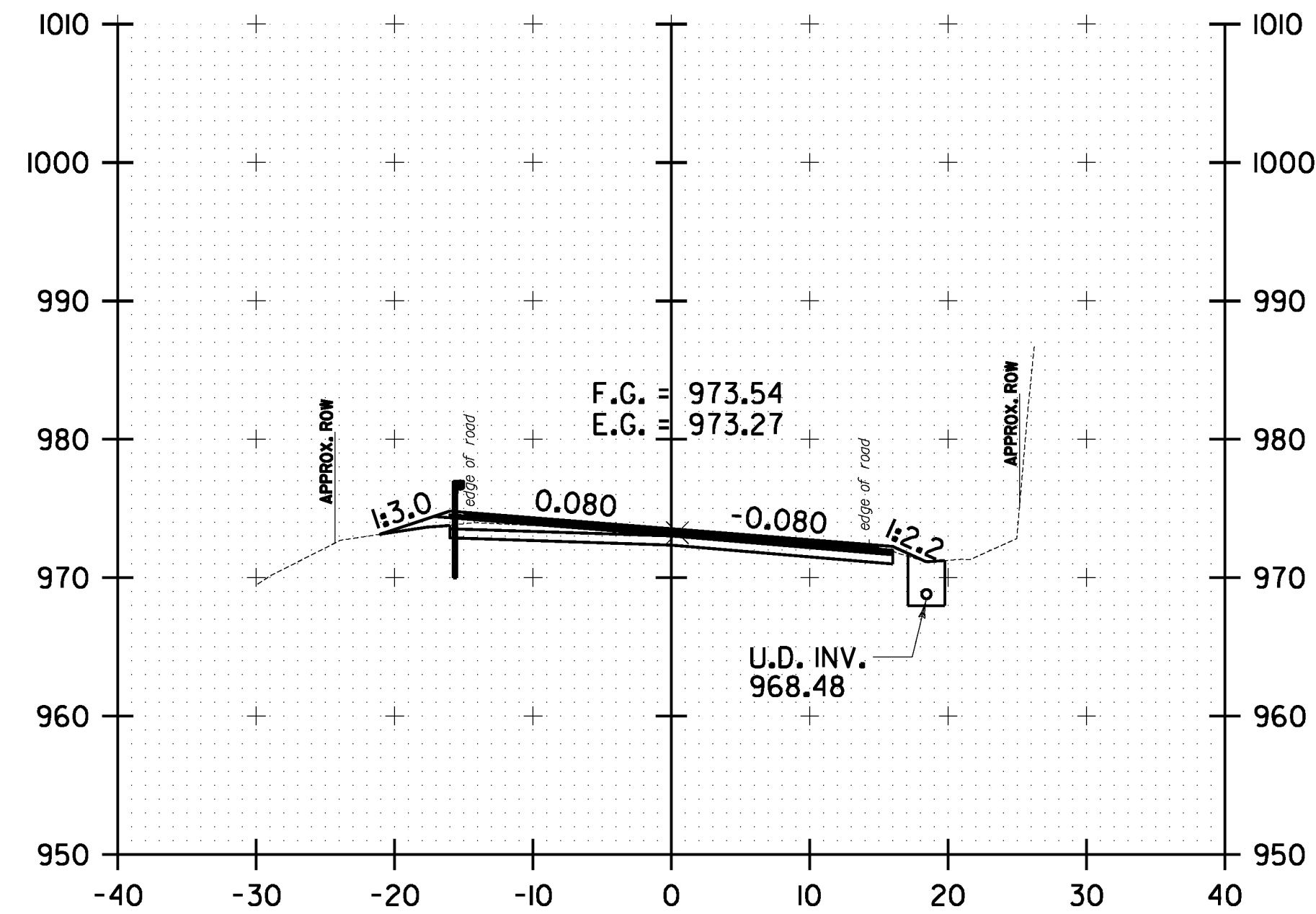
FILE NAME: U:\1762\CA00\MST\STP_2506\p05b048.Conv.eas Plans.dgn
 DATE/TIME: 12/20/2012
 USER: 4866



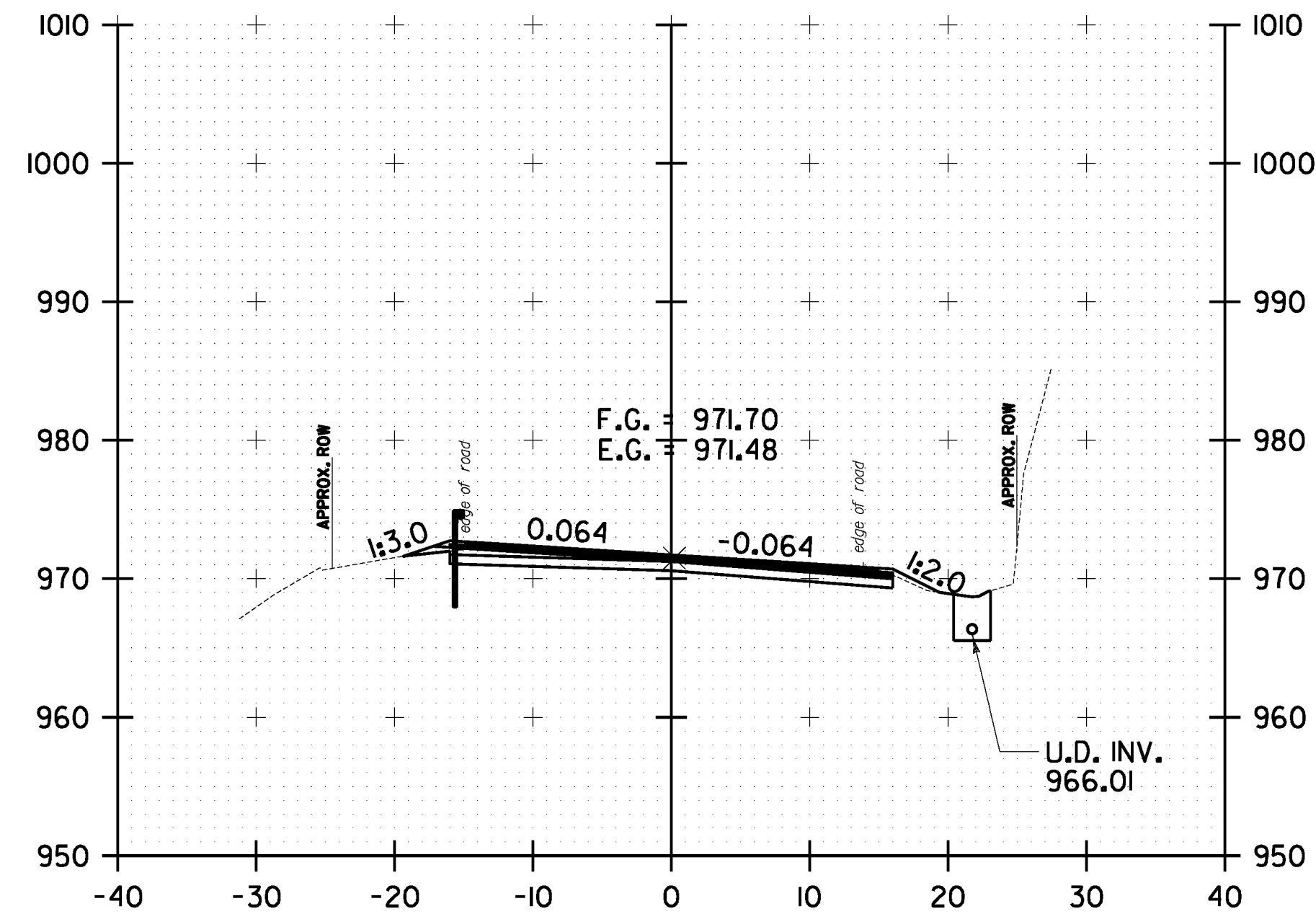
156+00.00



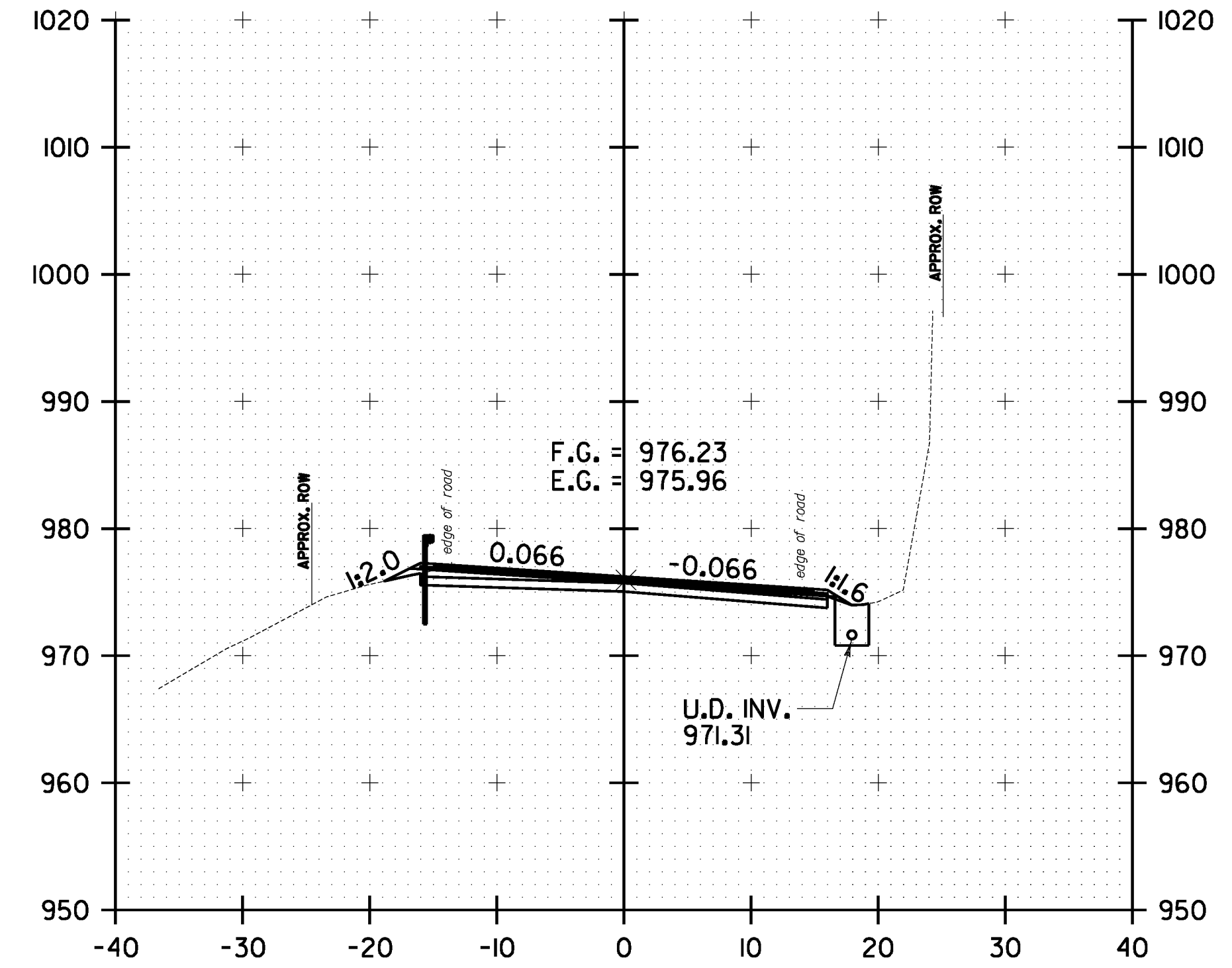
155+50.00



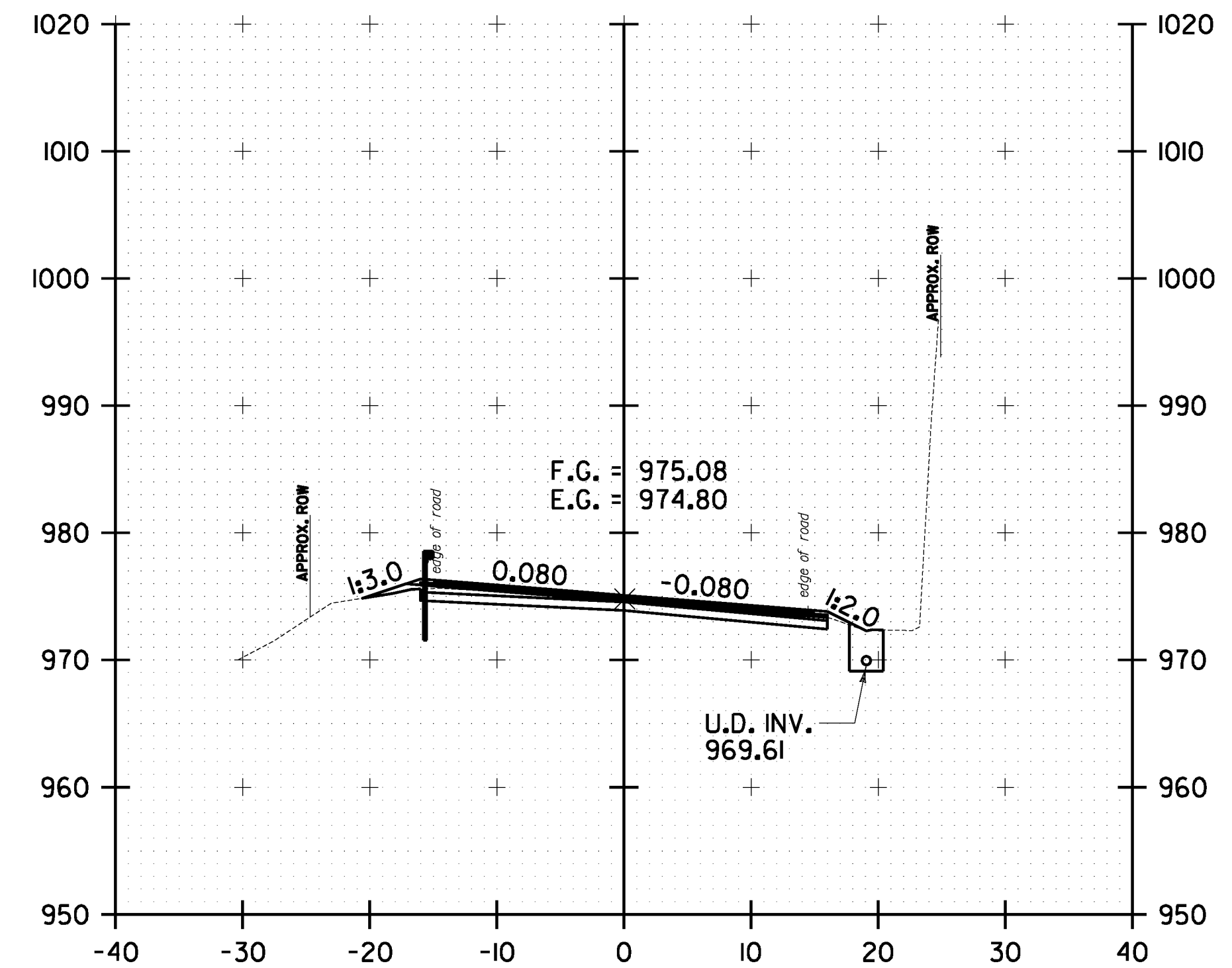
157+00.00



156+50.00



158+00.00



157+50.00



**WARREN
 CROSS SECTION
 SHEET #37**

PROJECT NAME: WARREN-WAITSFIELD

PROJECT NUMBER: STP 2506(1)

FILE NAME: p05b048.dgn

PROJECT LEADER: D.E.G.

DESIGNED BY: M.J.M.

IPARM FILE: p05b048xs37.1

PLOT DATE: 12/20/2012

DRAWN BY: W.G.P.

CHECKED BY: D.E.G.

SHEET 200 OF 310