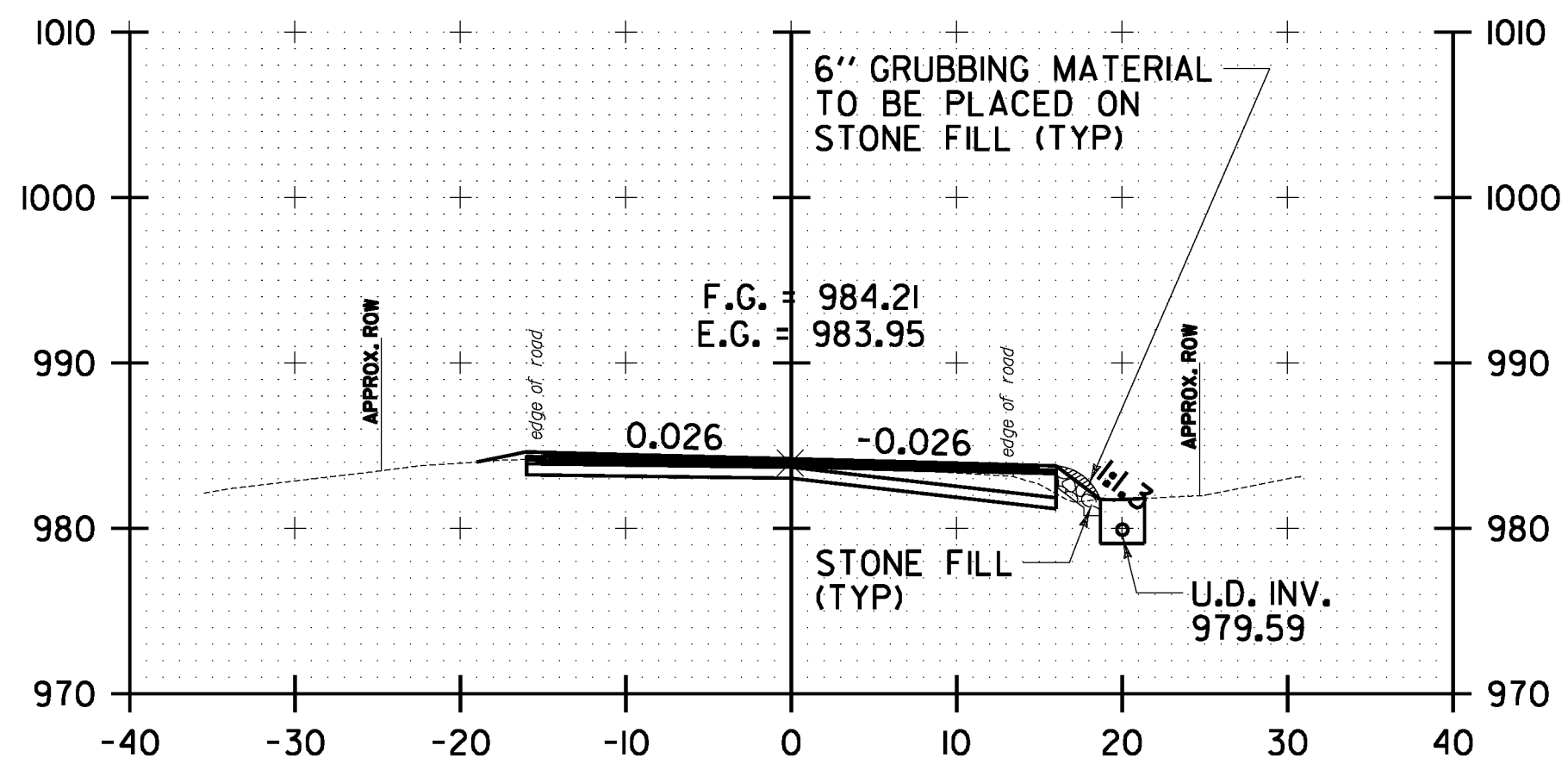
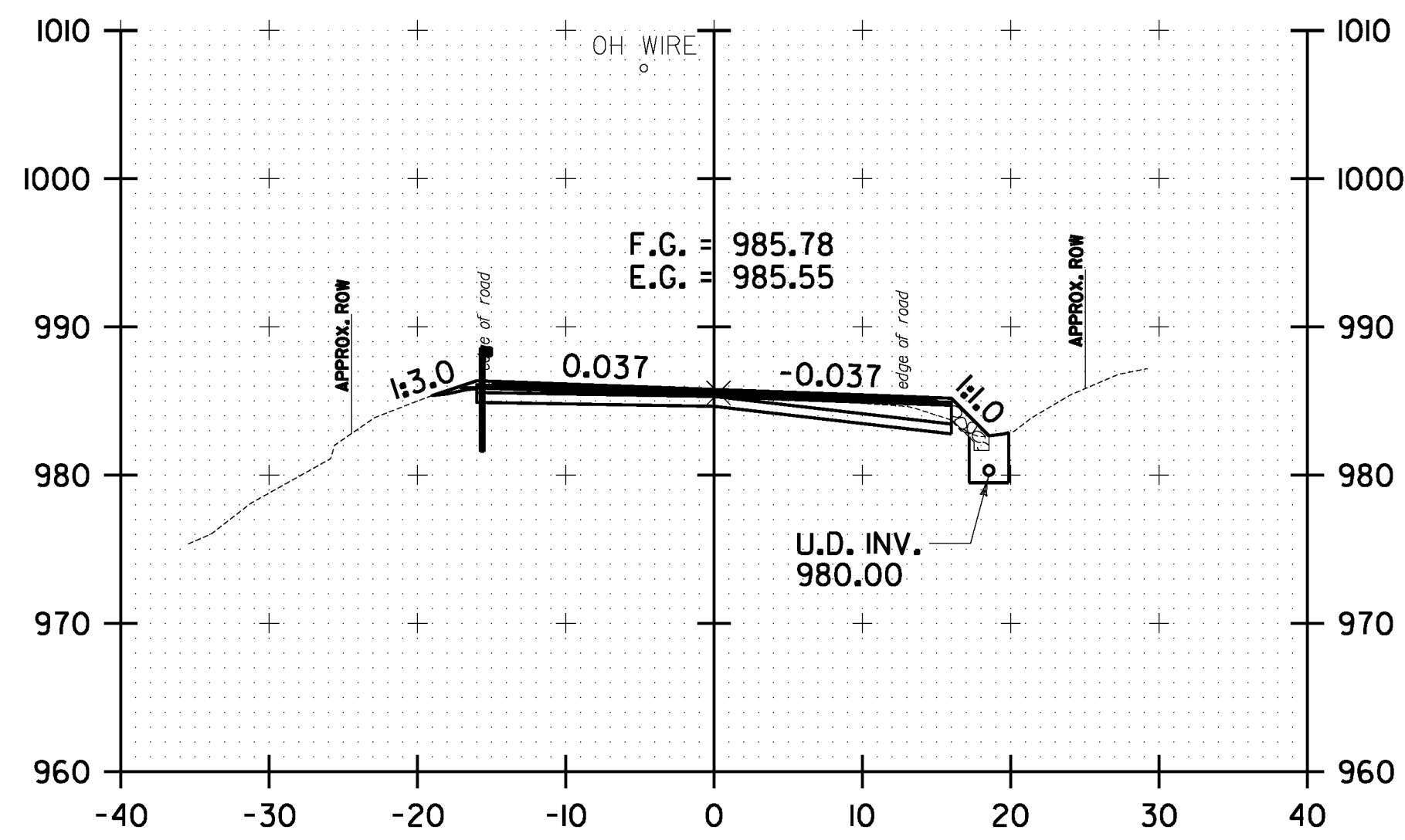


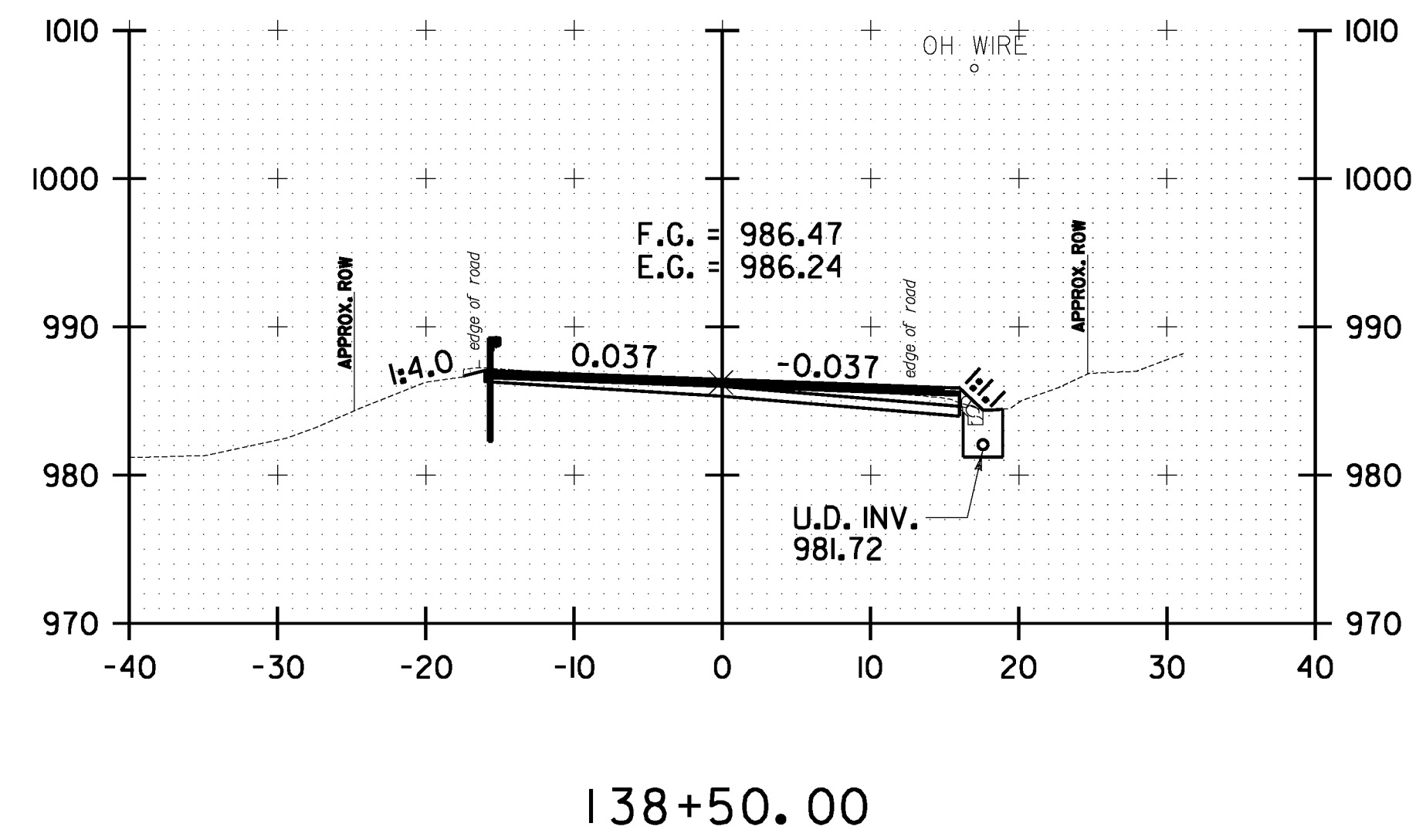
FILE NAME = I:\1762\CA00\MST\STP_2506\p05b048.Convect.Plan.dgn
 DATE/TIME = 12/20/2012
 USER = 4866



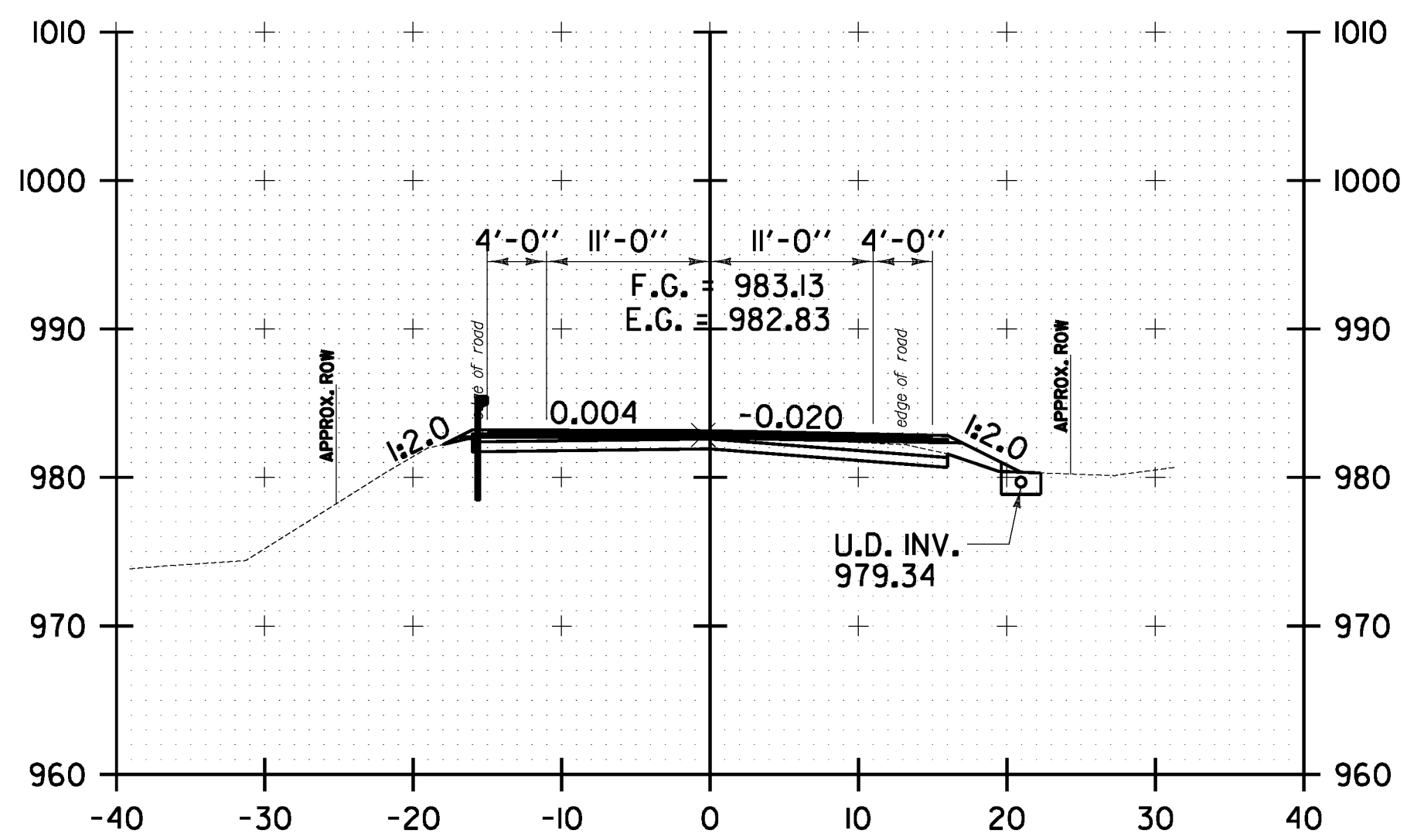
136+50.00



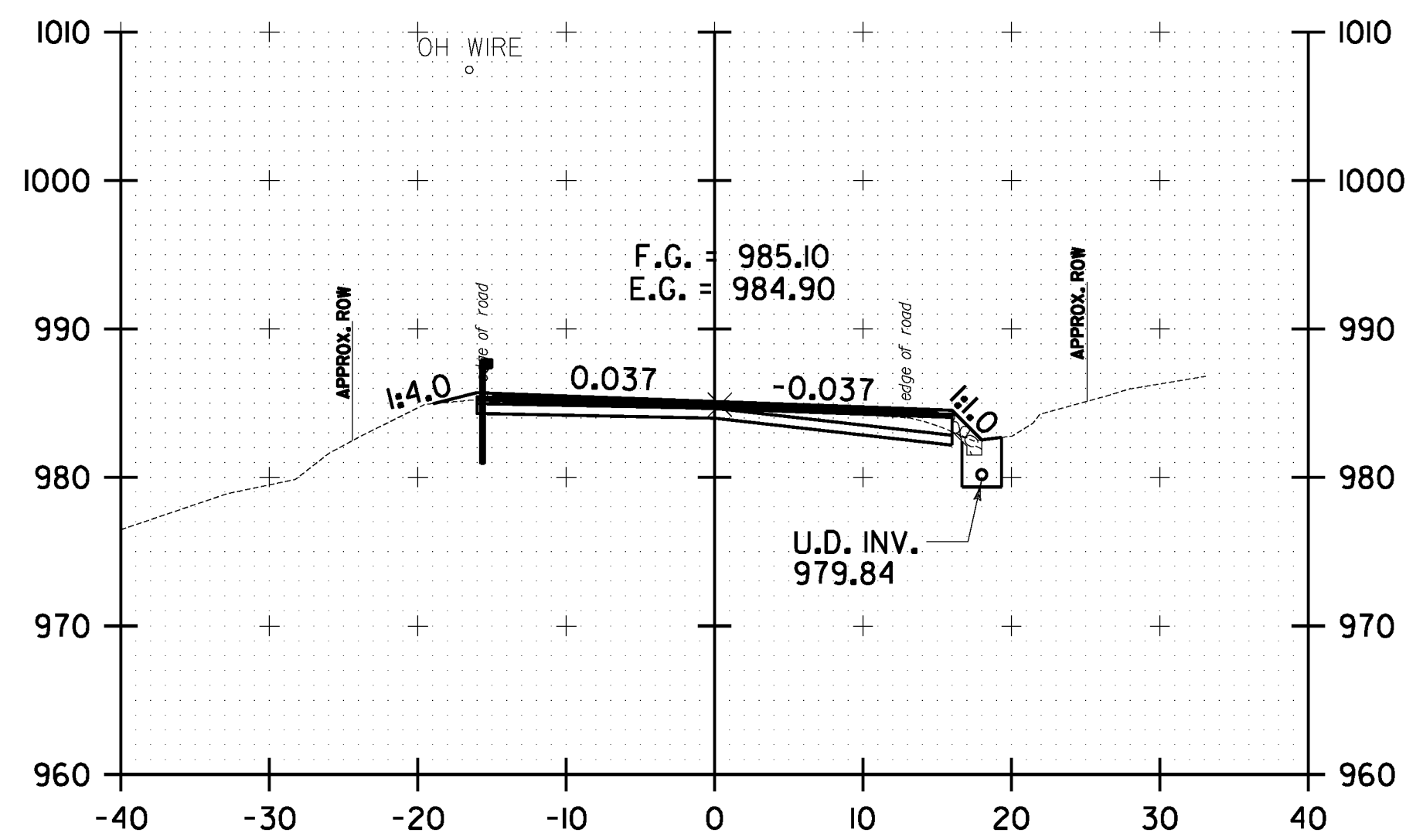
137+50.00



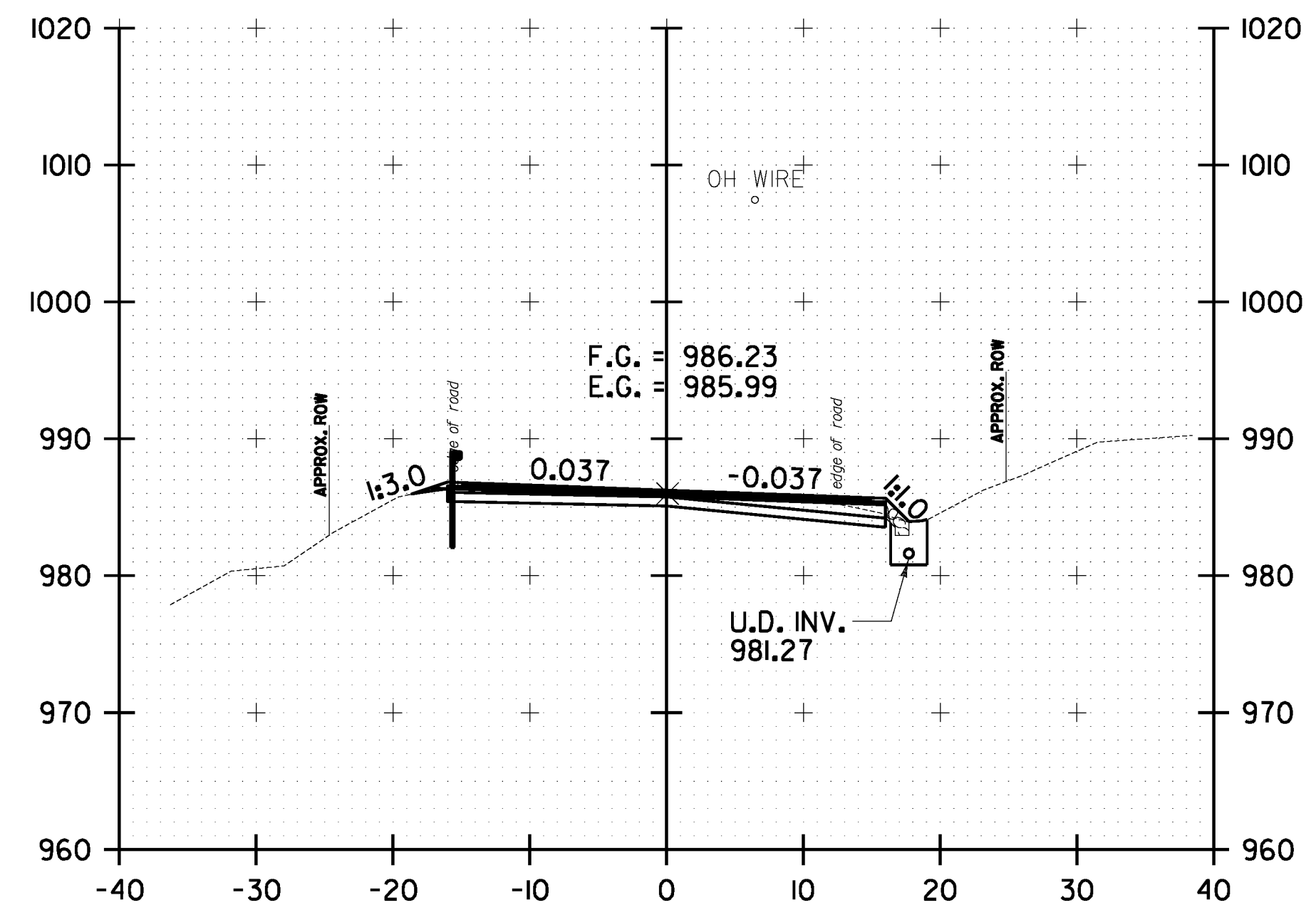
138+50.00



136+00.00



137+00.00



138+00.00



**WARREN
 CROSS SECTION
 SHEET #31**

PROJECT NAME: WARREN-WAITSFIELD

PROJECT NUMBER: STP 2506(1)

FILE NAME: p05b048.dgn

PROJECT LEADER: D.E.G.

DESIGNED BY: M.J.M.

IPARM FILE: p05b048xs31.i

PLOT DATE: 12/20/2012

DRAWN BY: W.G.P.

CHECKED BY: D.E.G.

SHEET 194 OF 310