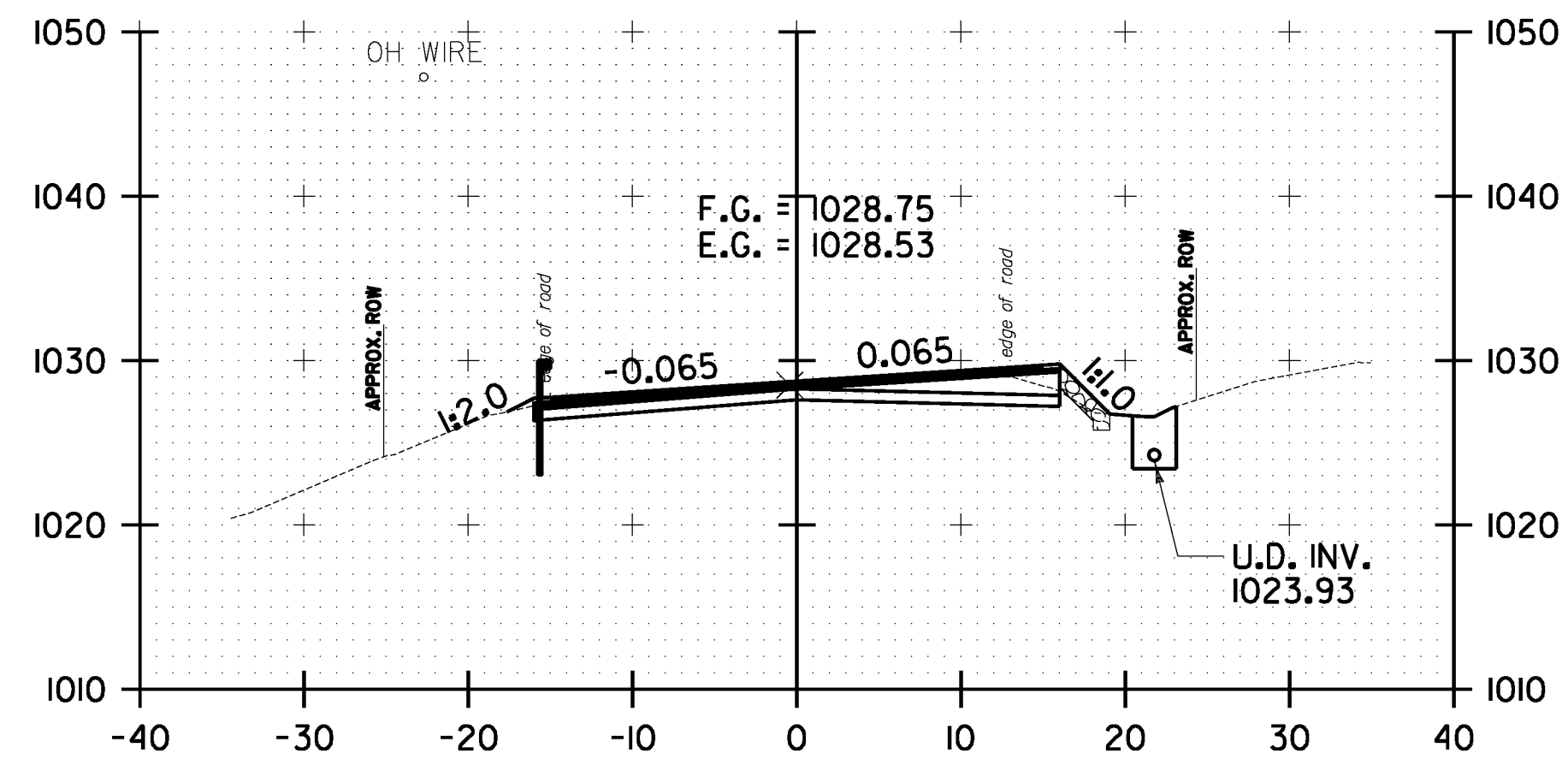
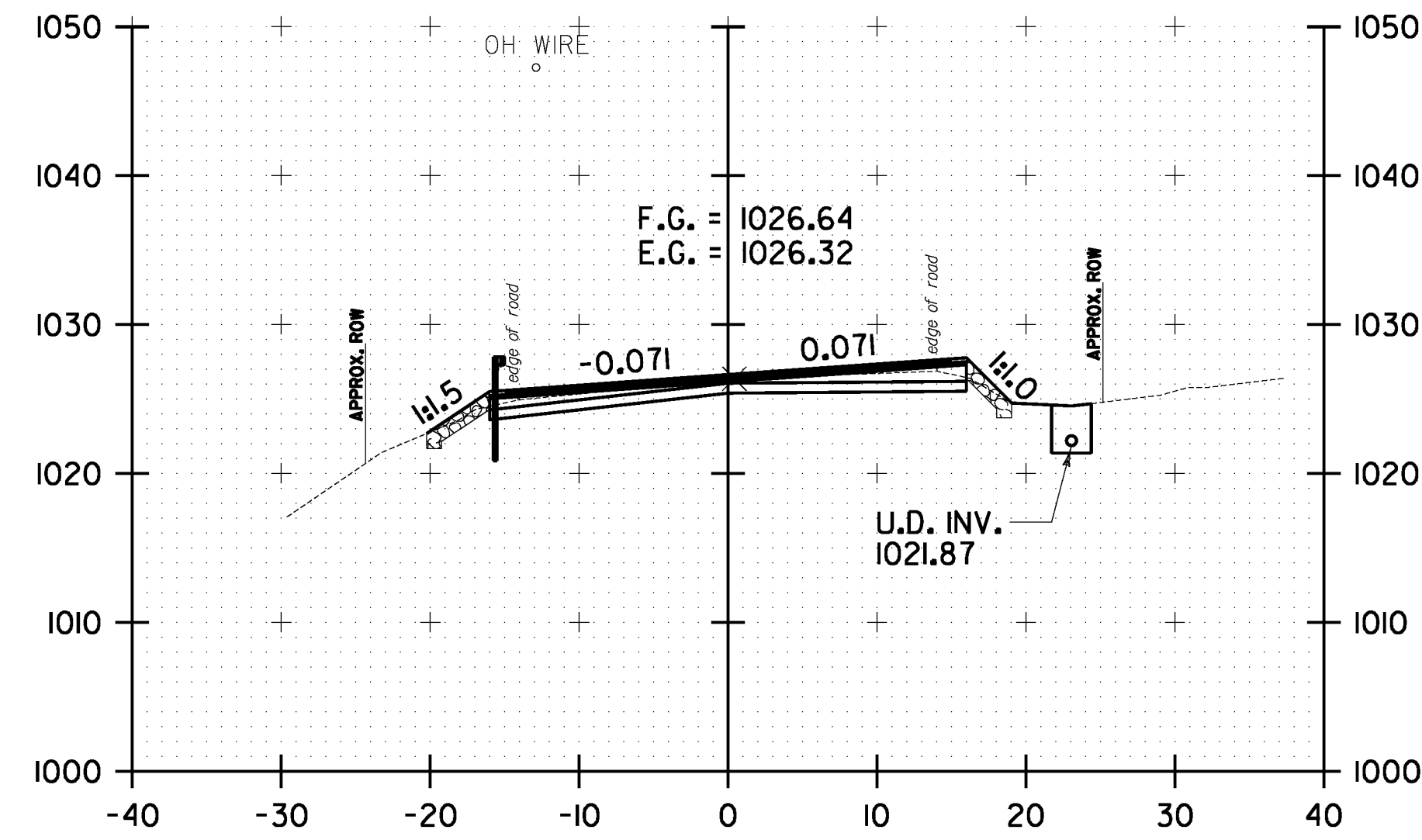


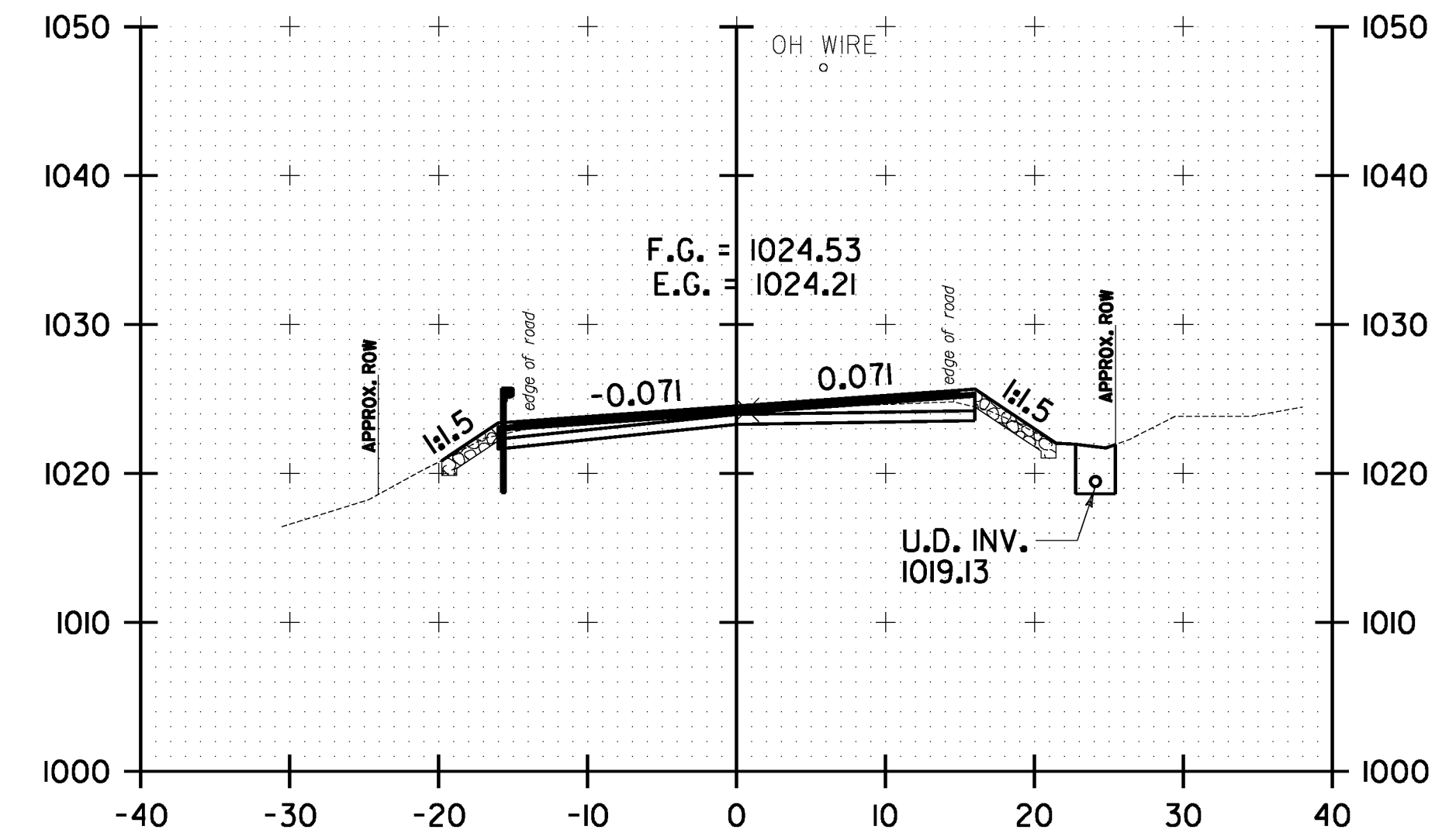
FILE NAME = U:\1762\CA00\MST\STP_2506\p05b048_Conv.eet_Plan.dgn
 DATE/TIME = 12/20/2012
 USER = 4866



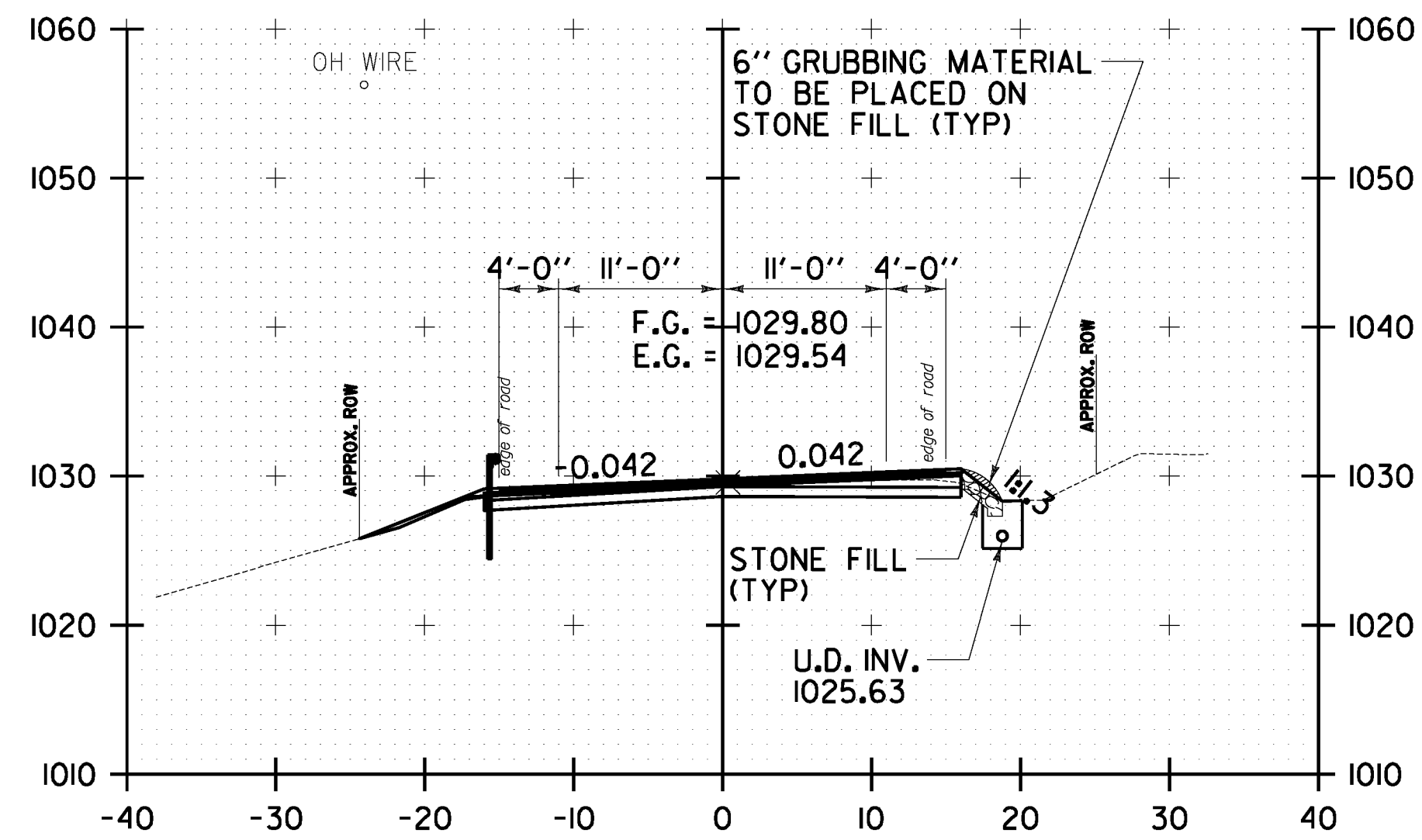
121+50.00



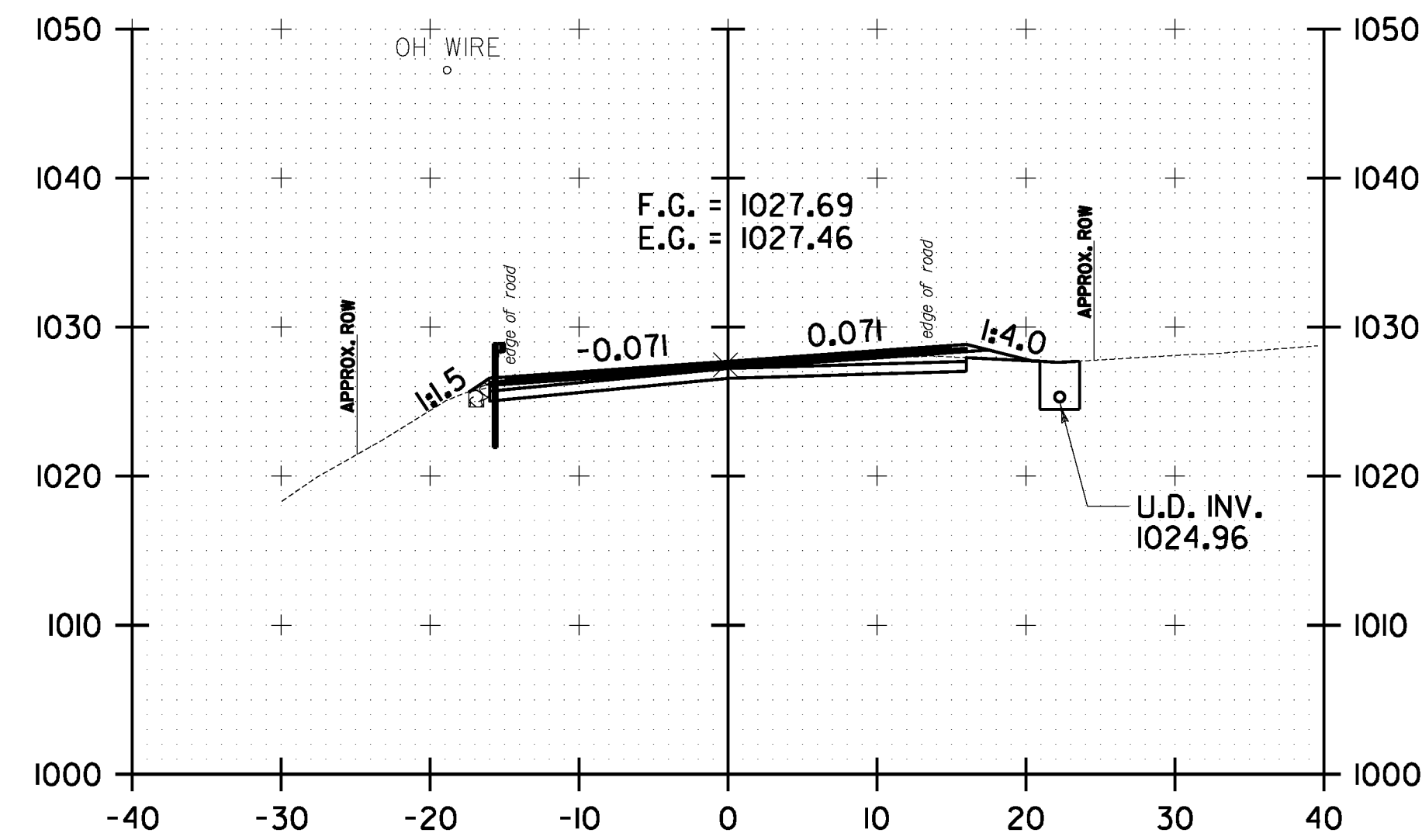
122+50.00



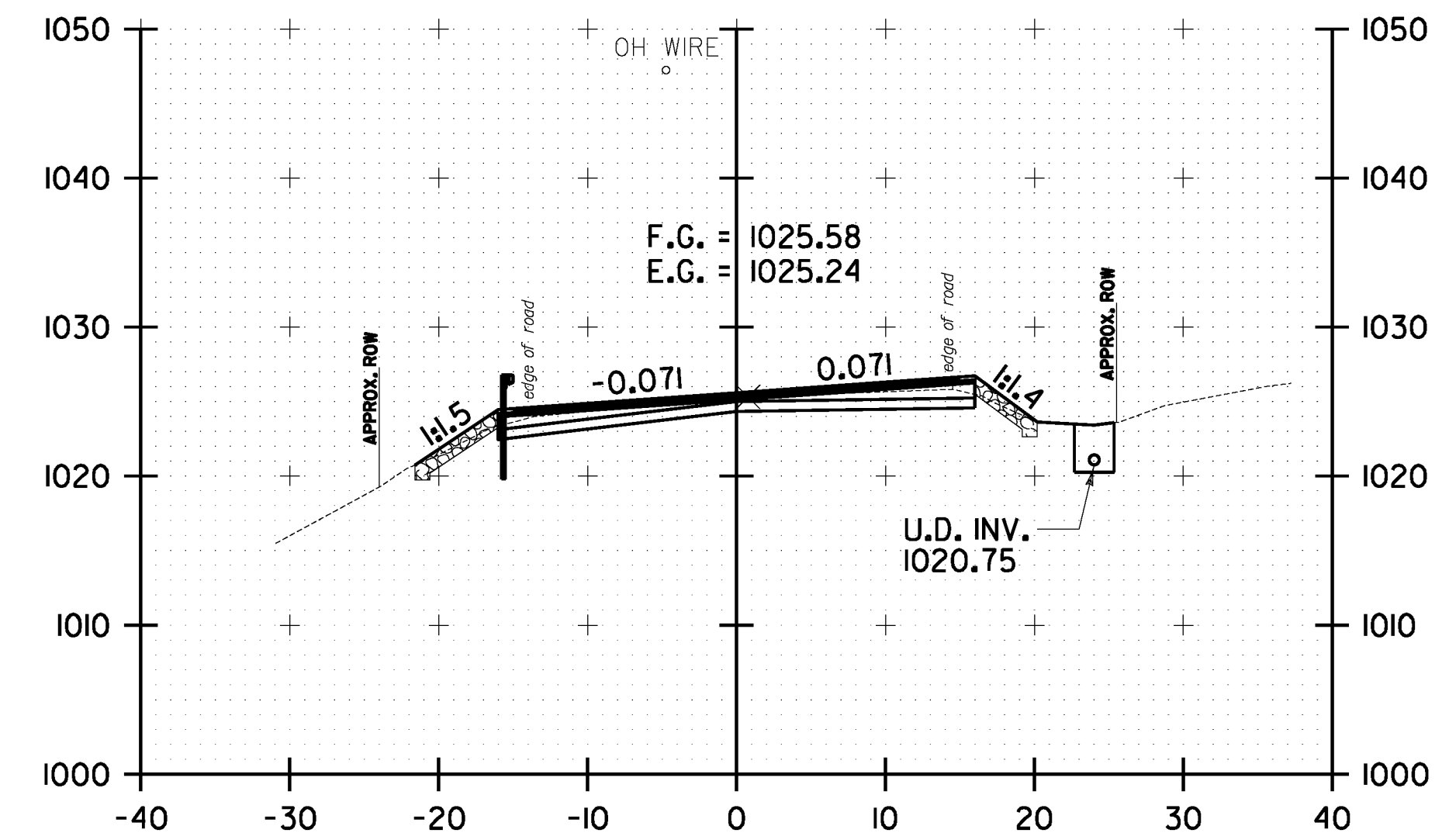
123+50.00



121+00.00



122+00.00



123+00.00



**WARREN
CROSS SECTION
SHEET #26**

PROJECT NAME: WARREN-WAITSFIELD

PROJECT NUMBER: STP 2506(1)

FILE NAME: p05b048.dgn

PROJECT LEADER: D.E.G.

DESIGNED BY: M.J.M.

IPARM FILE: p05b048xs26.1

PLOT DATE: 12/20/2012

DRAWN BY: W.G.P.

CHECKED BY: D.E.G.

SHEET 189 OF 310