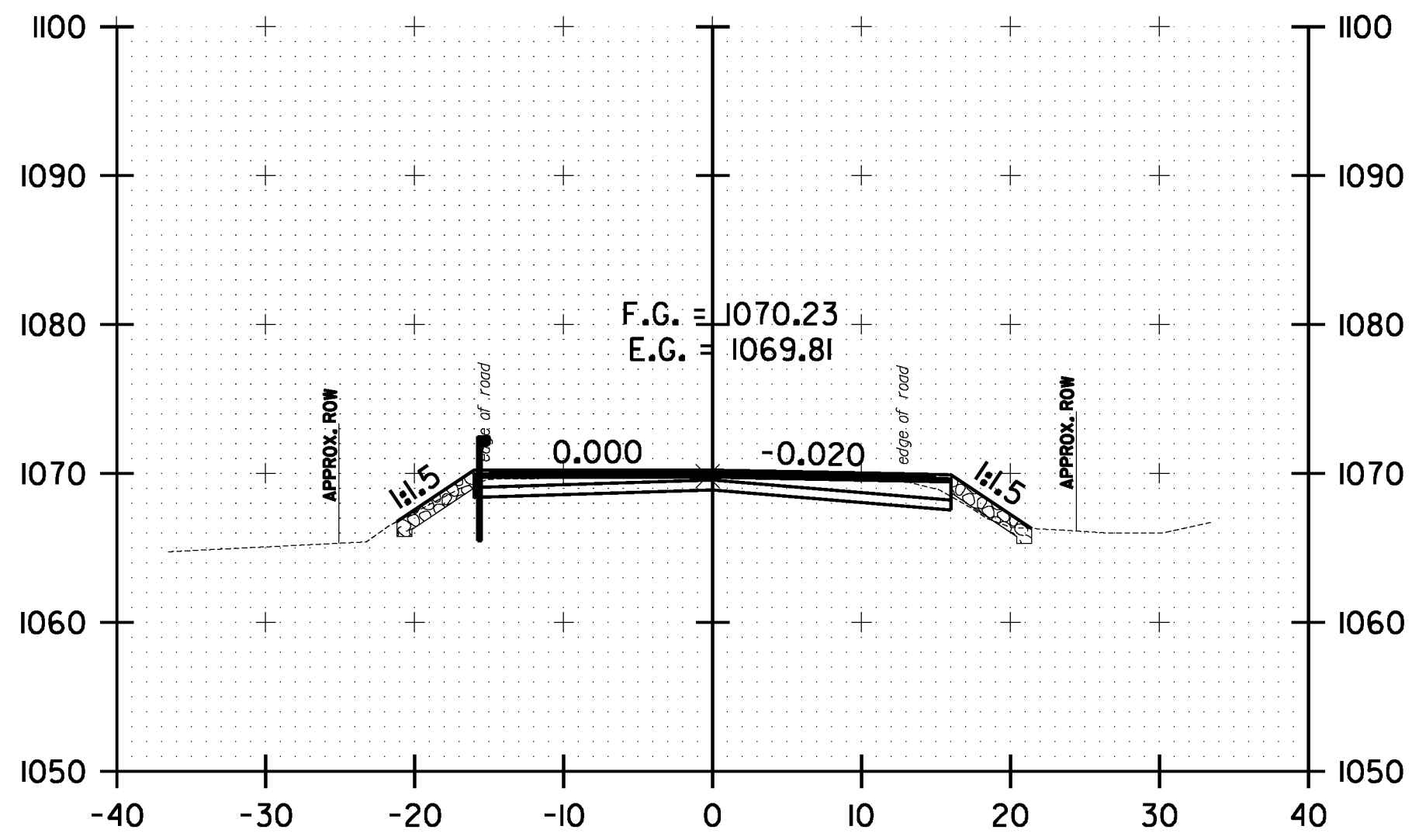
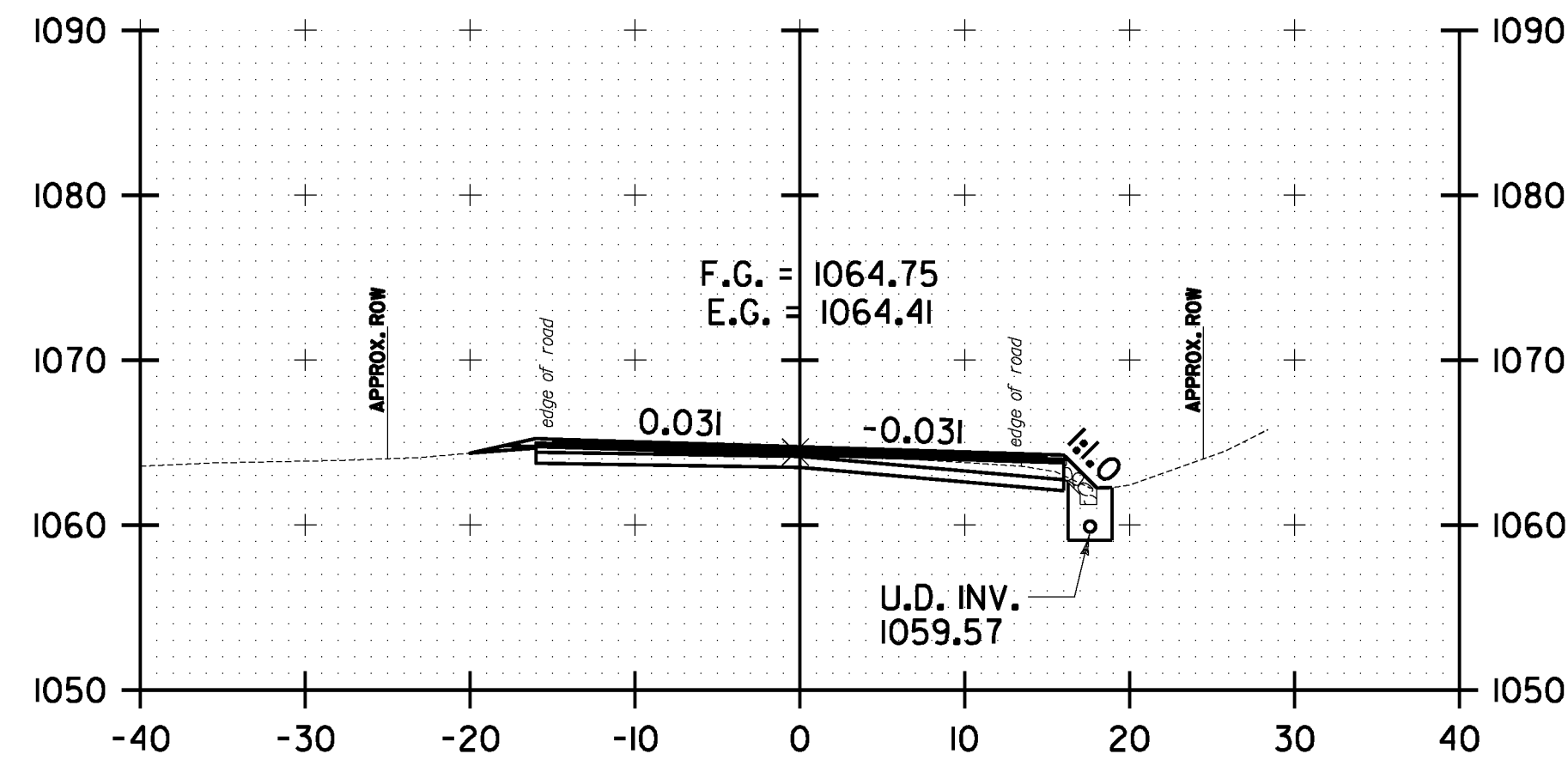


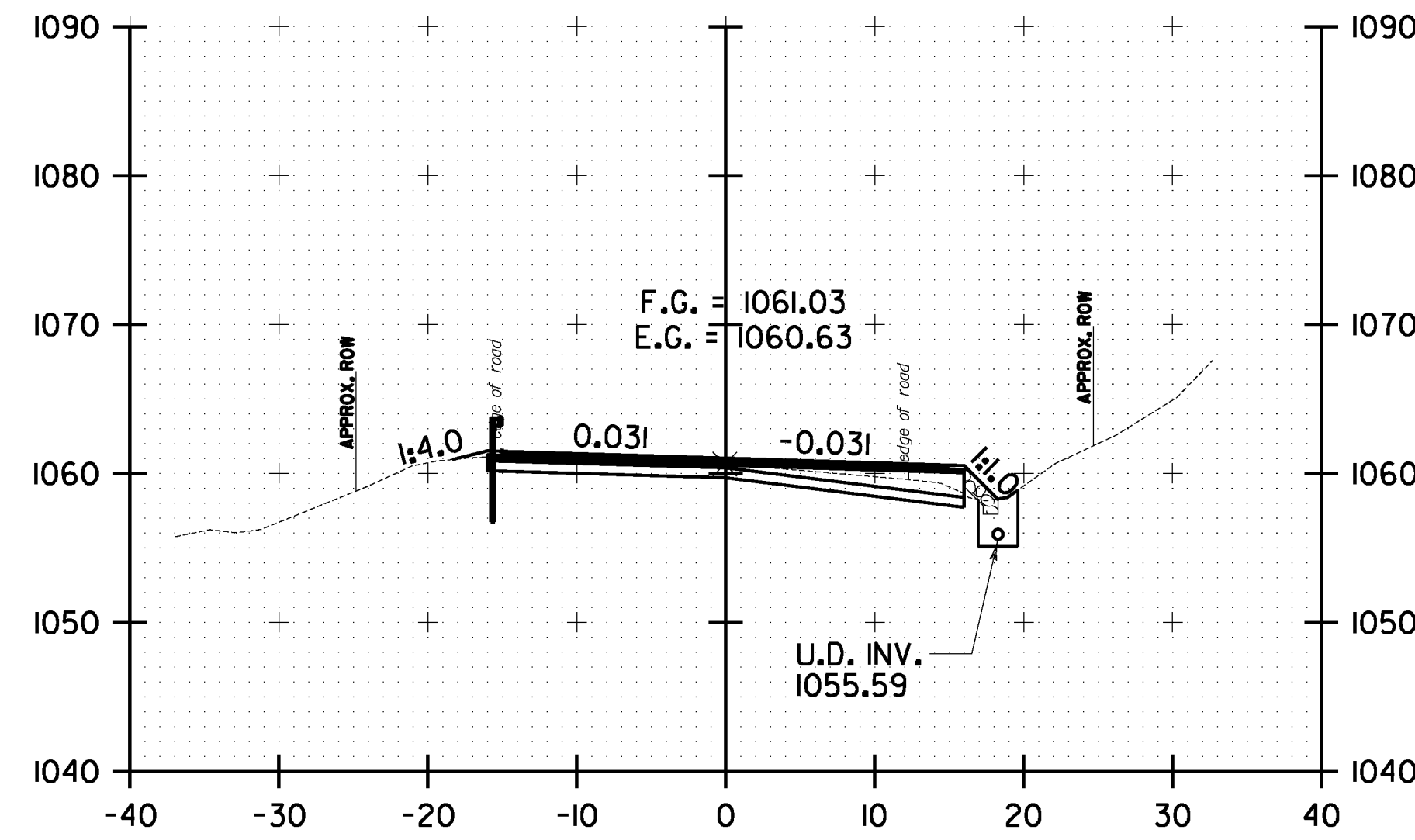
FILE NAME: U:\1762\CA00\MST\STP\_2506\p05b048.Conv.eot Plana.dgn  
 DATE/TIME: 12/20/2012  
 USER: 4866



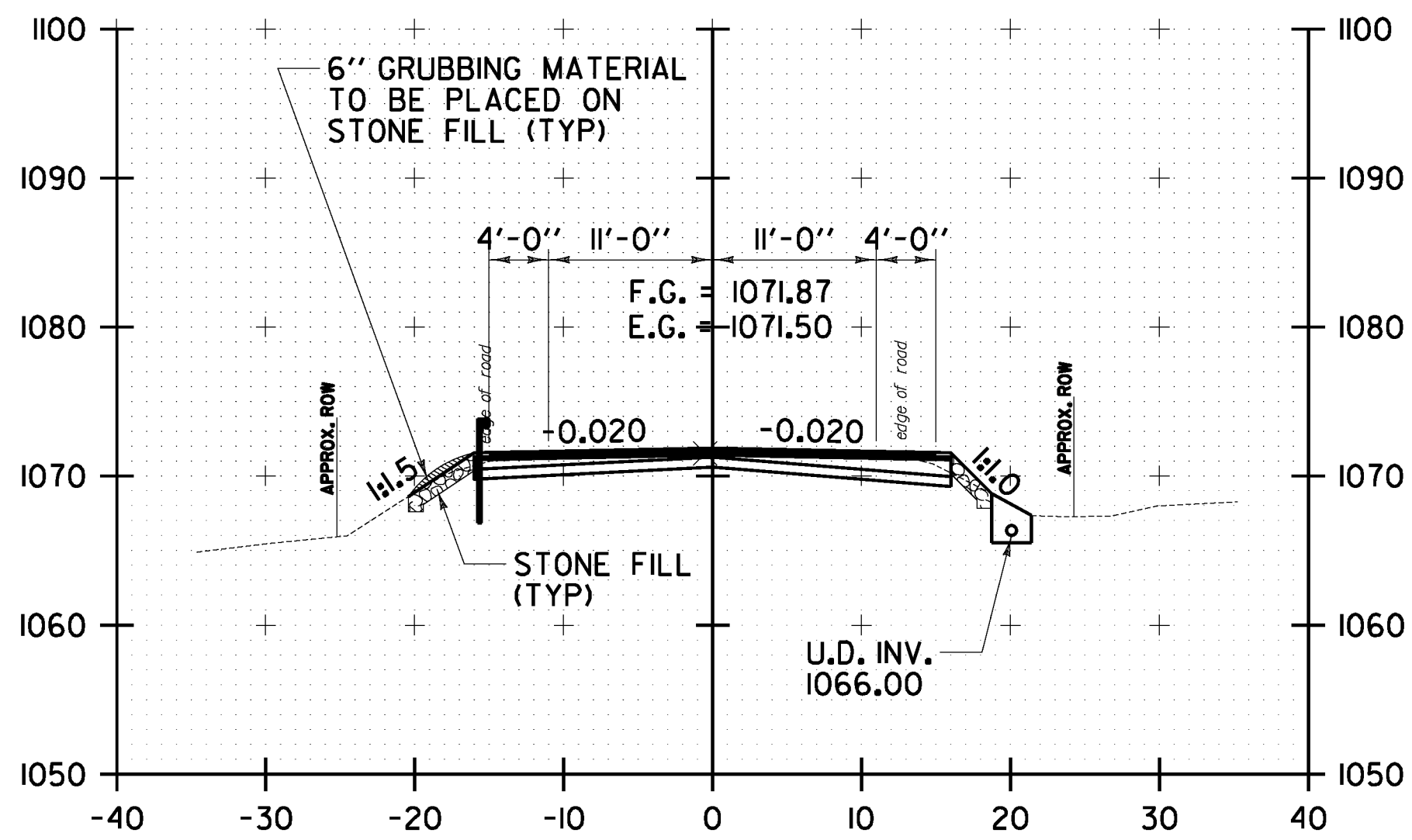
106+00.00



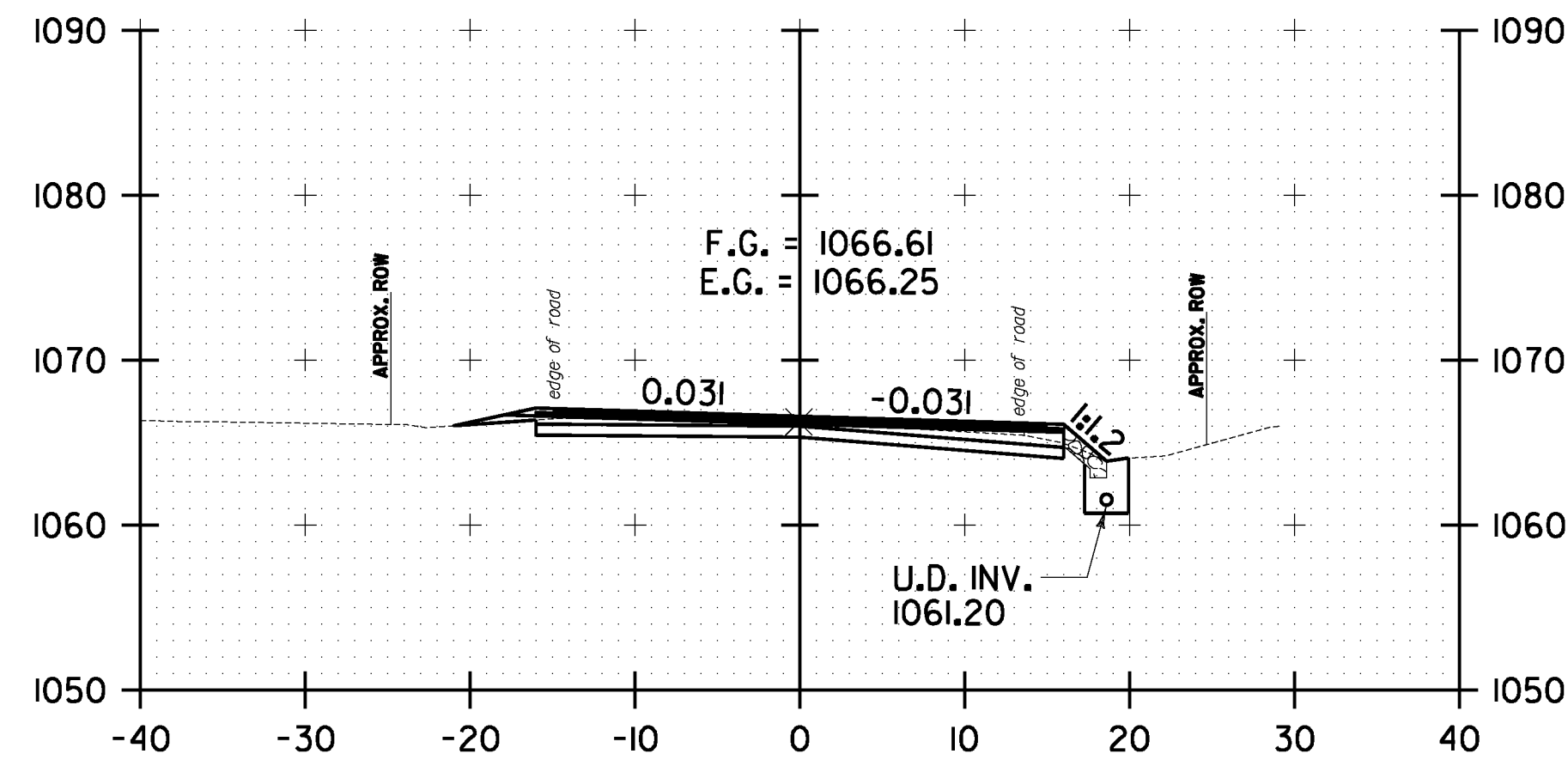
107+50.00



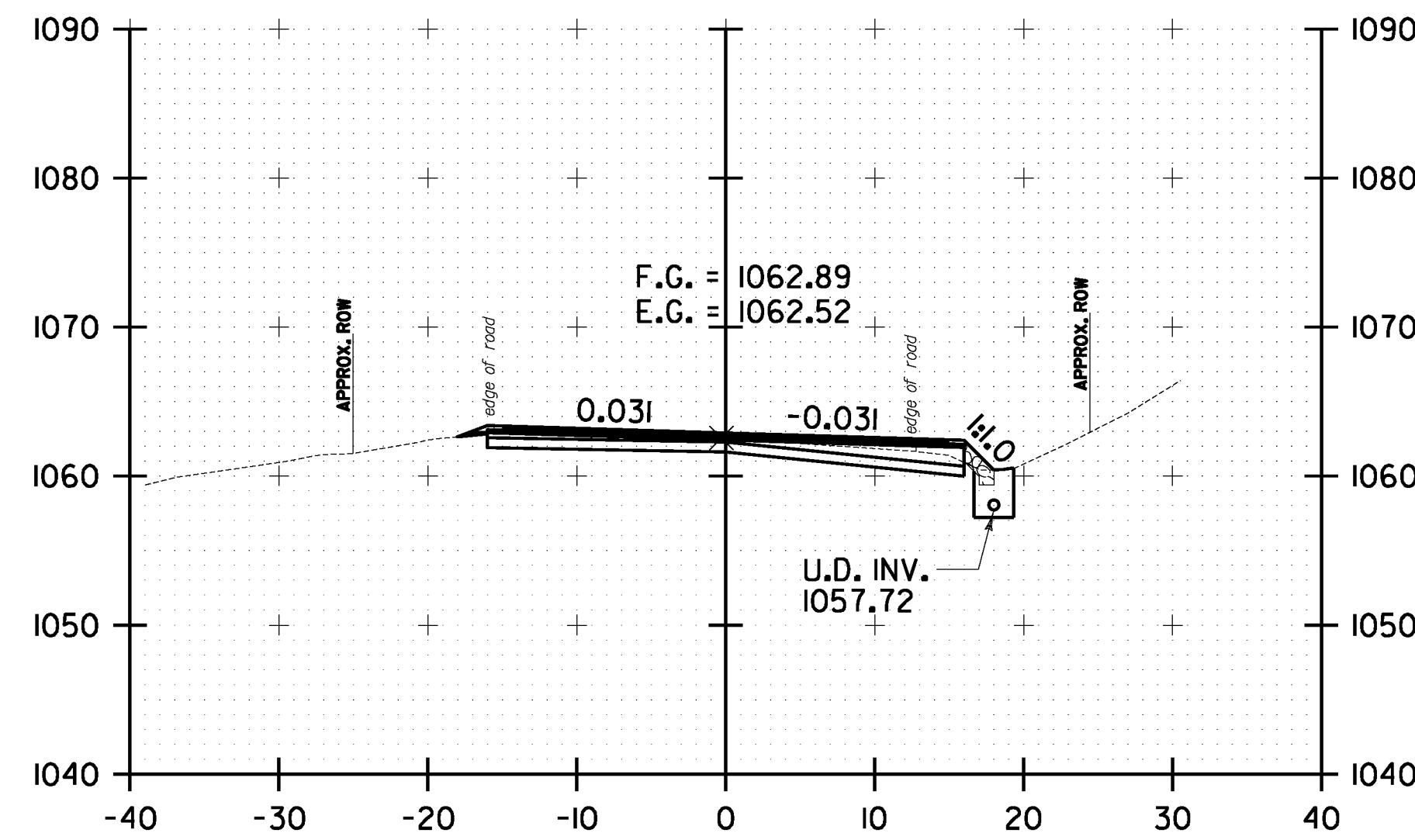
108+50.00



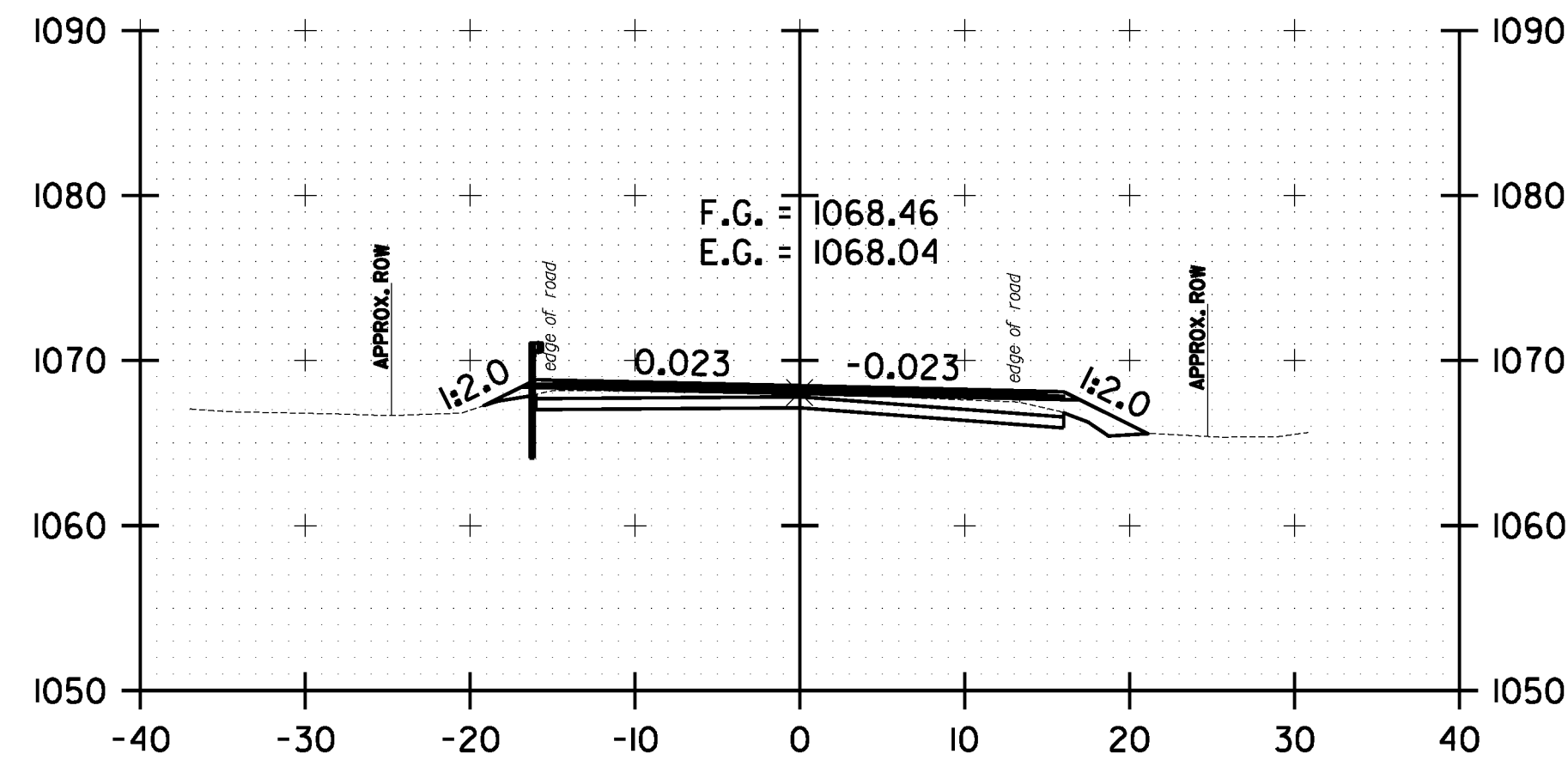
105+50.00



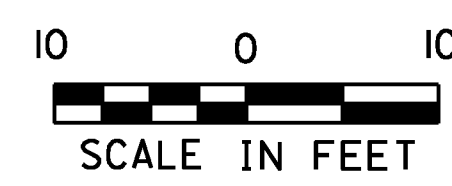
107+00.00



108+00.00



106+50.00



**WARREN  
 CROSS SECTION  
 SHEET #21**

PROJECT NAME: WARREN-WAITSFIELD	PLOT DATE: 12/20/2012
PROJECT NUMBER: STP 2506(1)	DRAWN BY: W.G.P.
FILE NAME: p05b048.dgn	CHECKED BY: D.E.G.
PROJECT LEADER: D.E.G.	SHEET 184 OF 310
DESIGNED BY: M.J.M.	
IPARM FILE: p05b048xs21.i	