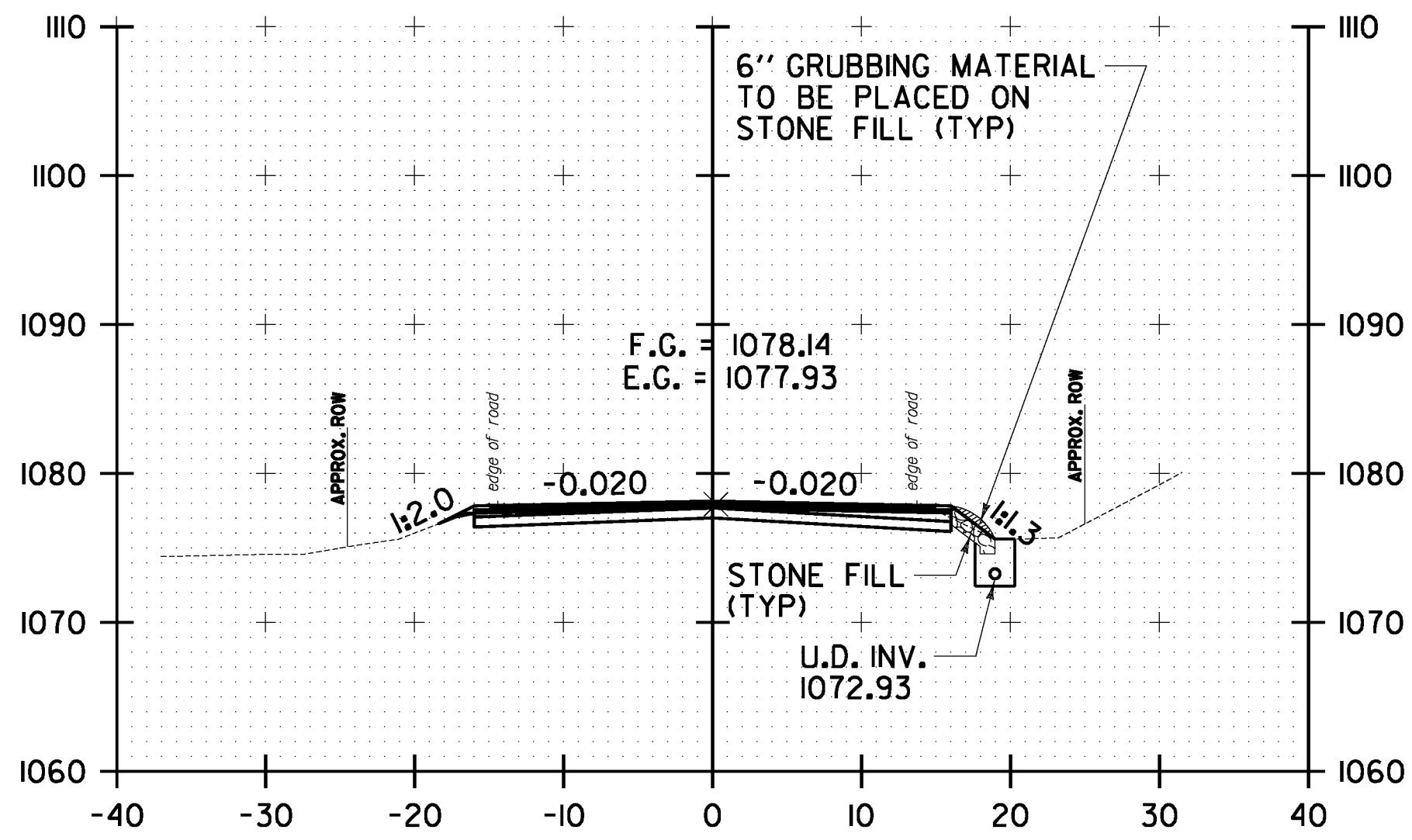
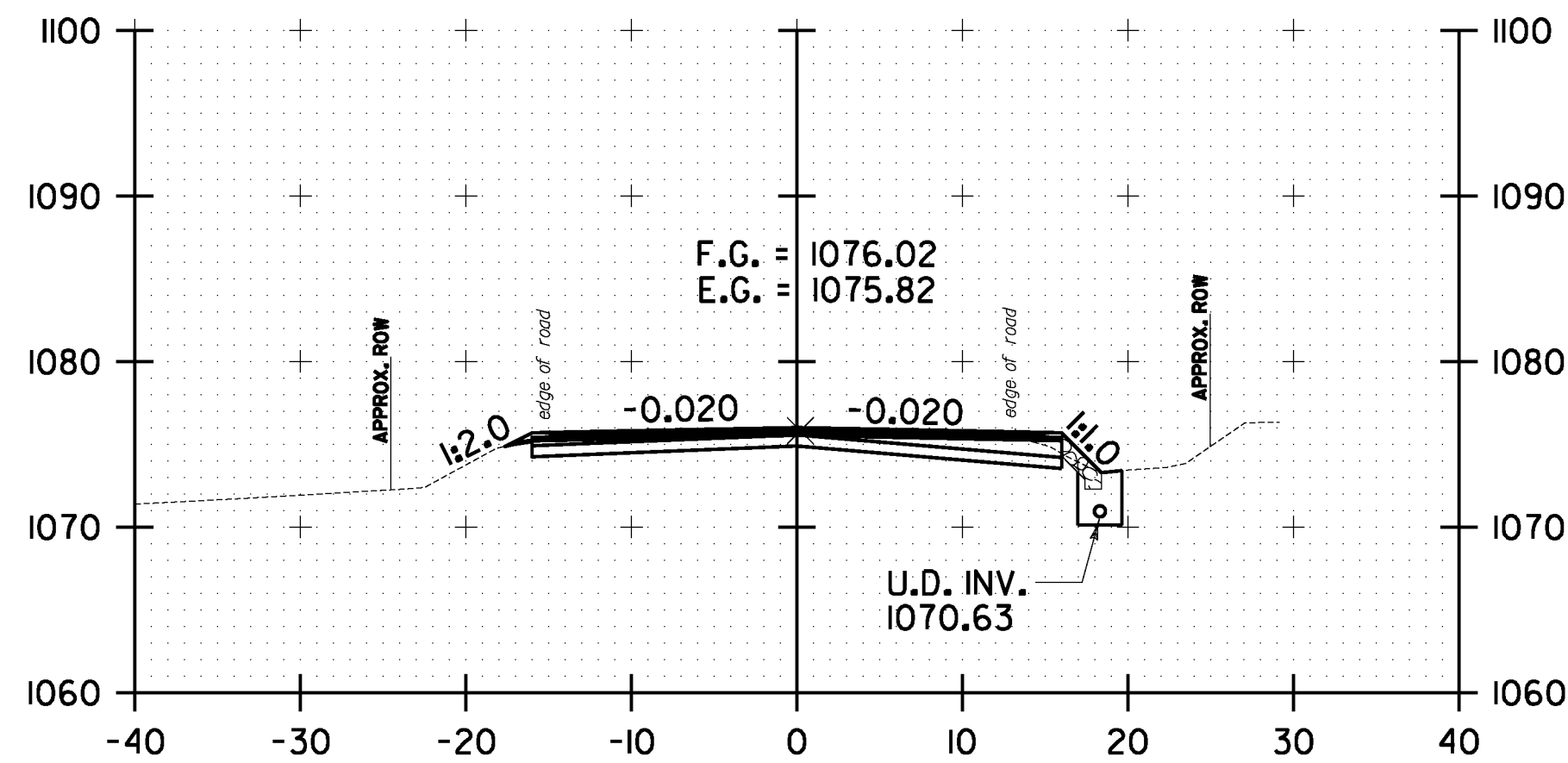


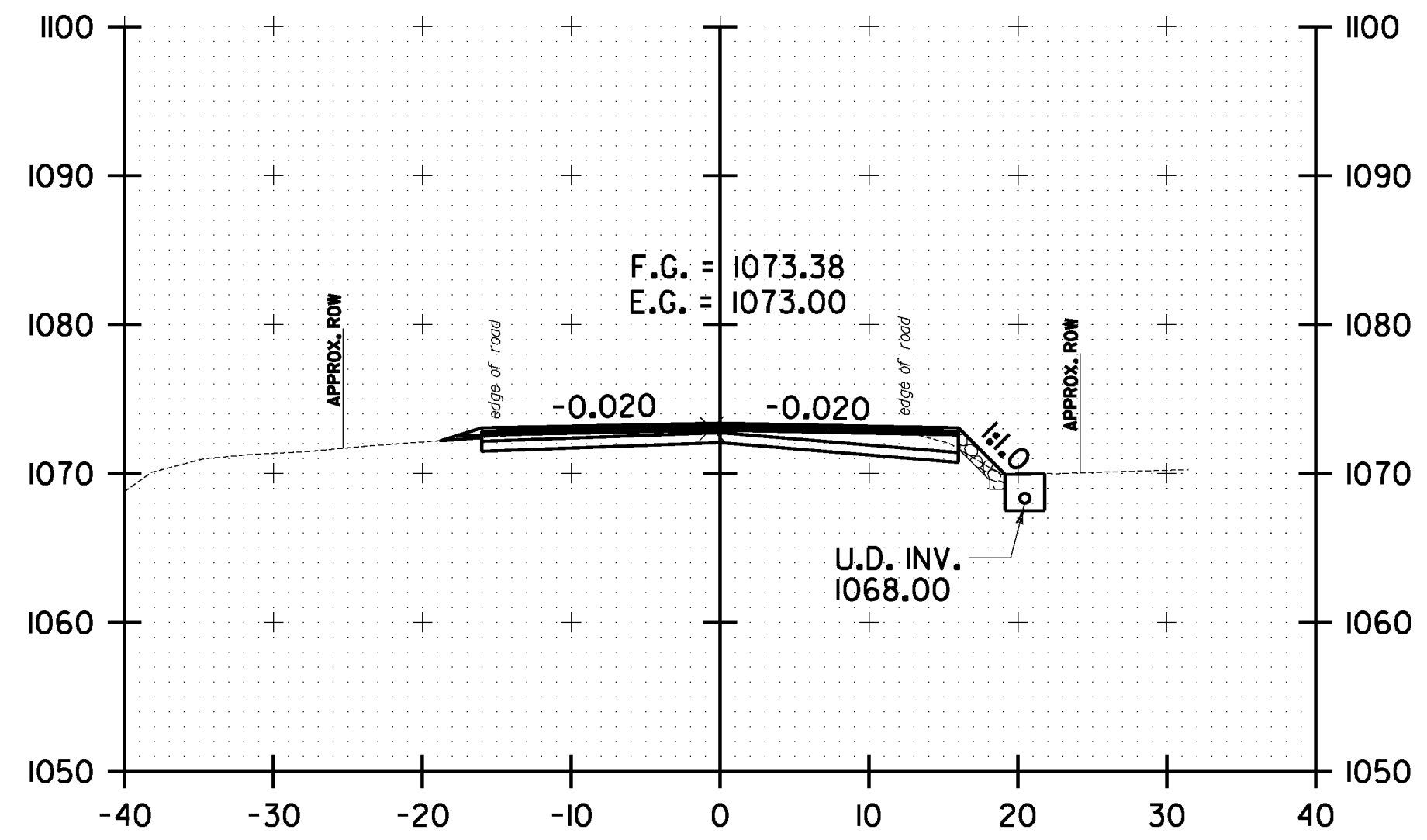
FILE NAME: U:\1762\CA00\MST\STP_2506\p05b048_Conv.eet_Plan.dgn
 DATE/TIME: 12/20/2012
 USER: 4866



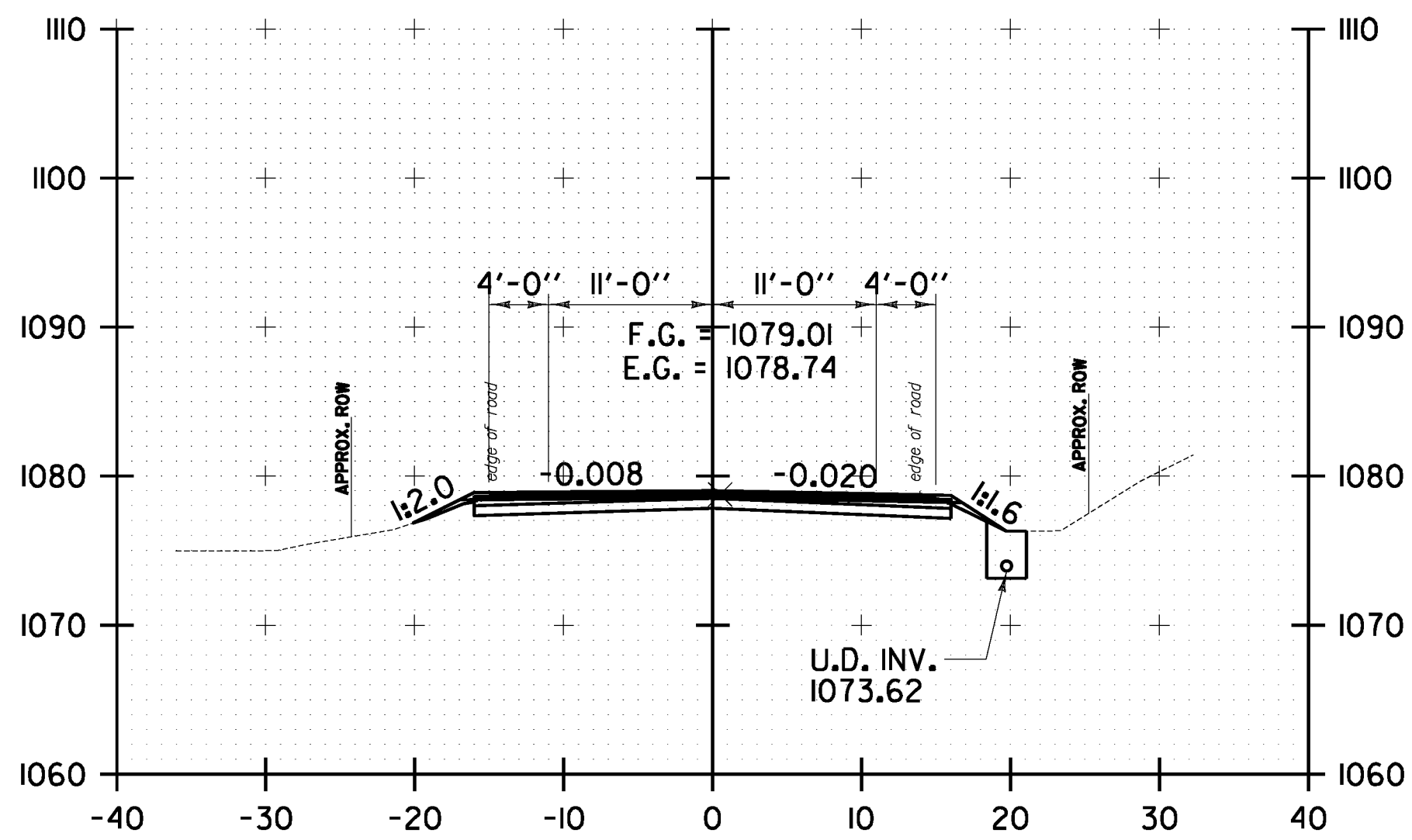
103+00.00



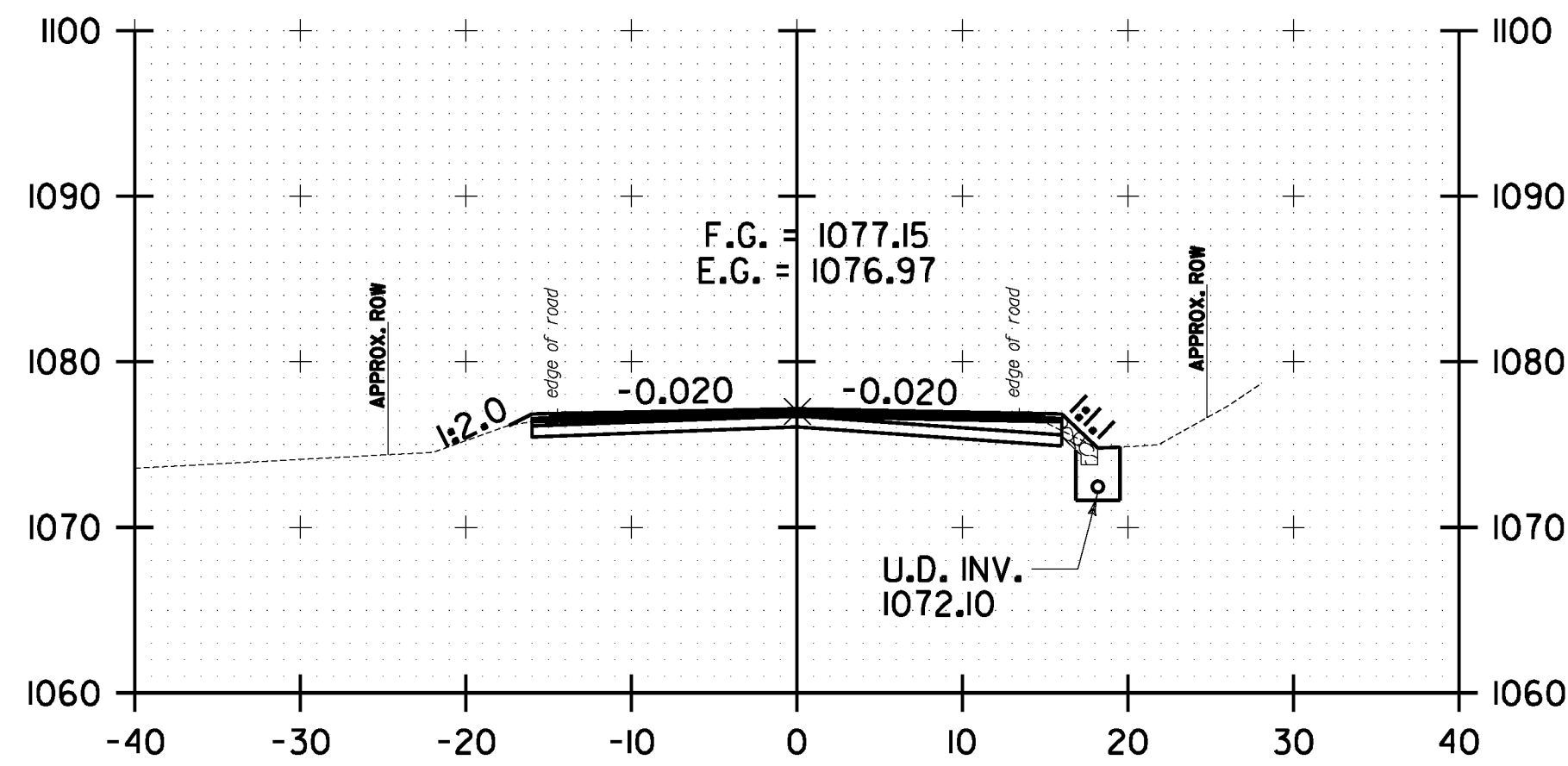
104+00.00



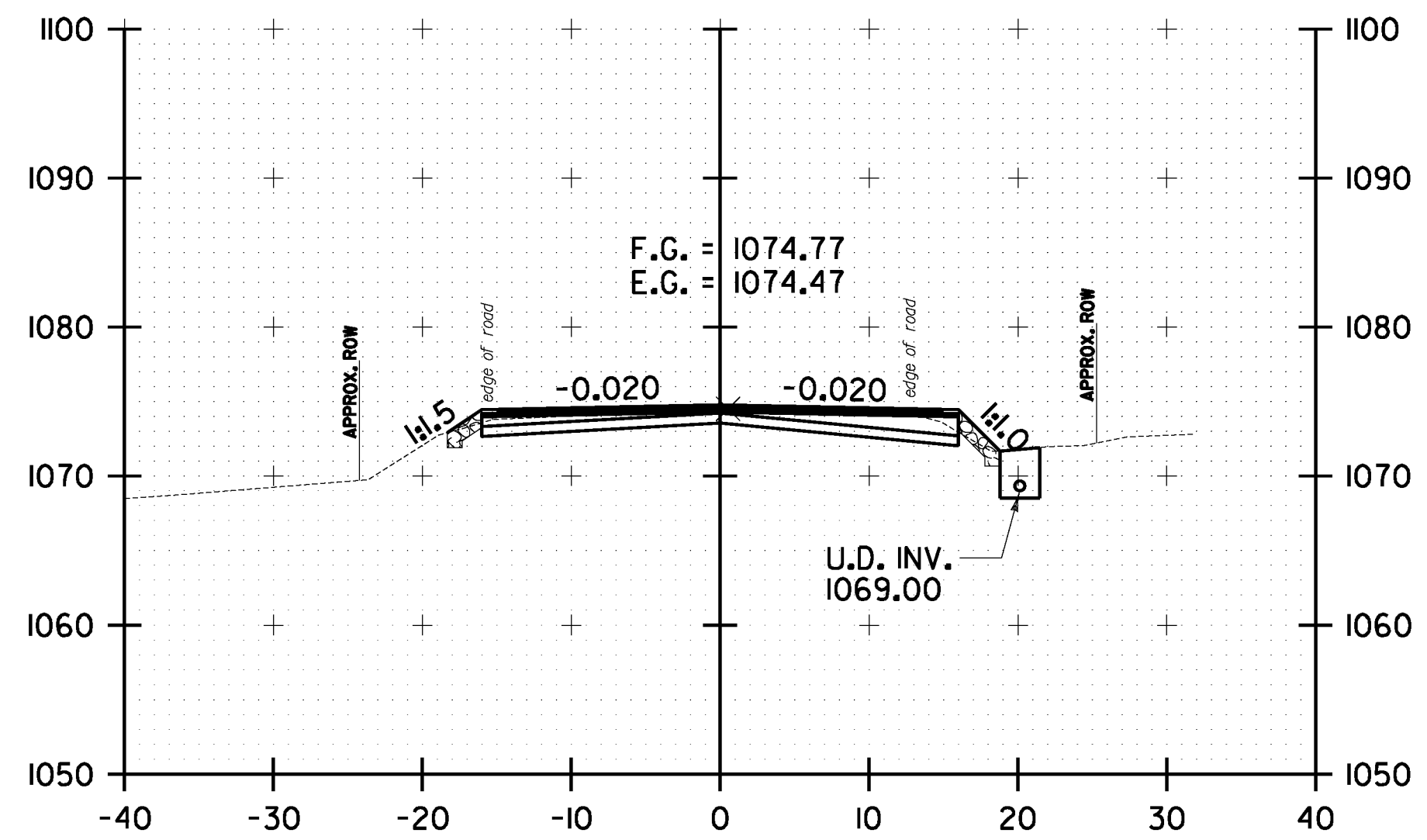
105+00.00



102+50.00



103+50.00



104+50.00



**WARREN
 CROSS SECTION
 SHEET #20**

PROJECT NAME: WARREN-WAITSFIELD

PROJECT NUMBER: STP 2506(1)

FILE NAME: p05b048.dgn

PROJECT LEADER: D.E.G.

DESIGNED BY: M.J.M.

IPARM FILE: p05b048xs20.j

PLOT DATE: 12/20/2012

DRAWN BY: W.G.P.

CHECKED BY: D.E.G.

SHEET 183 OF 310