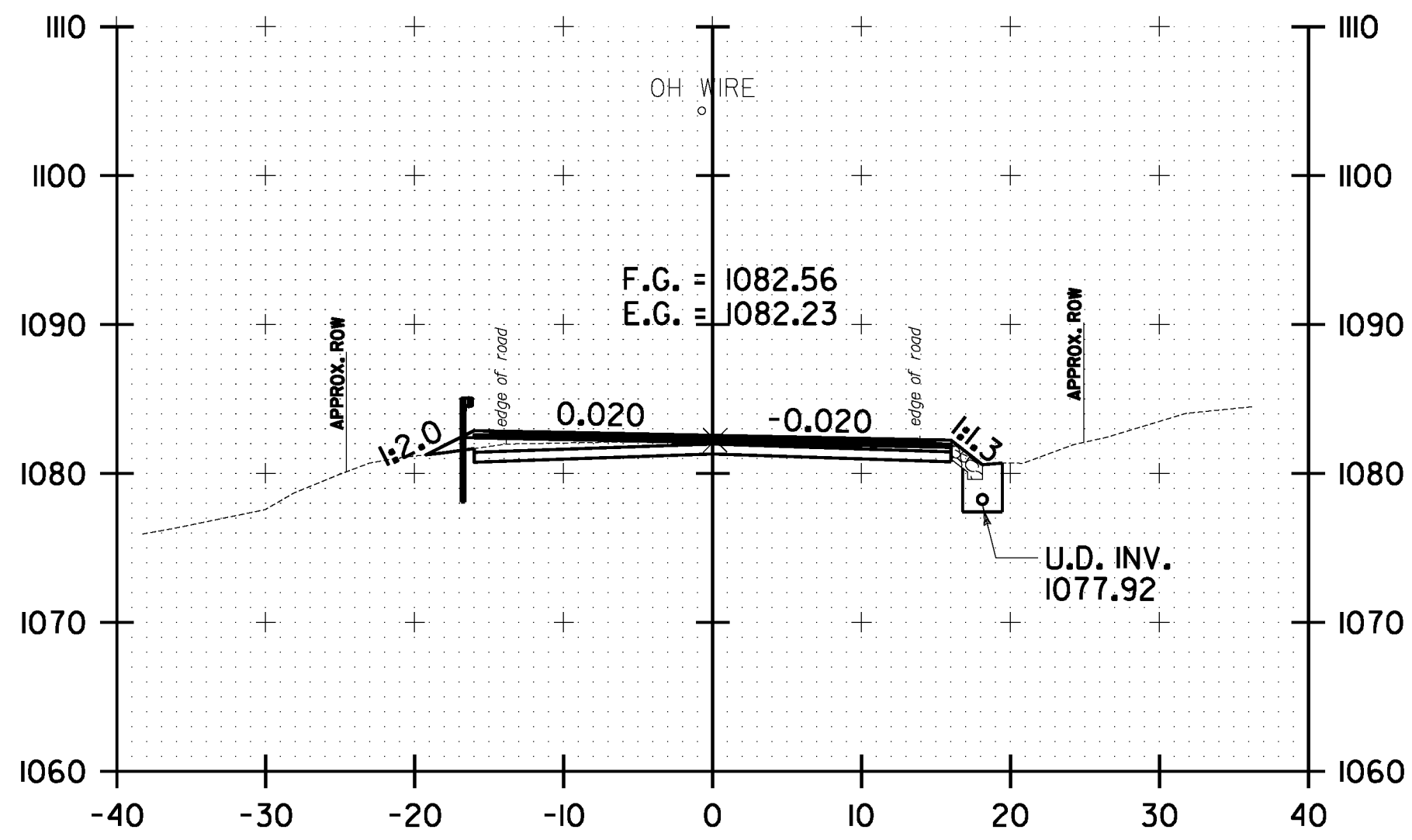
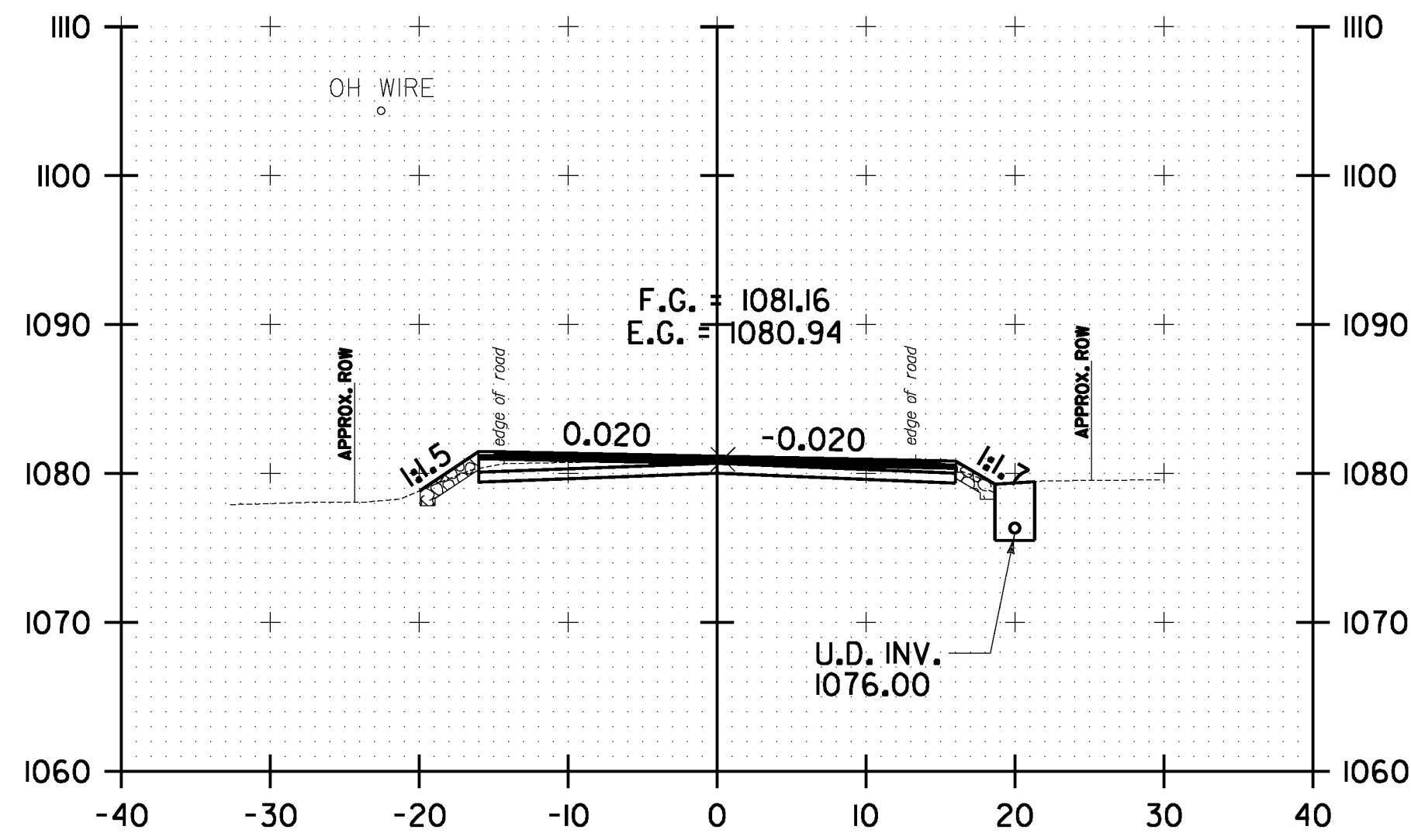


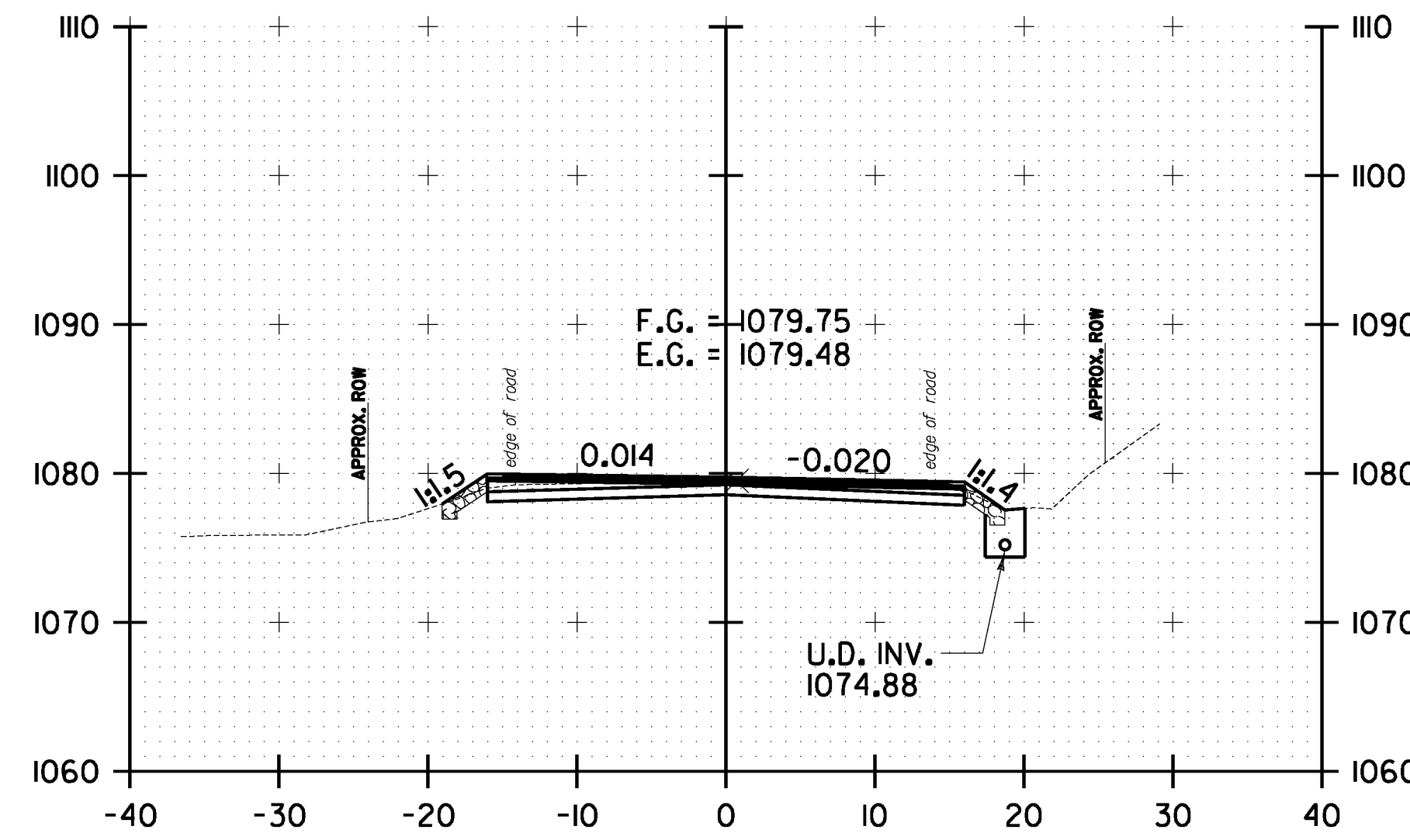
FILE NAME: U:\1762\CA00\MST\STP\_2506\p05b048.Convect Plans.dgn  
 DATE/TIME: 12/20/2012  
 USER: 4866



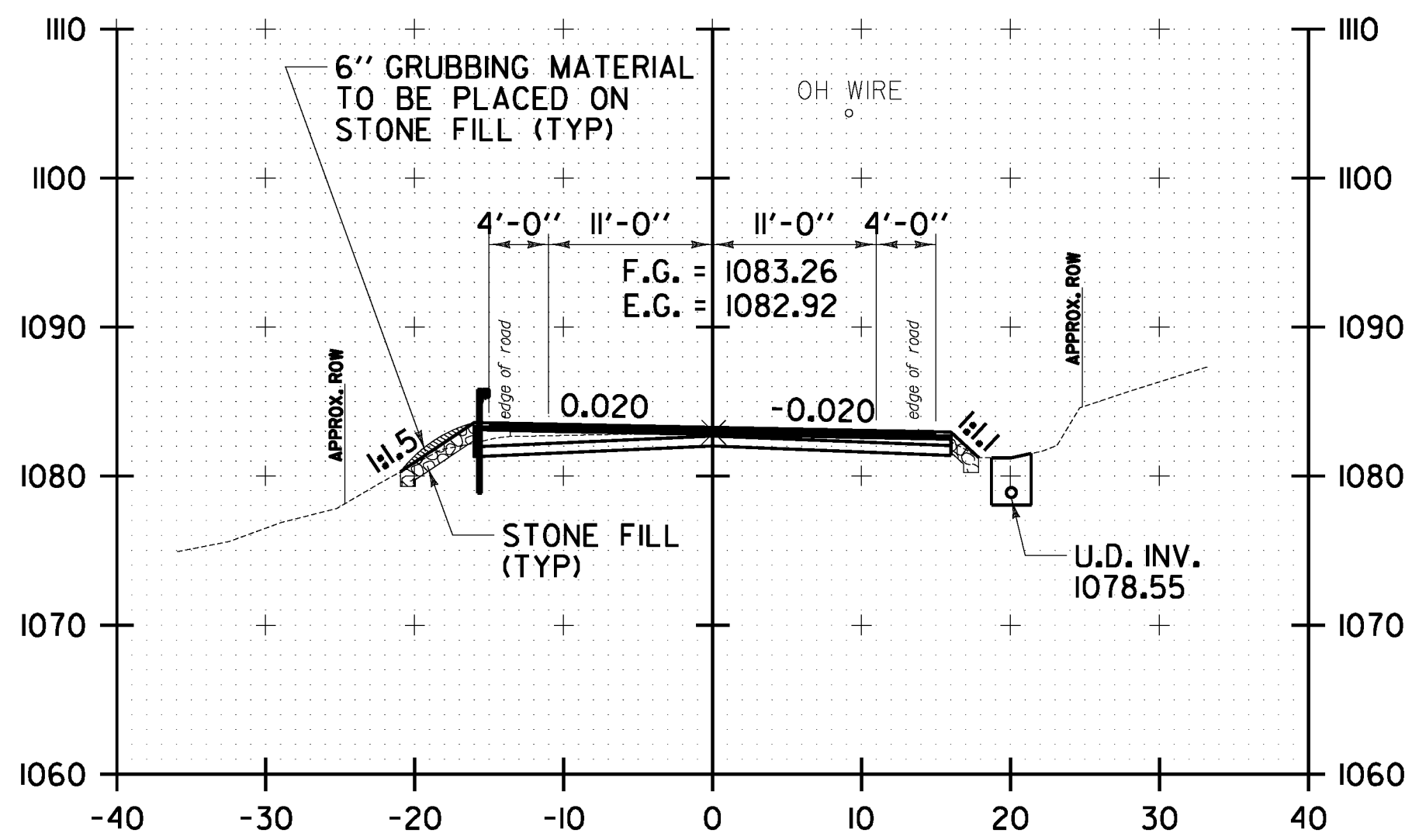
100+00.00



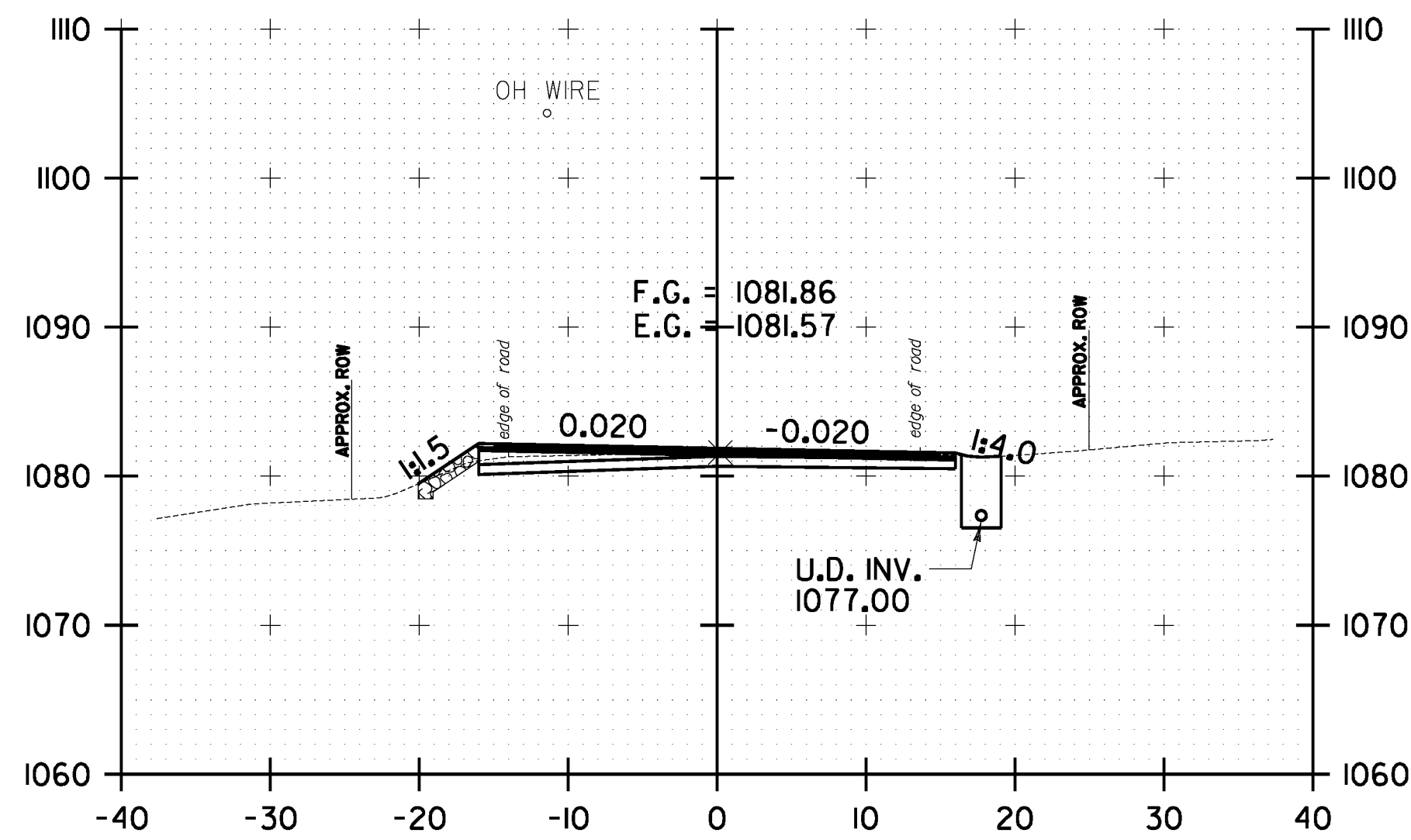
101+00.00



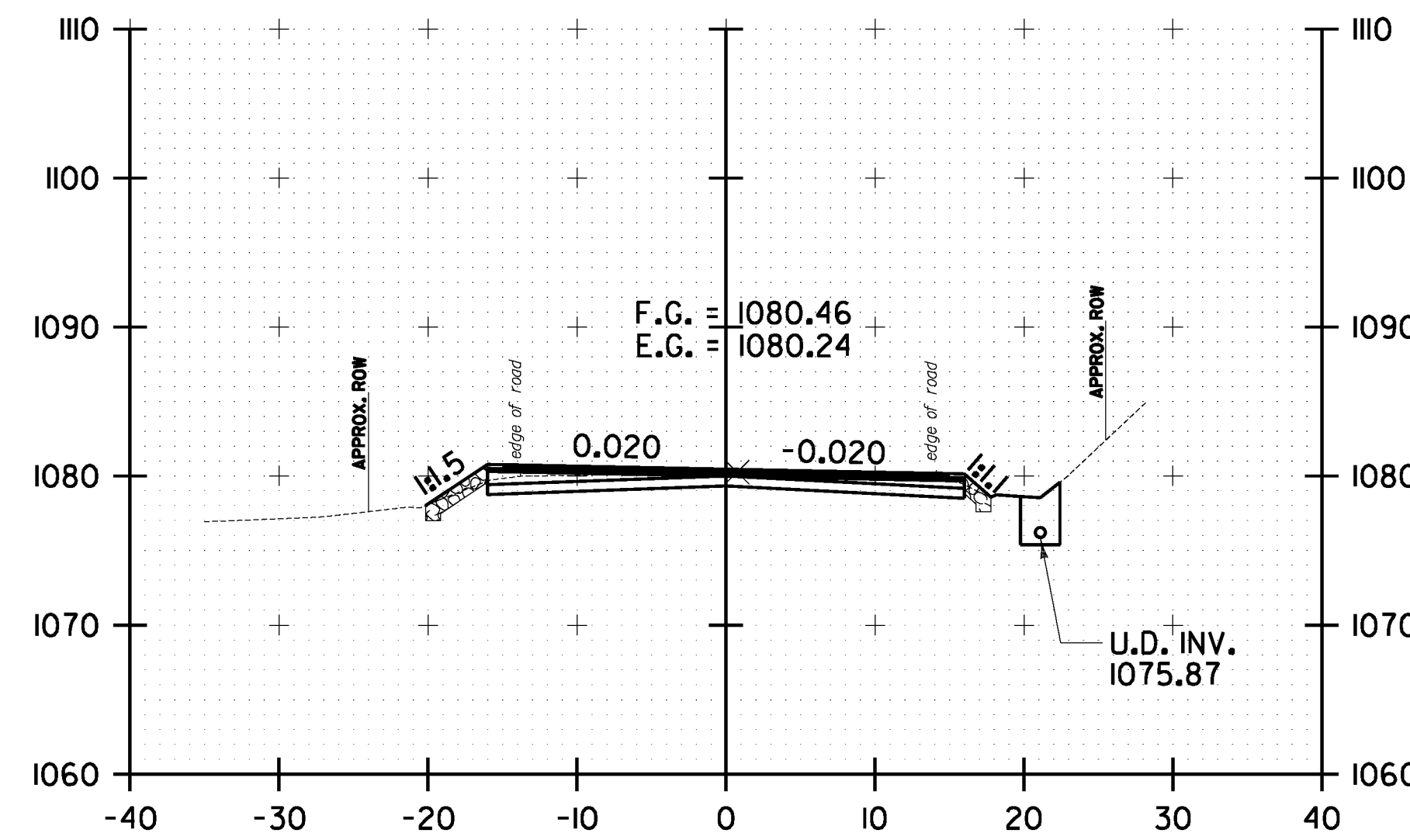
102+00.00



99+50.00



100+50.00



101+50.00



**WARREN  
 CROSS SECTION  
 SHEET #19**

PROJECT NAME: WARREN-WAITSFIELD

PROJECT NUMBER: STP 2506(1)

FILE NAME: p05b048.dgn

PROJECT LEADER: D.E.G.

DESIGNED BY: M.J.M.

IPARM FILE: p05b048.xs19.1

PLOT DATE: 12/20/2012

DRAWN BY: W.G.P.

CHECKED BY: D.E.G.

SHEET 182 OF 310