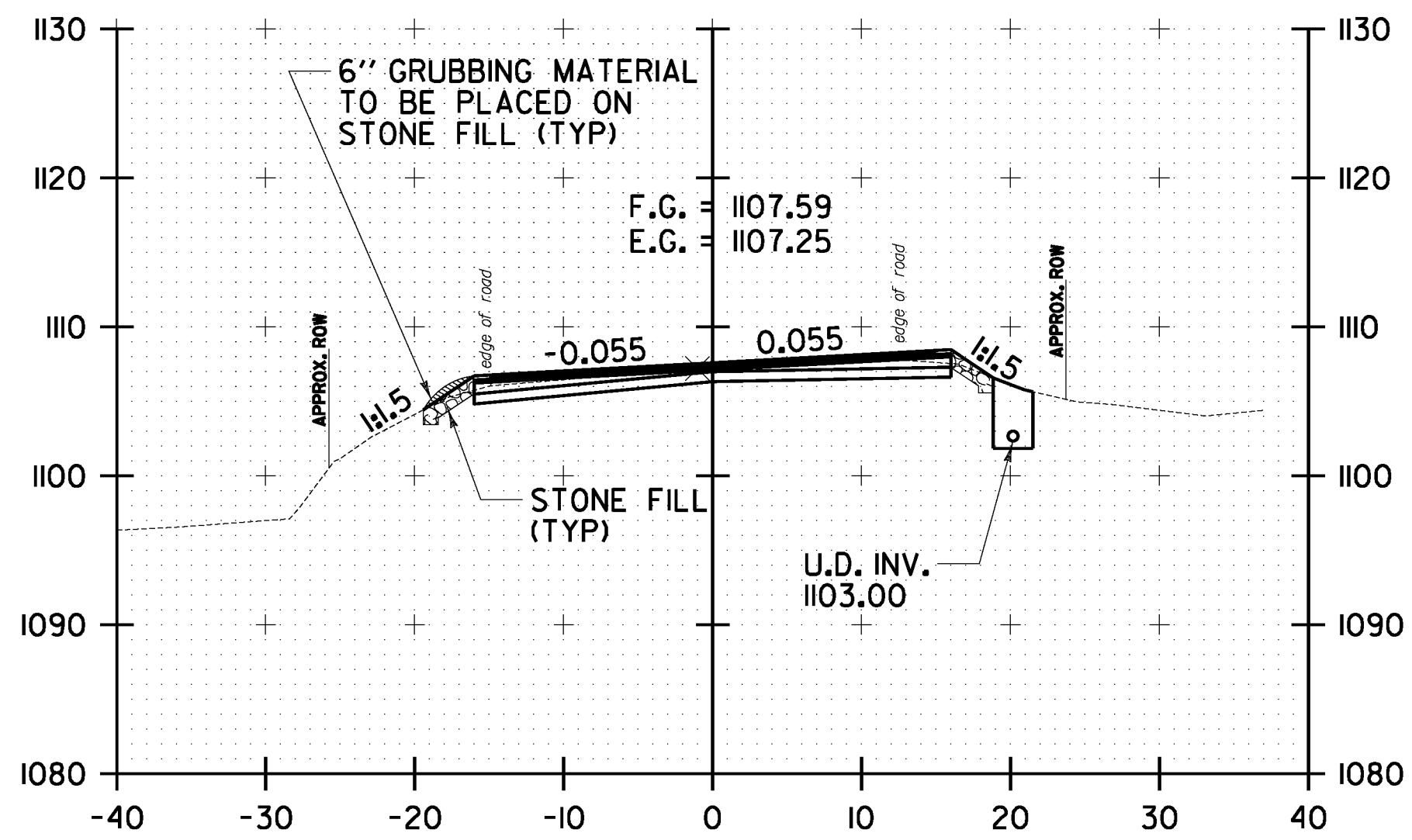
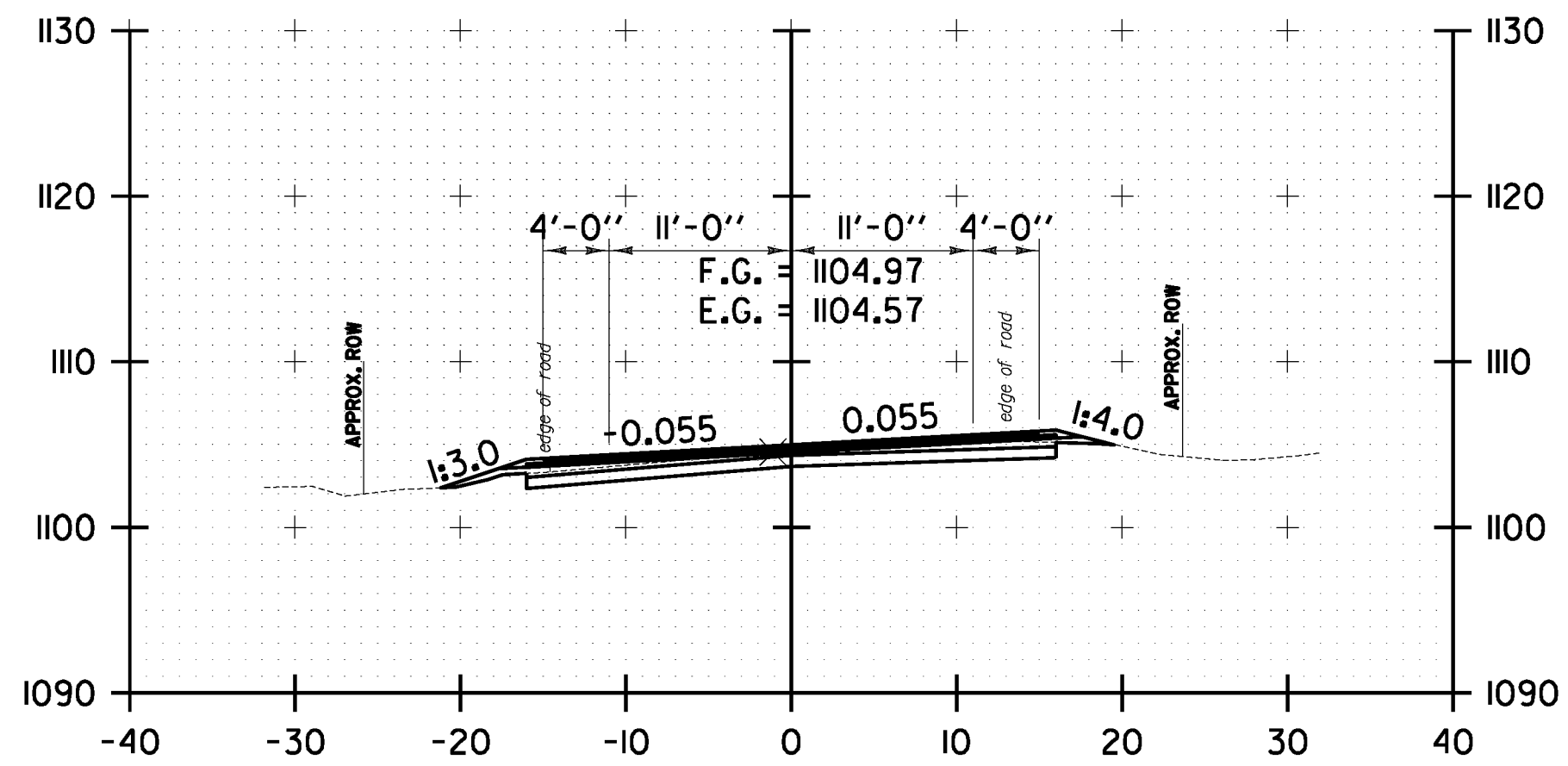


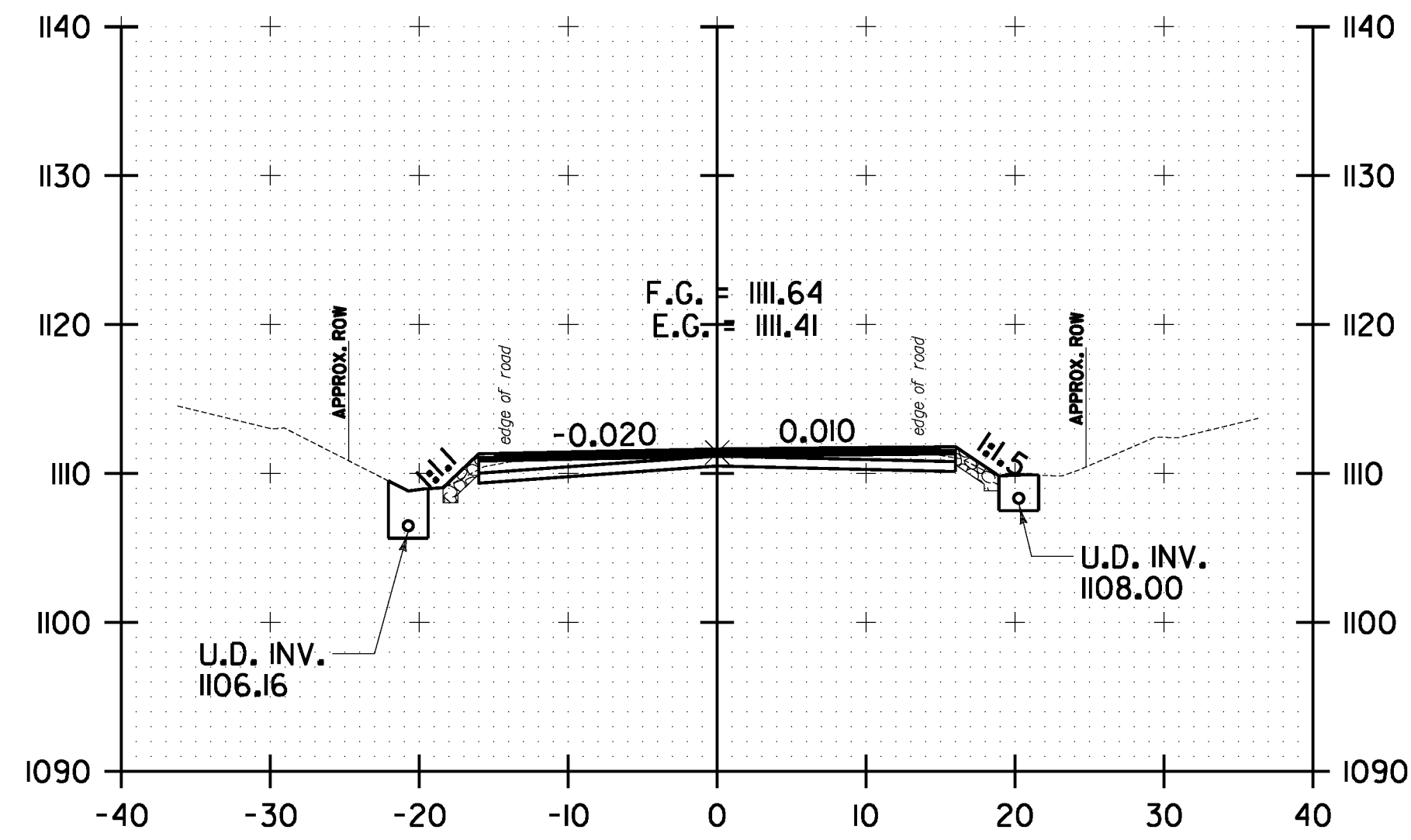
FILE NAME: U:\1762\CADD\MSTN\STP_2506\p05b048_Conv.eas_Plan.dgn
 DATE/TIME: 12/20/2012
 USER: 4866



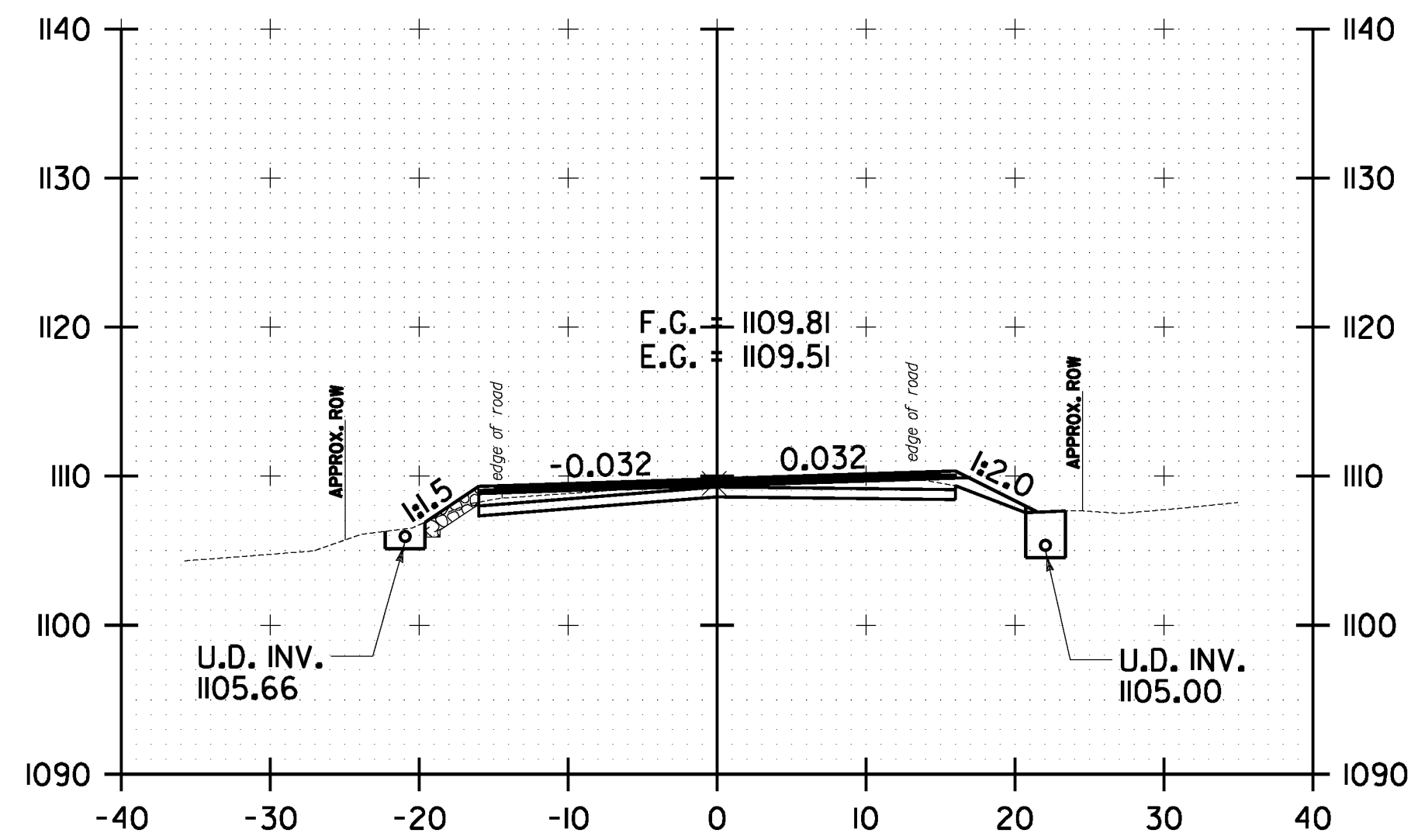
85+00.00



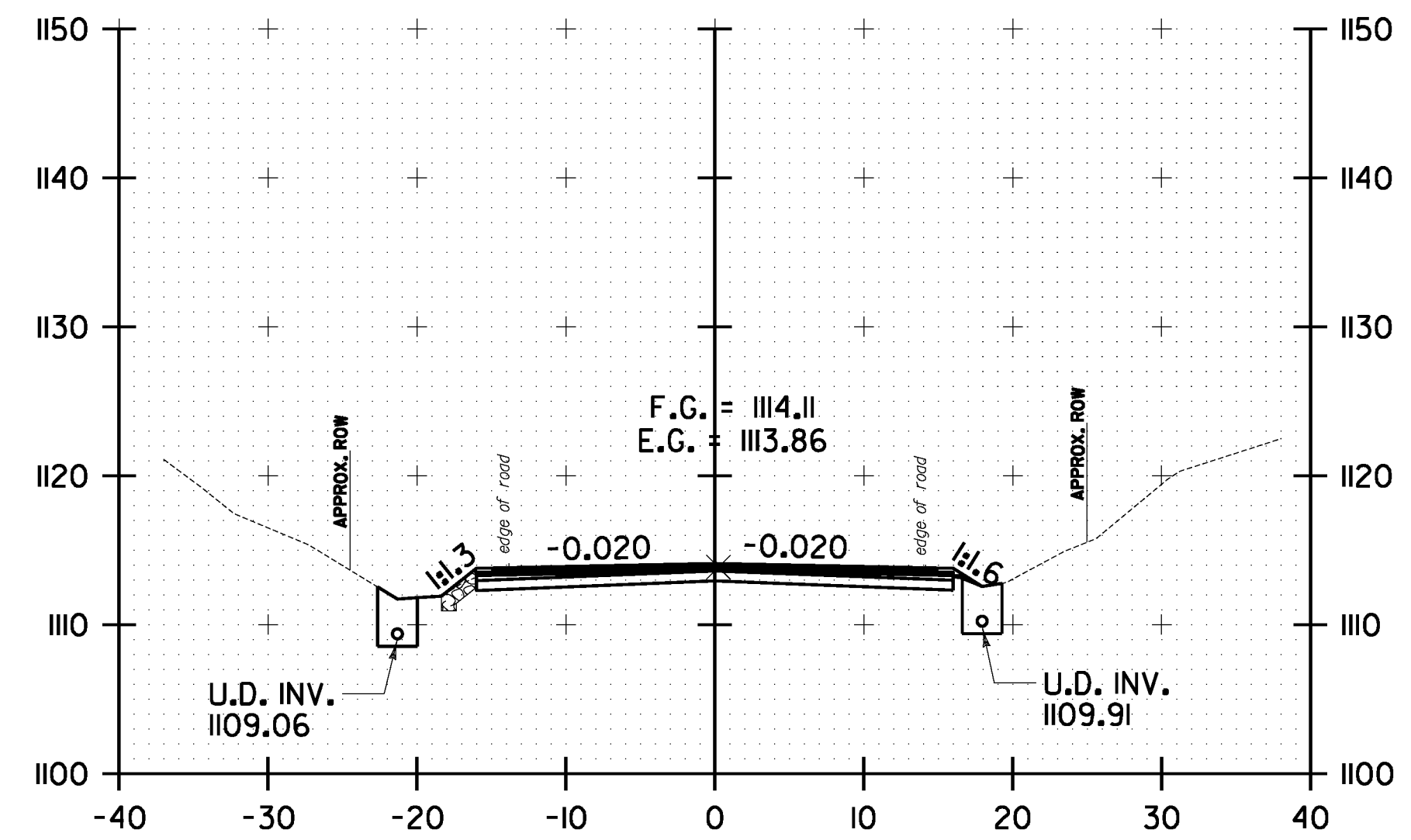
84+50.00



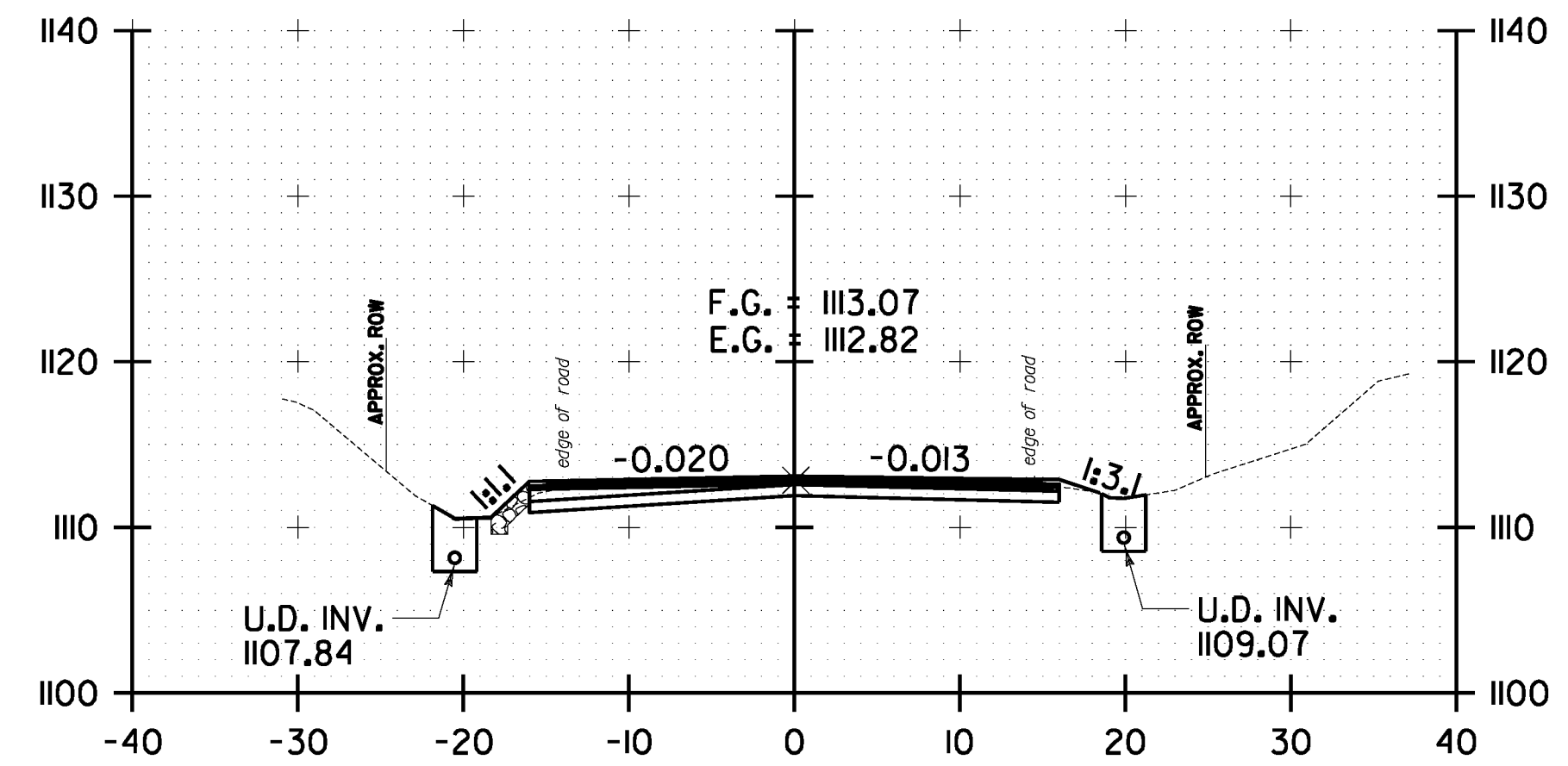
86+00.00



85+50.00



87+00.00



86+50.00



**WARREN
 CROSS SECTION
 SHEET #14**

PROJECT NAME: WARREN-WAITSFIELD

PROJECT NUMBER: STP 2506(1)

FILE NAME: p05b048.dgn

PROJECT LEADER: D.E.G.

DESIGNED BY: M.J.M.

IPARM FILE: p05b048xsl4.1

PLOT DATE: 12/20/2012

DRAWN BY: W.G.P.

CHECKED BY: D.E.G.

SHEET 177 OF 310