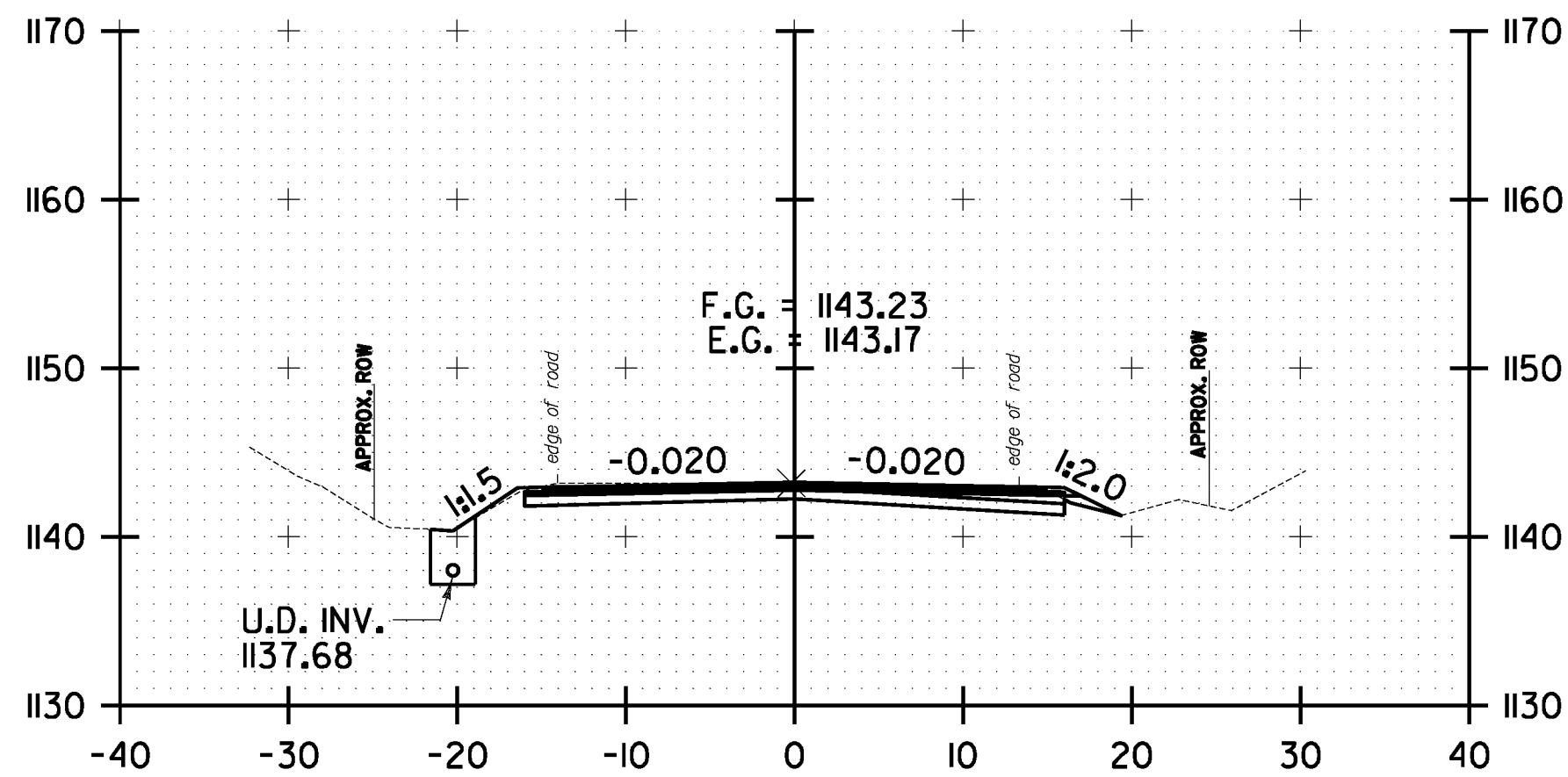
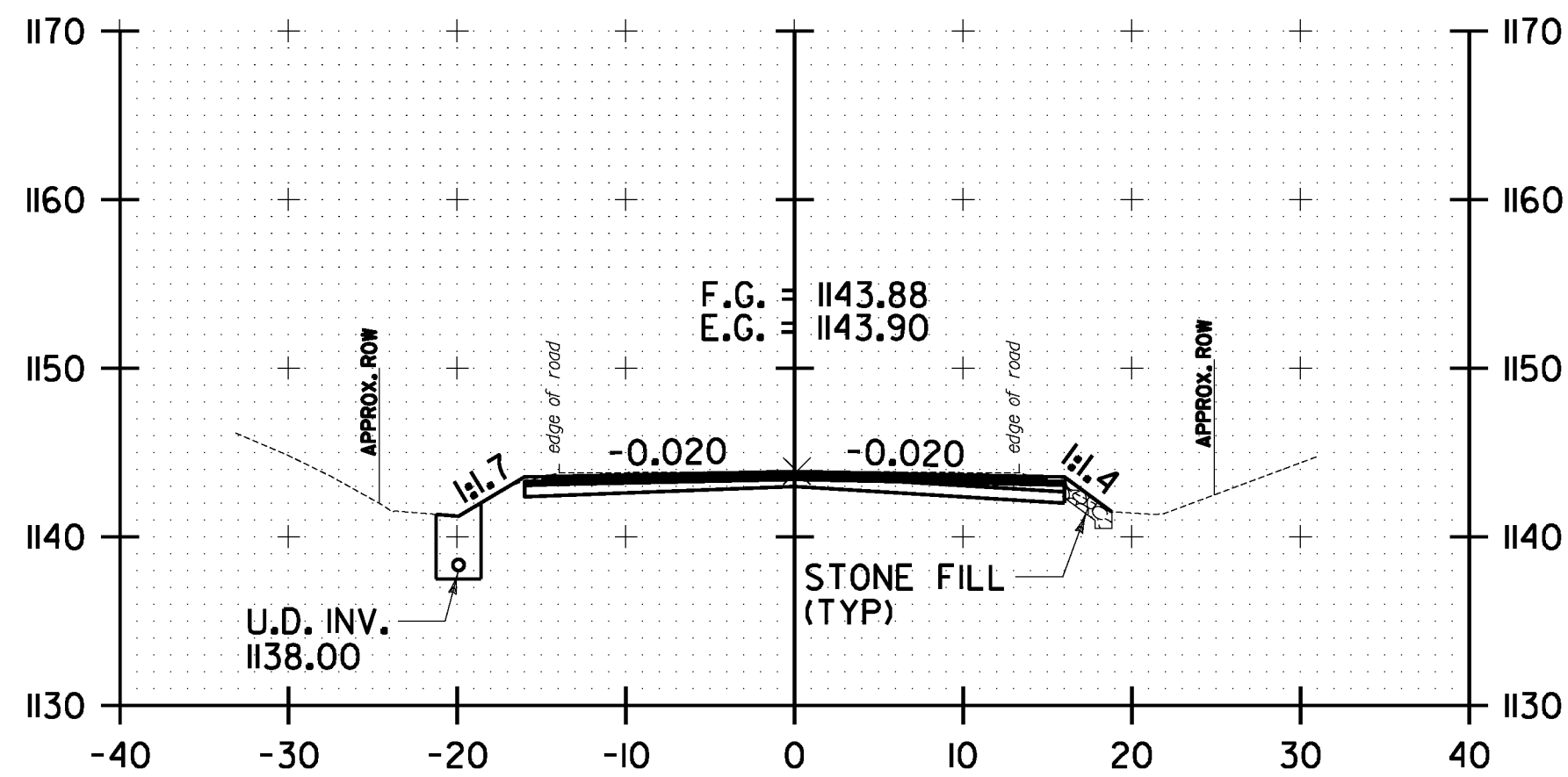


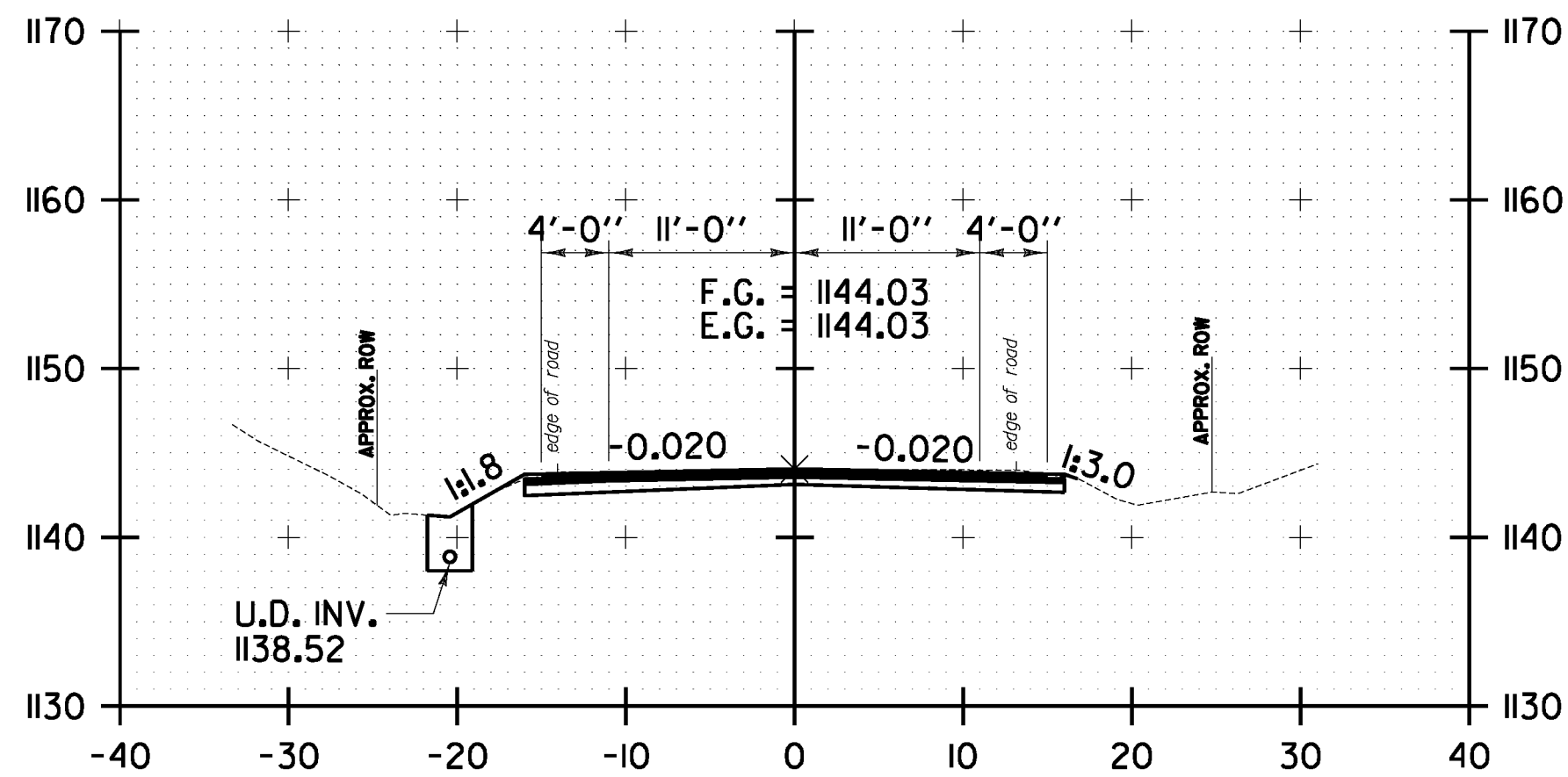
FILE NAME: U:\1762\CA00\MST\STP\_2506\p05b048\_Conv.eas\_Plan.dgn  
 DATE/TIME: 12/20/2012  
 USER: 4866



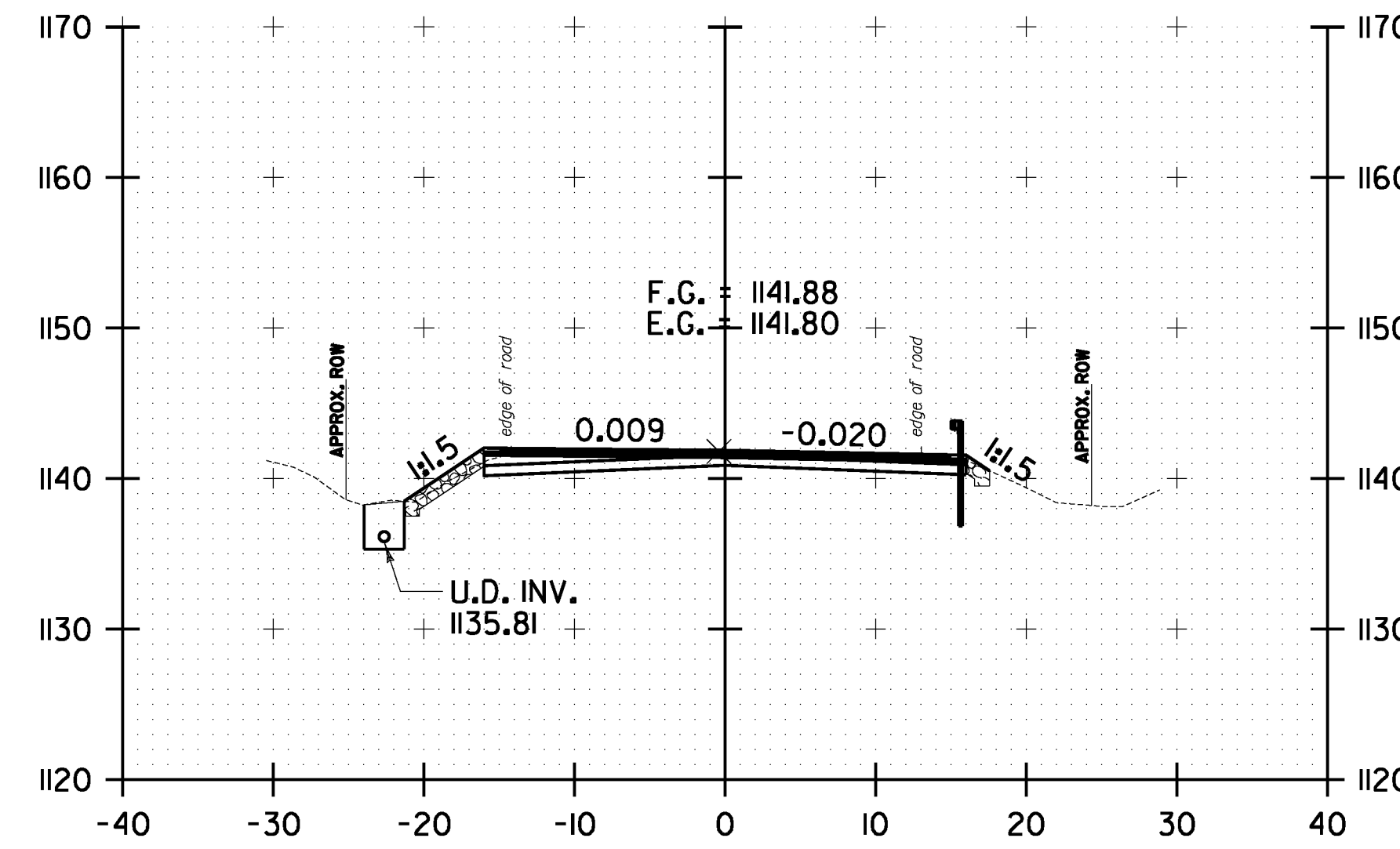
45+50.00



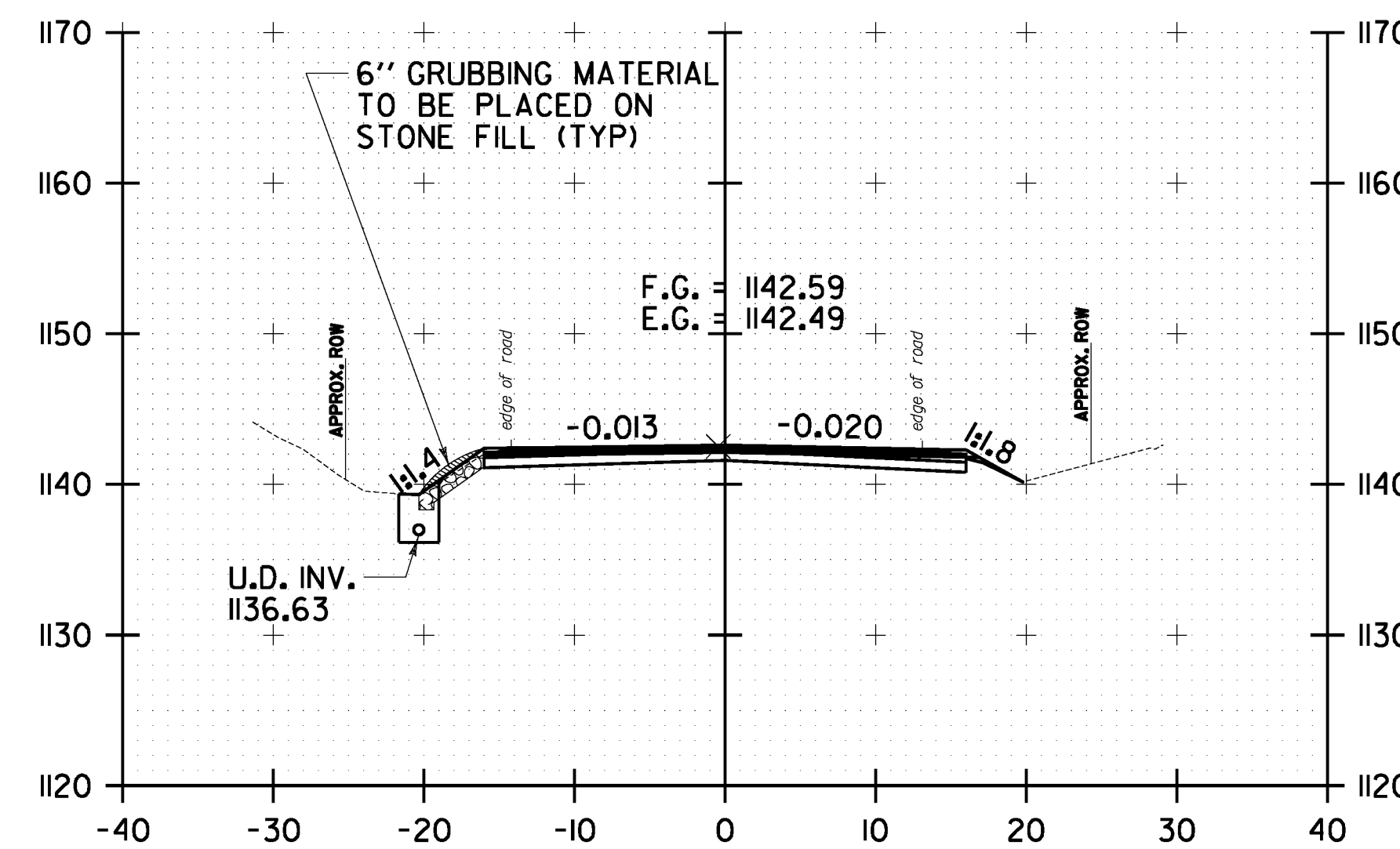
45+00.00



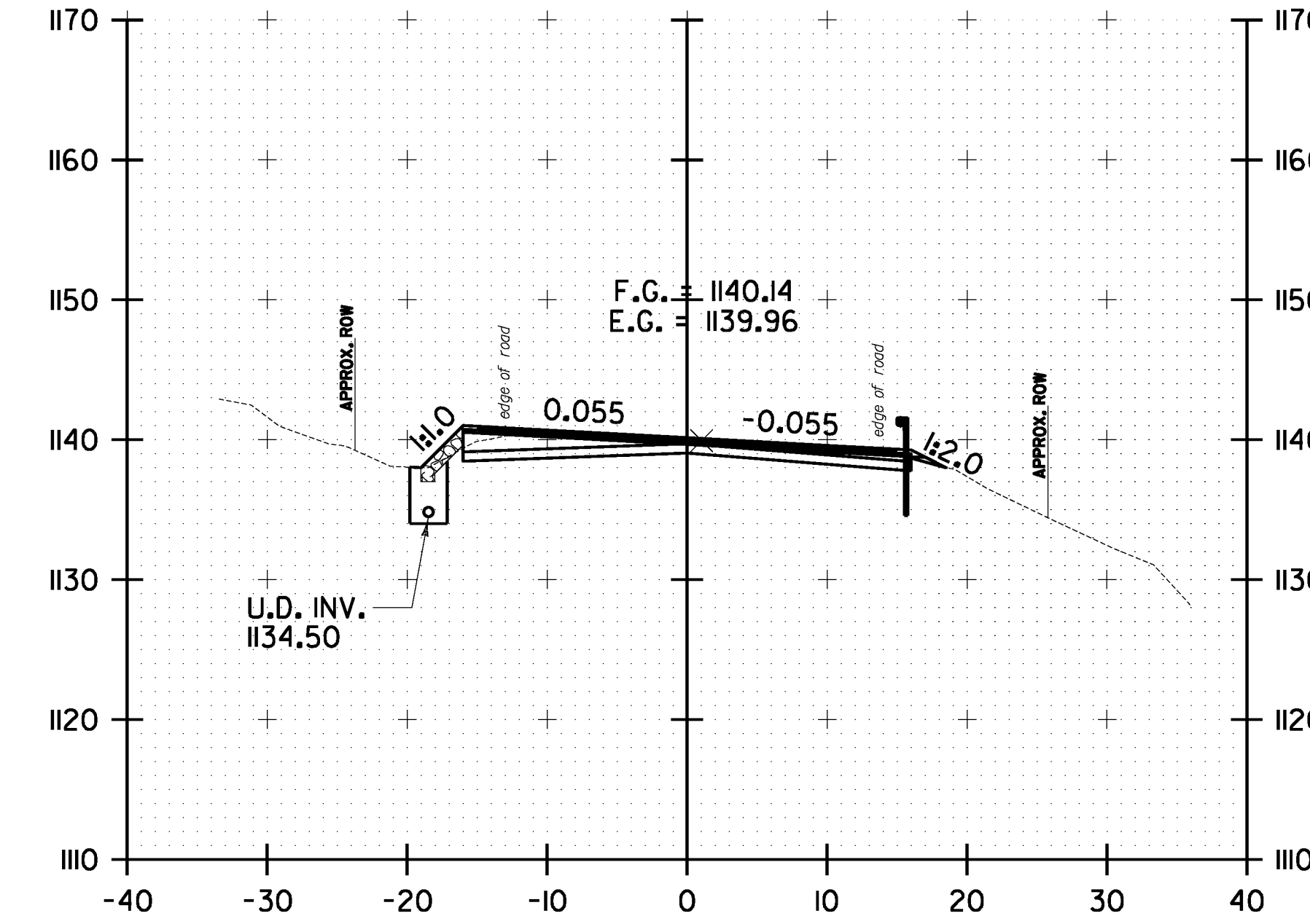
44+88.00



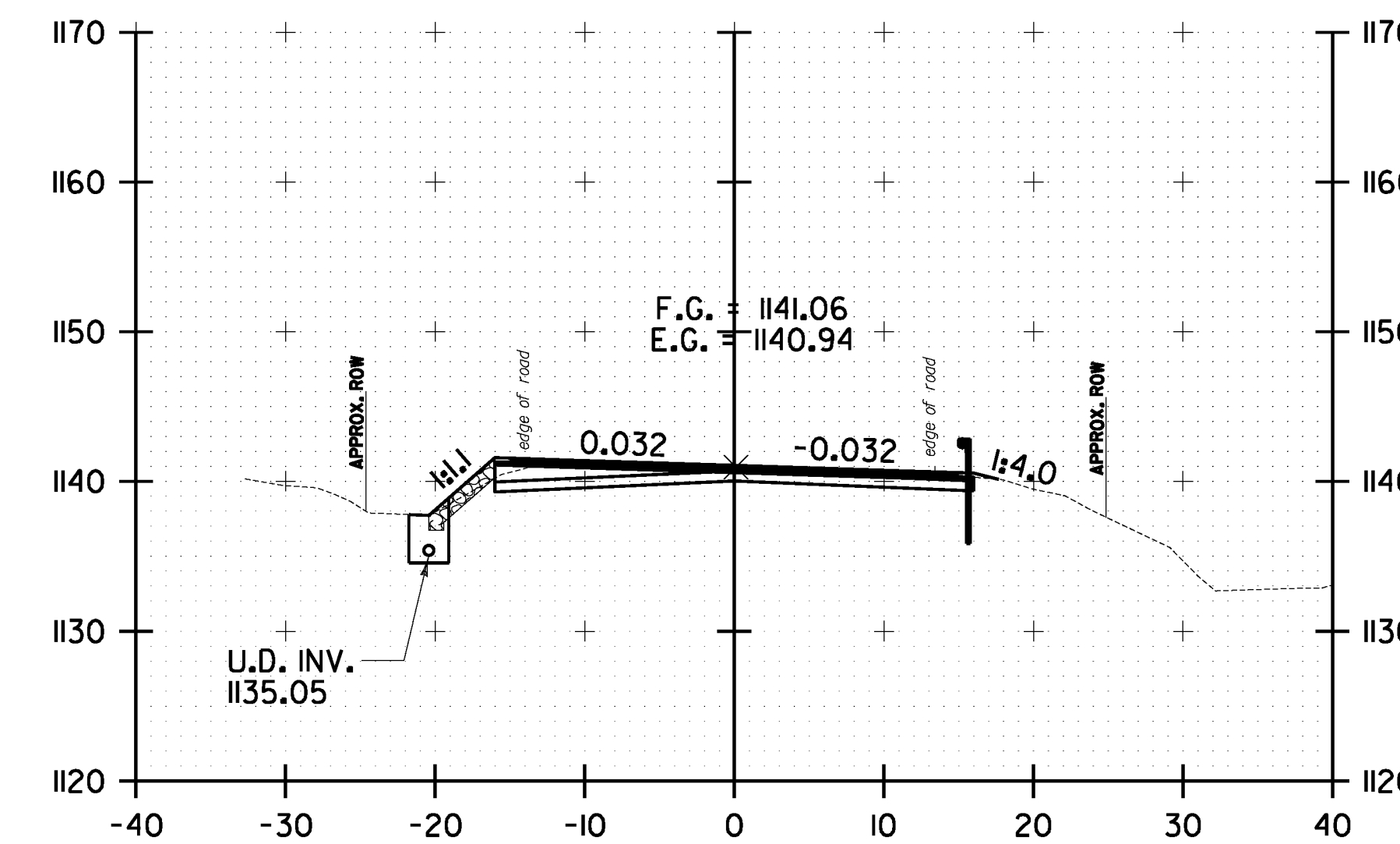
46+50.00



46+00.00



47+50.00



47+00.00



<b>WARREN CROSS SECTION SHEET #1</b>	PROJECT NAME: WARREN-WAITSFIELD	PLOT DATE: 12/20/2012
	PROJECT NUMBER: STP 2506(1)	
	FILE NAME: p05b048.dgn	CHECKED BY: D.E.G.
	PROJECT LEADER: D.E.G.	SHEET 164 OF 310
	DESIGNED BY: M.J.M.	
	IPARM FILE: p05b048xsl	