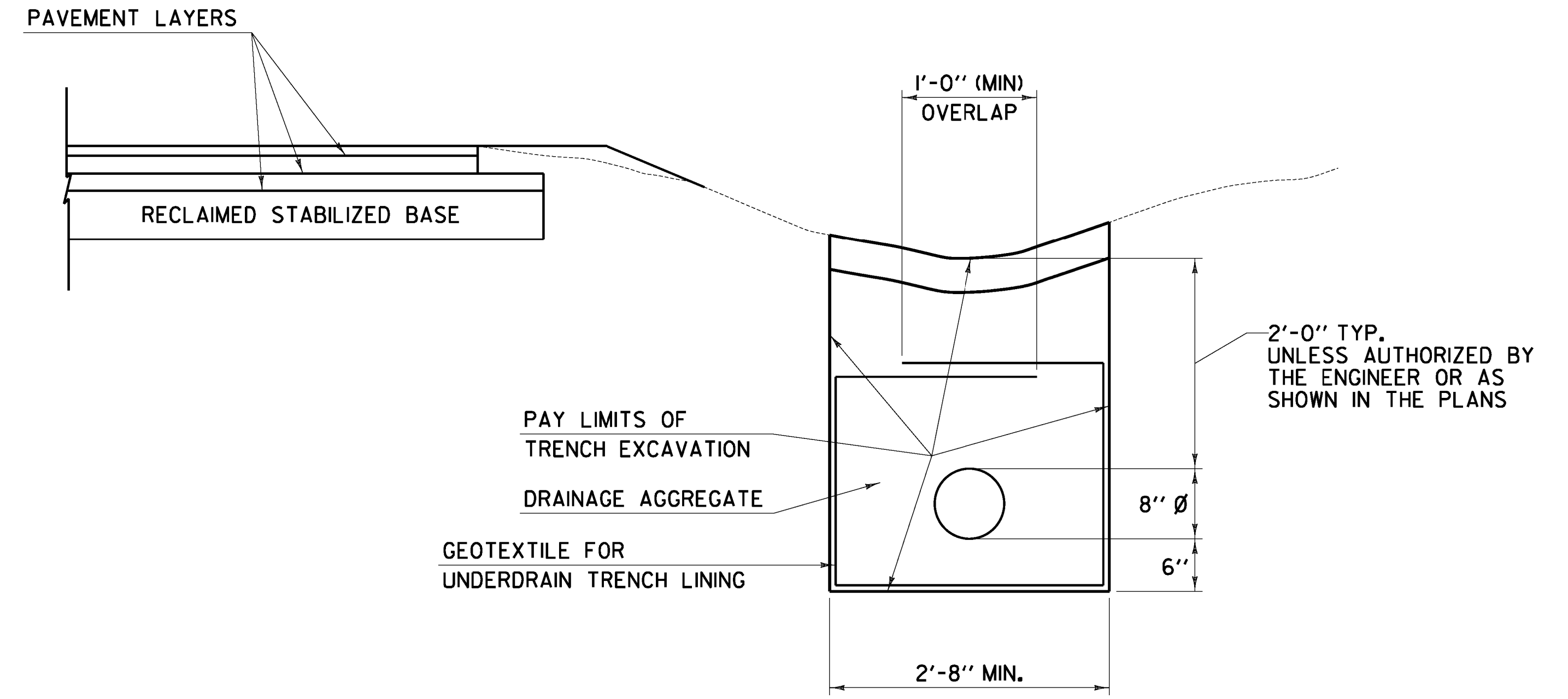


UNDERDRAIN TABLE								REMARKS
LOCATION				605.11	204.20	204.21	619.17	
SITE	STA	STA	POS	8 INCH UNDERDRAIN PIPE LF	TRENCH EXCAVATION OF EARTH CY	TRENCH EXCAVATION OF ROCK CY	YIELDING MARKER POSTS EA	
WARREN:								
	44+88	335+17	LT/RT				132	INLETS AND OUTLETS OF CULVERTS
1	44+88	49+50	LT	462	108.4	36.1	1	
2	53+50	58+89	LT	539	126.5	42.2	1	
3	61+50	67+74	LT	624	146.5	48.8	1	
4	81+50	84+00	LT	250	58.7	19.6	1	
5	84+90	87+50	RT	260	61.0	20.3	1	
6	85+00	87+50	LT	250	58.7	19.6	1	
7	98+00	105+66	RT	766	179.8	59.9	1	
8	107+00	109+01	RT	201	47.2	15.7	1	
9	112+47	127+92	RT	1545	362.6	120.9	1	
10	135+50	138+50	RT	300	70.4	23.5	1	
11	145+00	145+35	RT	35	8.2	2.7	1	
12	145+35	146+50	RT	115	27.0	9.0	1	
13	149+50	154+11	RT	461	108.2	36.1	1	
14	154+11	161+84	RT	773	181.4	60.5	1	
15	162+50	167+55	RT	505	118.5	39.5	1	
16	177+74	180+50	LT	276	64.8	21.6	1	
17	185+50	198+00	LT	1250	293.4	97.8	1	
18	200+21	209+05	LT	884	207.5	69.2	1	
19	209+50	212+71	LT	321	75.3	25.1	1	
20	216+50	218+43	RT	193	45.3	15.1	1	
21	224+00	229+00	LT	500	117.4	39.1	1	
22	224+50	226+50	RT	200	46.9	15.6	1	
23	239+00	244+25	LT	525	123.2	41.1	1	
24	254+00	255+10	LT	110	25.8	8.6	1	
25	264+50	271+66	LT	716	168.1	56.0	1	
26	302+50	305+00	LT	250	58.7	19.6	1	
27	319+50	322+00	LT	250	58.7	19.6	1	
28	331+50	333+48	RT	198	46.5	15.5	1	
WAITSFIELD:								
	0+00	125+66					57	INLETS AND OUTLETS OF CULVERTS
29	30+89	40+50	RT	961	225.6	75.2	1	
PROJECT SUBTOTAL				13720	3220.3	1073.5	218	
ROUNDING				80	72.7	15.5	7	
PROJECT TOTALS				13800	3293	1089	225	

REFER TO LAYOUT SHEETS 27-87 OF 310 FOR THE REVISED LOCATIONS



UNDERDRAIN DETAIL

UNDERDRAIN NOTES

1. GEOTEXTILE FOR UNDERDRAIN TRENCH LINING SHALL NOT BE PLACED AROUND UNDERDRAIN WHEN COVER ABOVE PIPE IS LESS THAN 1 FOOT.
2. DRAINAGE AGGREGATE SHALL MEET THE REQUIREMENTS OF SUBSECTION 704.16.
3. GEOTEXTILE FOR UNDERDRAIN TRENCH LINING AND DRAINAGE AGGREGATE ITEMS ARE INCLUDED IN THE UNIT PRICE BID FOR PAY ITEM 605.11 8 INCH UNDERDRAIN PIPE.

FILE NAME = I:\17762\CADD\MSTN\STP_2506\p05b048_Conv.ecct_Plan.dgn
DATE/TIME = 12/21/2012
USER = 4866

**UNDERDRAIN
DETAIL
SHEET**

PROJECT NAME: WARREN - WAITSFIELD

PROJECT NUMBER: STP 2506(1)

FILE NAME: p05b048.dgn
PROJECT LEADER: D.E.G.
DESIGNED BY: M.J.M.
IPARM FILE: p05b048udr1.i

PLOT DATE: 12/21/2012
DRAWN BY: W.G.P.
CHECKED BY: D.E.G.
SHEET 25 OF 310