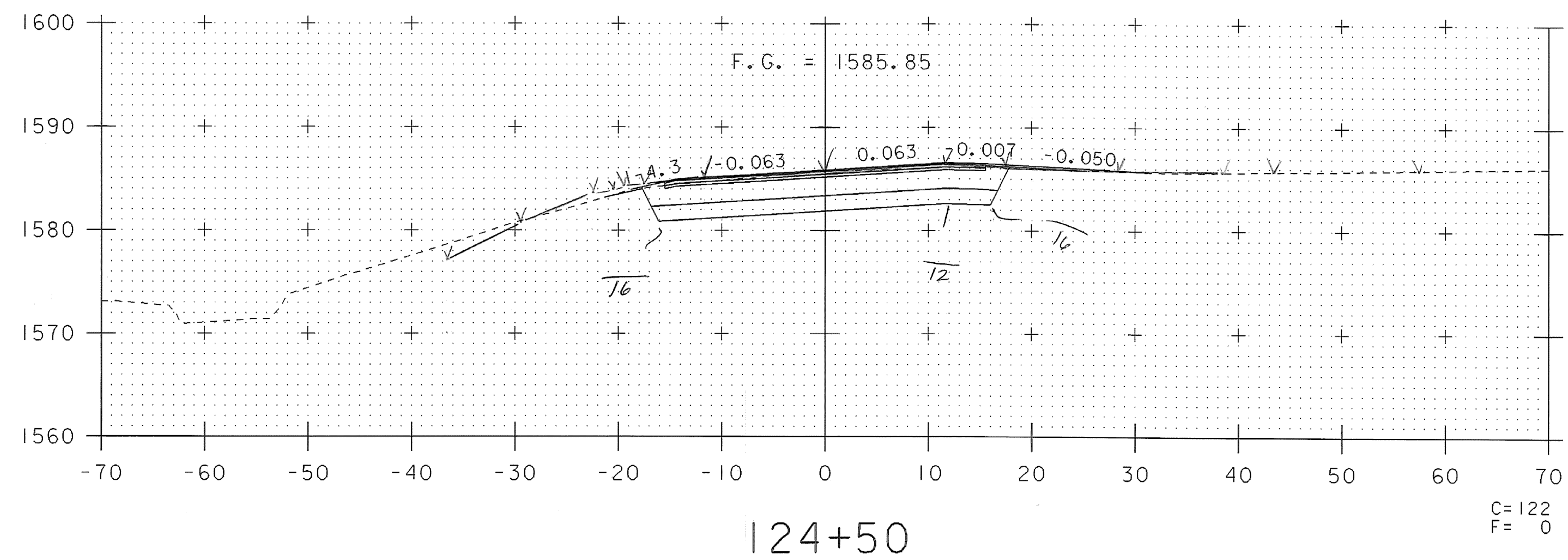


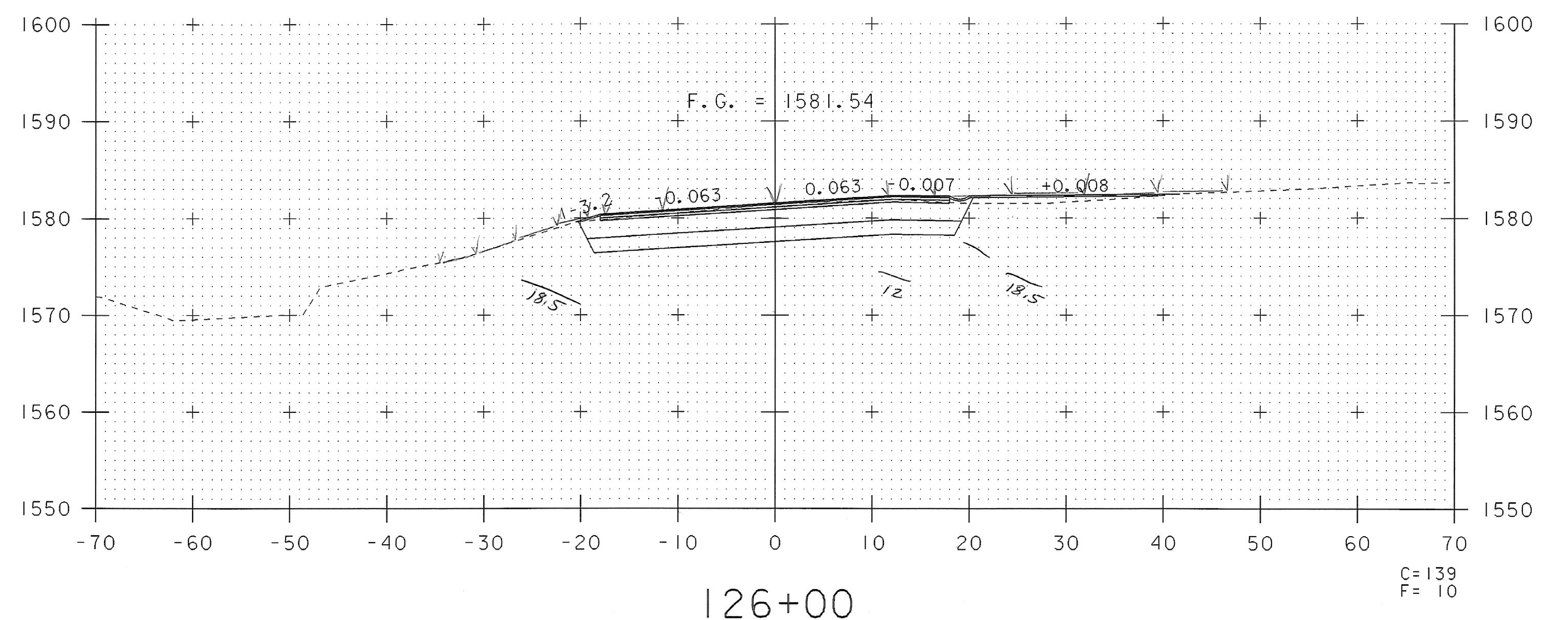
125+00

C=172  
F=7



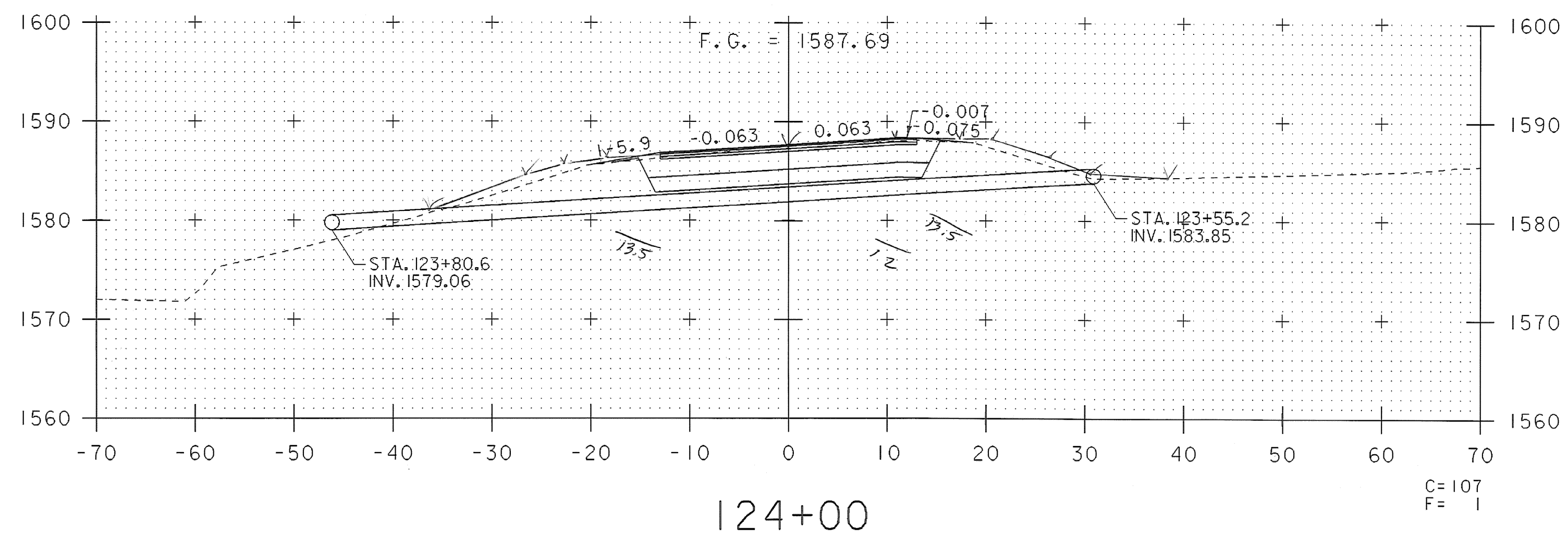
124+50

C=122  
F=0



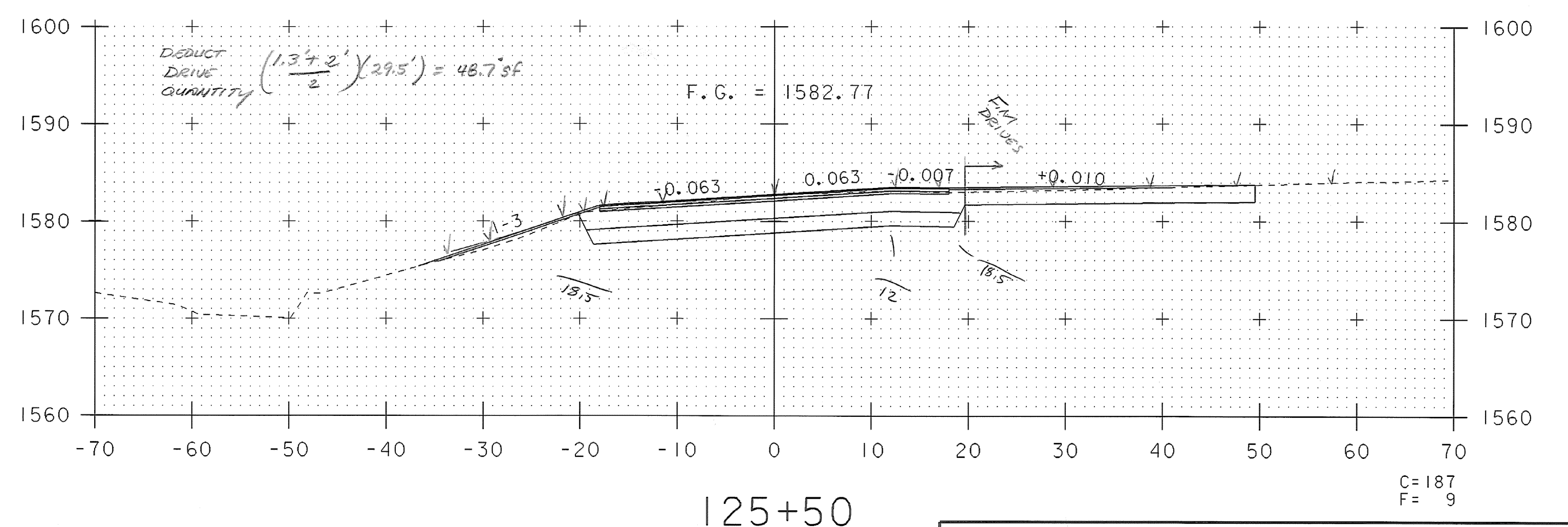
126+00

C=139  
F=10



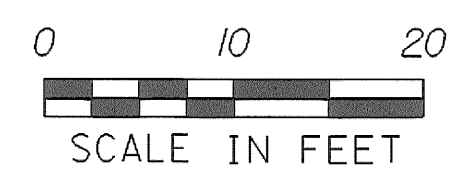
124+00  
BEGIN HES 010-1 (38)

C=107  
F=1



125+50

C=187  
F=9



*M.W.D. 3/5/09*  
*CAF 2/18/09*

**VT RTE. 100  
CROSS SECTION  
SHEET 1**  
STA. 124+00 TO STA. 126+00

PROJECT NAME: WILMINGTON	PLOT DATE: 28-APR-2008
PROJECT NUMBER: HES 010-1(38)	DRAWN BY: CAK
FILE NAME: 05c324.dgn	CHECKED BY: DWE
PROJECT LEADER: DEG	SHEET 118 OF 125
DESIGNED BY: DWE	
VT. ROUTE 100 CROSS SECTIONS XS-1	