

646.402 DURABLE 4 INCH WHITE LINE, THERMOPLASTIC
 (ALL LINES WILL INCLUDE EDGE LINE BREAKS AND
 RADIUS FOR TOWN HIGHWAYS)

VT. ROUTE 9:
 STA 218+00.00 - STA 221+00.00 EDGE LINE LT & RT

646.412 DURABLE 4 INCH YELLOW LINE, THERMOPLASTIC
 (ALL LINES WILL INCLUDE C/L BREAKS FOR TOWN HIGHWAY)
 S=SOLID, D=DASHED

VT. ROUTE 9:
 STA 218+00.00 - STA 221+00.00 LT C RT
 S = S

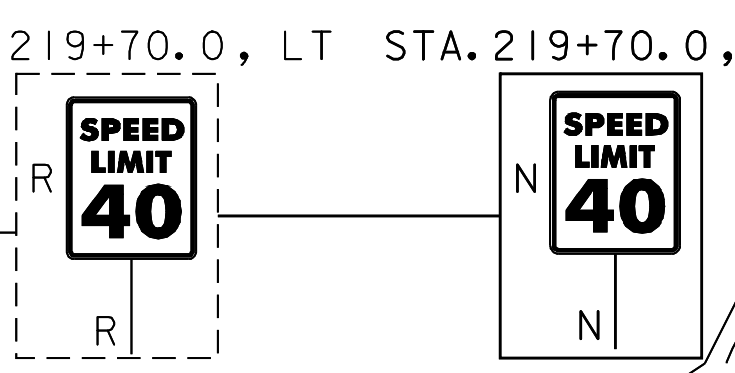
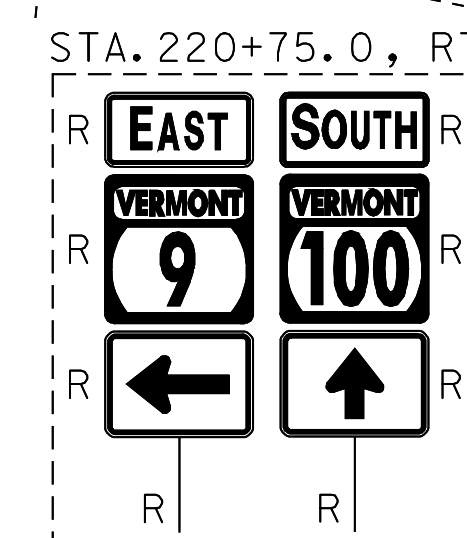
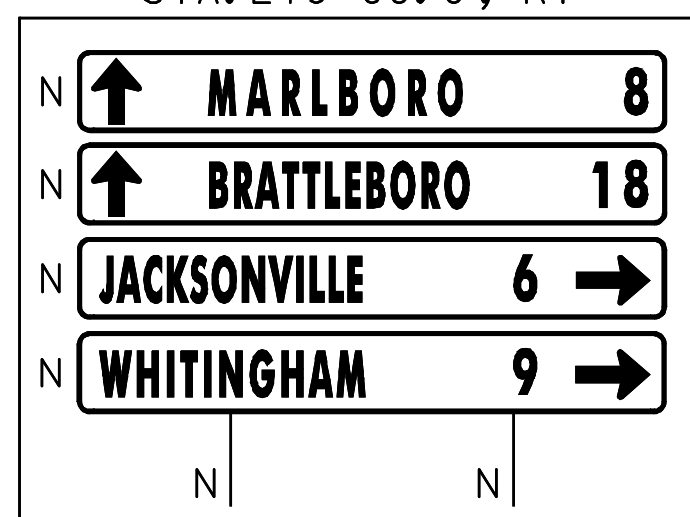
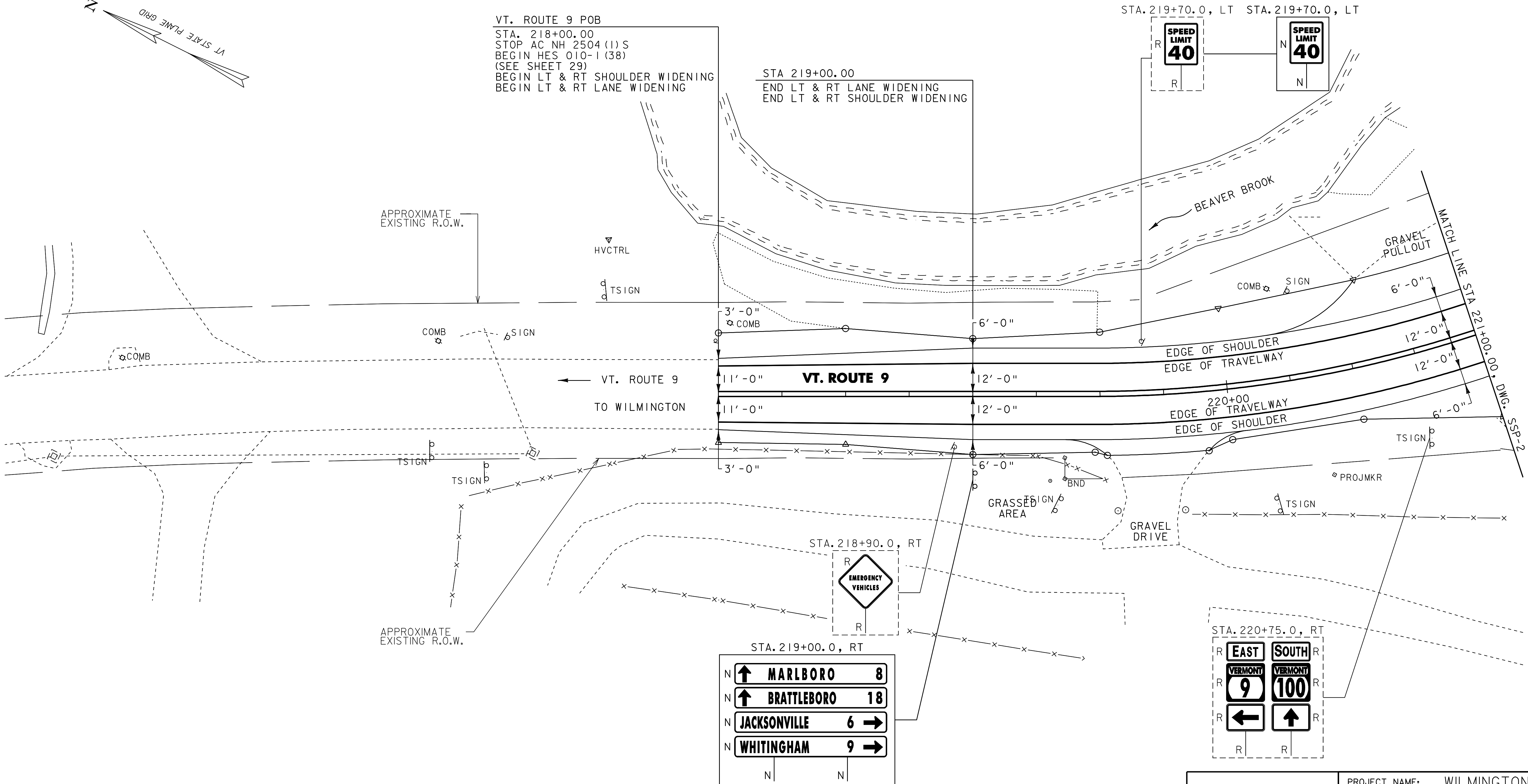
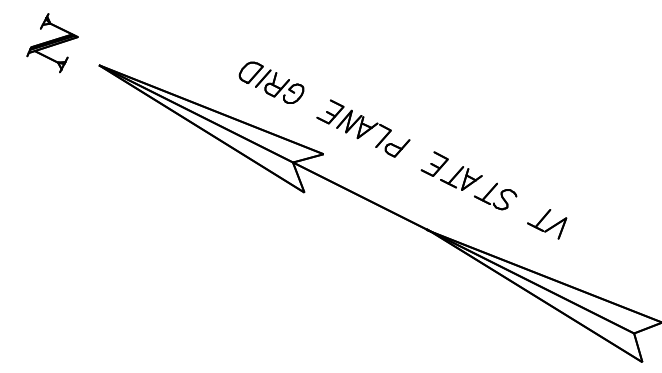
646.602 TEMPORARY 4 INCH WHITE LINE, PAINT
 (ALL LINES WILL INCLUDE EDGE LINE BREAKS AND
 RADIUS FOR TOWN HIGHWAYS)

VT. ROUTE 9:
 STA 218+00.00 - STA 221+00.00 EDGE LINE LT & RT

646.612 TEMPORARY 4 INCH YELLOW LINE, PAINT
 (ALL LINES WILL INCLUDE C/L BREAKS FOR TOWN HIGHWAY)
 S=SOLID, D=DASHED

VT. ROUTE 9:
 STA 218+00.00 - STA 221+00.00 LT C RT
 S = S

675.50 REMOVING SIGNS
 AS SHOWN - 8



SIGNING & STRIPING SHEET 1
 SCALE IN FEET

PROJECT NAME:	WILMINGTON	PLOT DATE:	2014-03-24
PROJECT NUMBER:	HES_010-1(38)	DRAWN BY:	CAK
FILE NAME:	05c324.stn lay.dgn	CHECKED BY:	DWE
PROJECT LEADER:	DEG	SHEET	III OF 125
DESIGNED BY:	DWE		