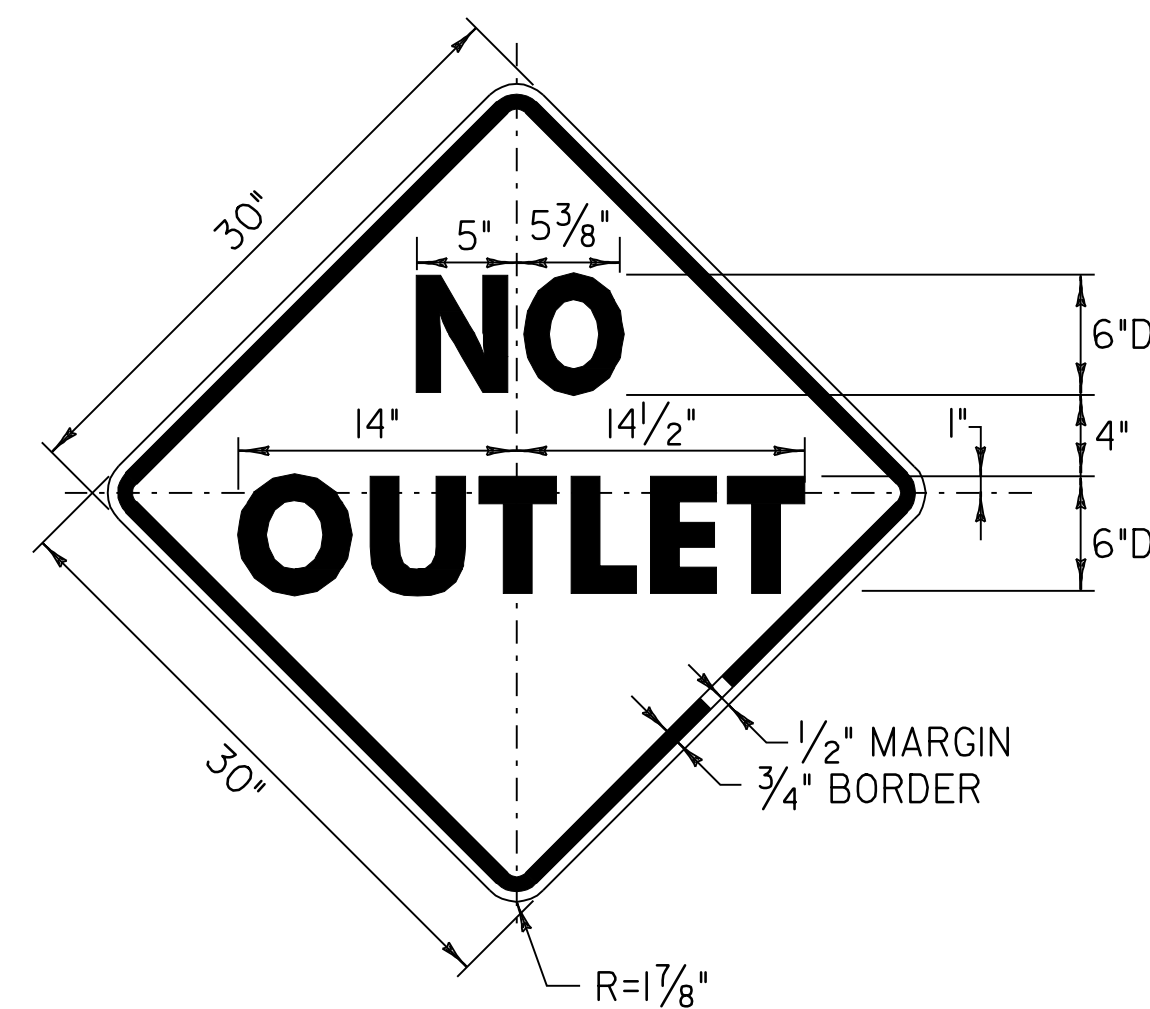
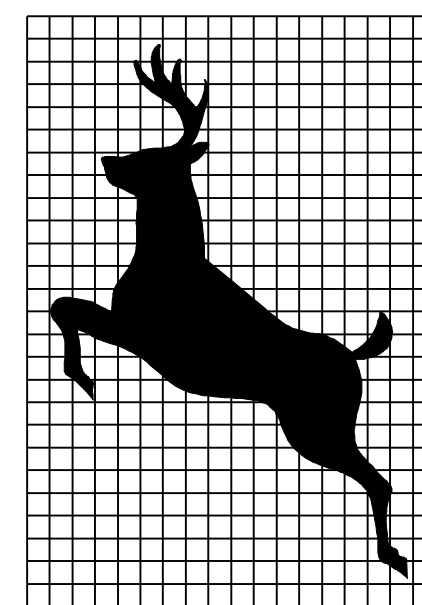


COLOR: BLACK BORDER & LEGEND (REFLECTORIZED)
YELLOW BACKGROUND (REFLECTORIZED)

MATERIAL: PER VAOT STANDARD E-153

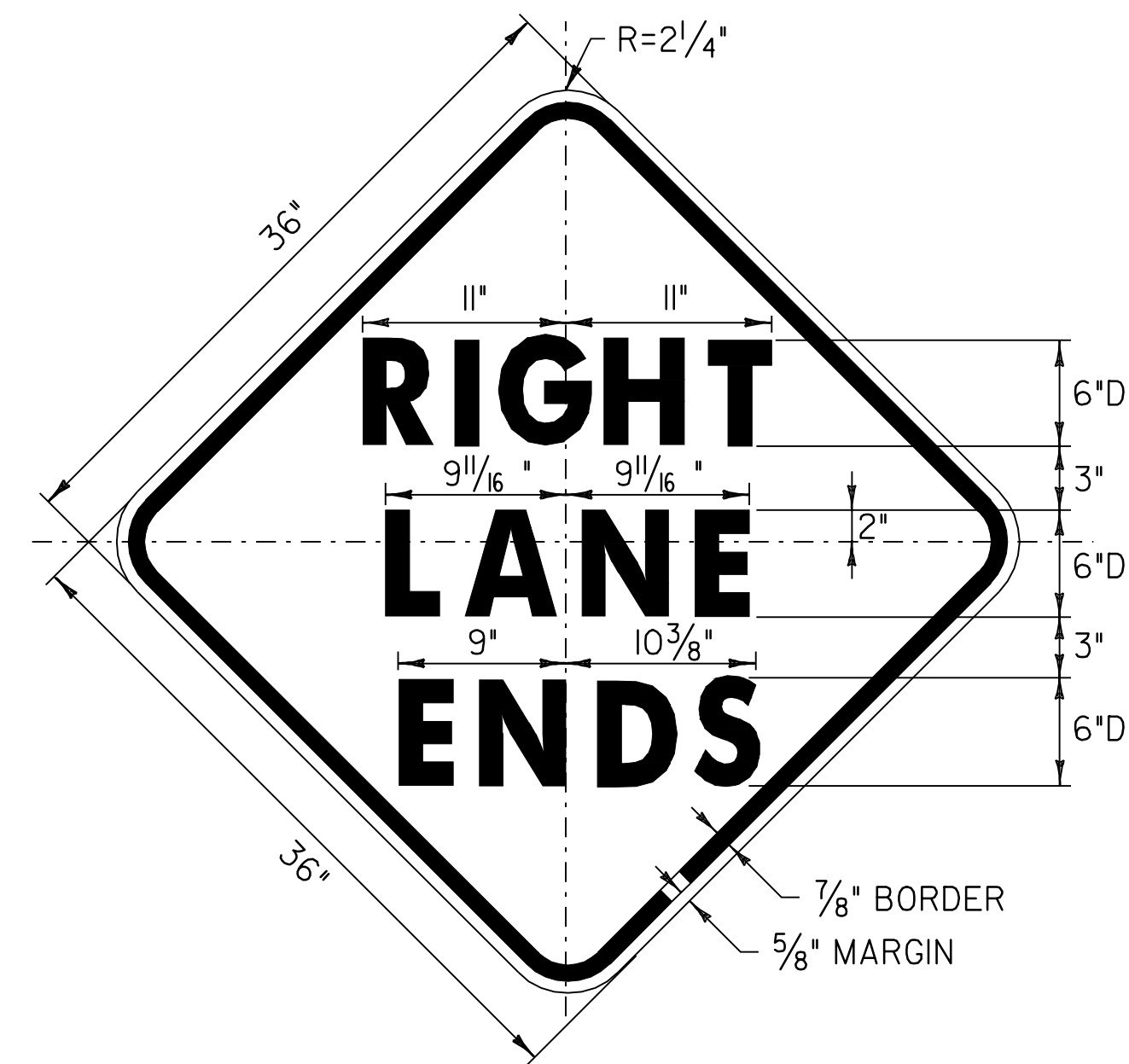
LOCATIONS: U.S. ROUTE 7
FERRISBURGH:
STA 222+55.0, RT
STA 252+67.0, LT



COLOR: BLACK BORDER & TEXT (REFLECTORIZED)
YELLOW BACKGROUND (REFLECTORIZED)

MATERIAL: PER VAOT STANDARD E-153

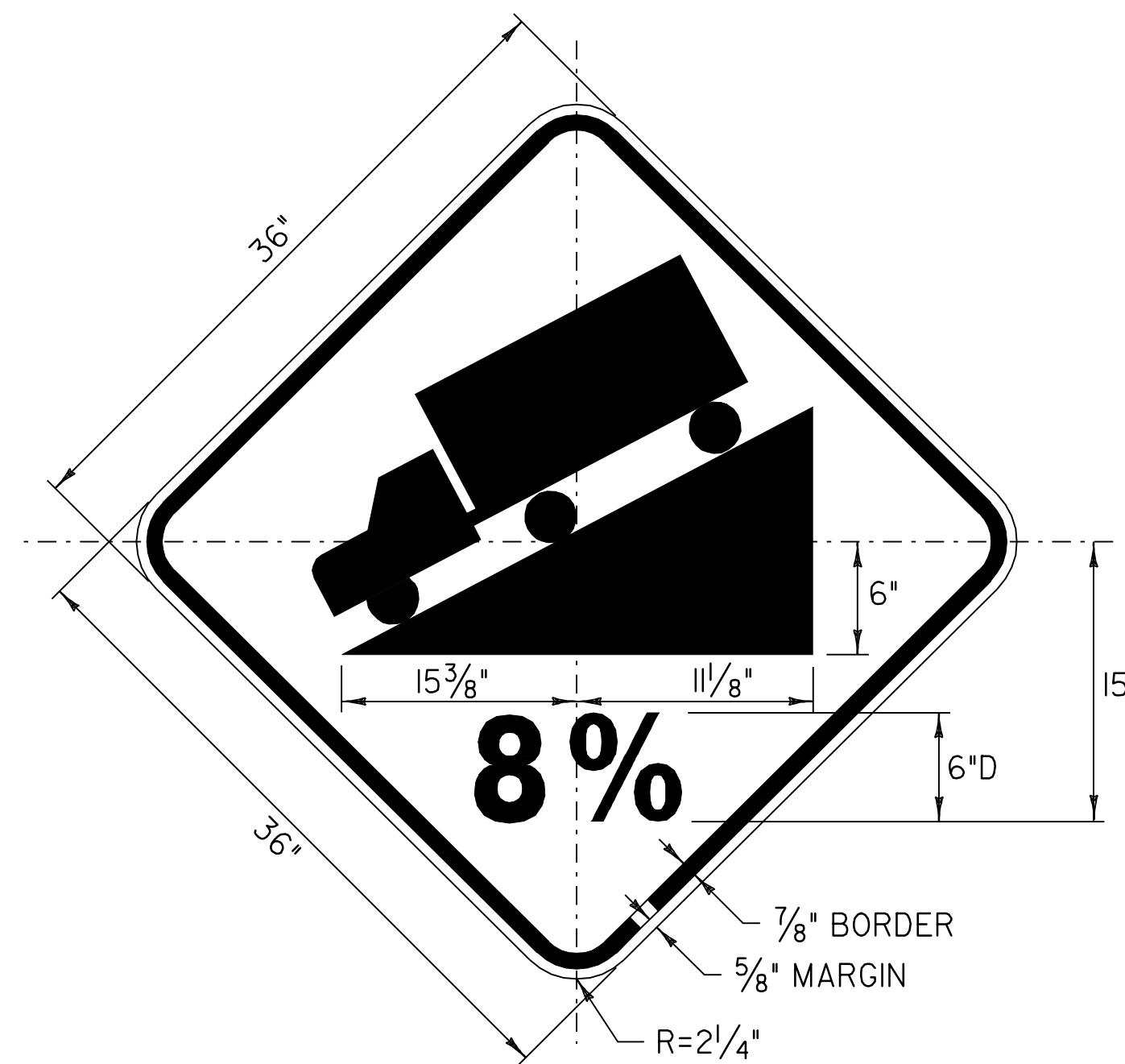
LOCATION: U.S. ROUTE 7
FERRISBURGH:
STA 239+60.0, RT
STA 332+95.0, LT



COLOR: BLACK BORDER & TEXT (REFLECTORIZED)
YELLOW BACKGROUND (REFLECTORIZED)

MATERIAL: PER VAOT STANDARD E-153

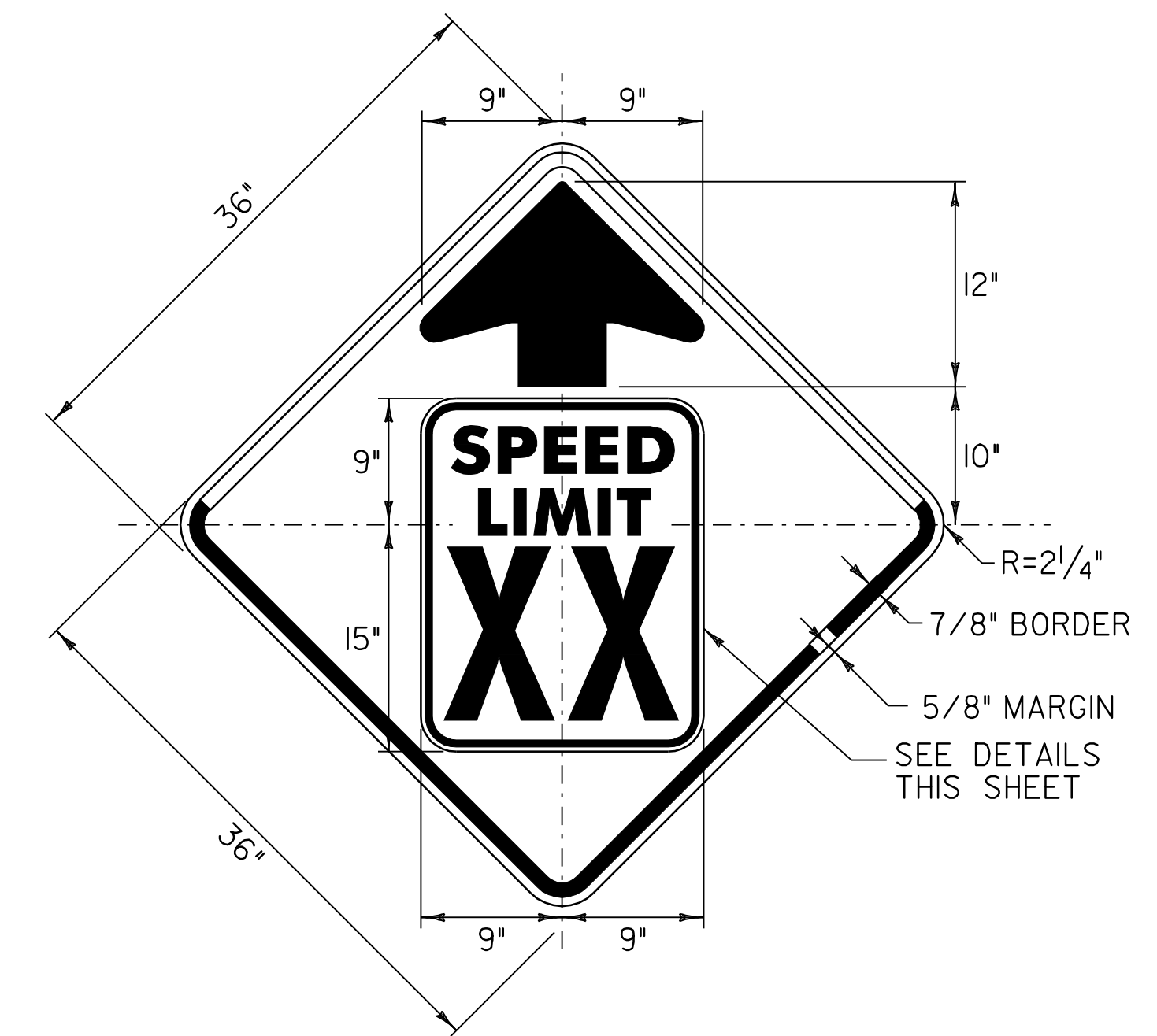
LOCATIONS: U.S. ROUTE 7
WALTHAM:
STA 70+85.0, LT



COLOR: BLACK BORDER & SYMBOL
YELLOW BACKGROUND (RETROREFLECTIVE)

MATERIAL: PER VAOT STANDARD E-152

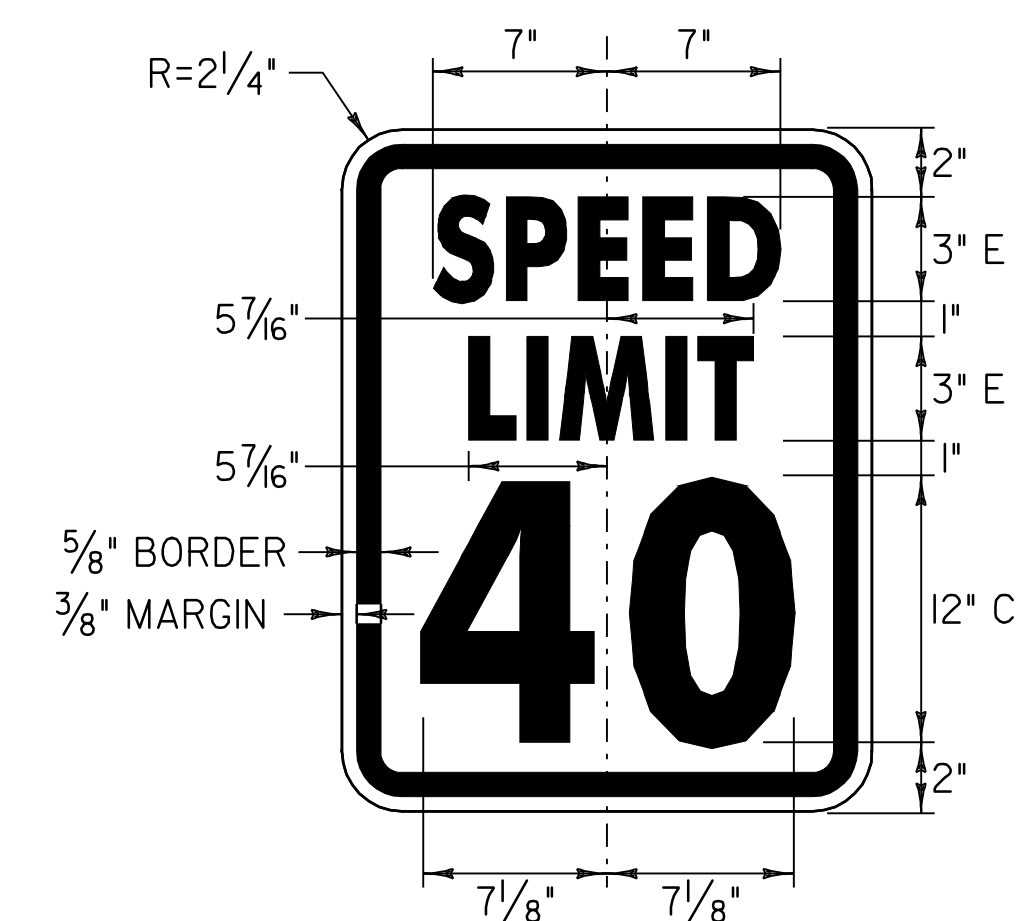
LOCATIONS: U.S. ROUTE 7
WALTHAM:
STA. 62+92.0, RT



COLOR: BLACK BORDER & TEXT (REFLECTORIZED)
YELLOW BACKGROUND (REFLECTORIZED)

MATERIAL: PER VAOT STANDARD E-153

LOCATIONS: U.S. ROUTE 7
FERRISBURGH:
STA 212+42.0, LT



COLOR: BLACK BORDER & TEXT (REFLECTORIZED)
WHITE BACKGROUND (REFLECTORIZED)

NOT TO SCALE

TRAFFIC
SIGN
DETAIL
SHEET #2

PROJECT NAME: NEW_HAVEN_-_FERRISBURGH
PROJECT NUMBER: NH_2503(I)S

FILE NAME: Q05bQ38.dgn_
PROJECT LEADER: D.E.G.
DESIGNED BY: M.J.M.
IPARM FILE: p05bQ38tsd2.i
PLOT DATE: 31-JUL-2009 15
DRAWN BY: C.A.K.
CHECKED BY: D.W.E.
SHEET 81 OF 87

NOTE:
TEXT LAYOUT DIMENSIONS ARE BASED ON THE STANDARD ALPHABETS SPACING CHARTS FOUND IN THE "STANDARD HIGHWAY SIGNS" BOOK PUBLISHED BY FHWA. MINOR VARIATIONS IN TEXT DIMENSIONS ARE ACCEPTABLE BASED ON INDIVIDUAL MANUFACTURER'S LETTER FABRICATION. SIGNIFICANT CHANGES THAT AFFECT SIGN APPEARANCE SHALL BE BROUGHT TO THE ATTENTION OF THE VAOT'S TRAFFIC OPERATIONS SECTION BEFORE FABRICATION.