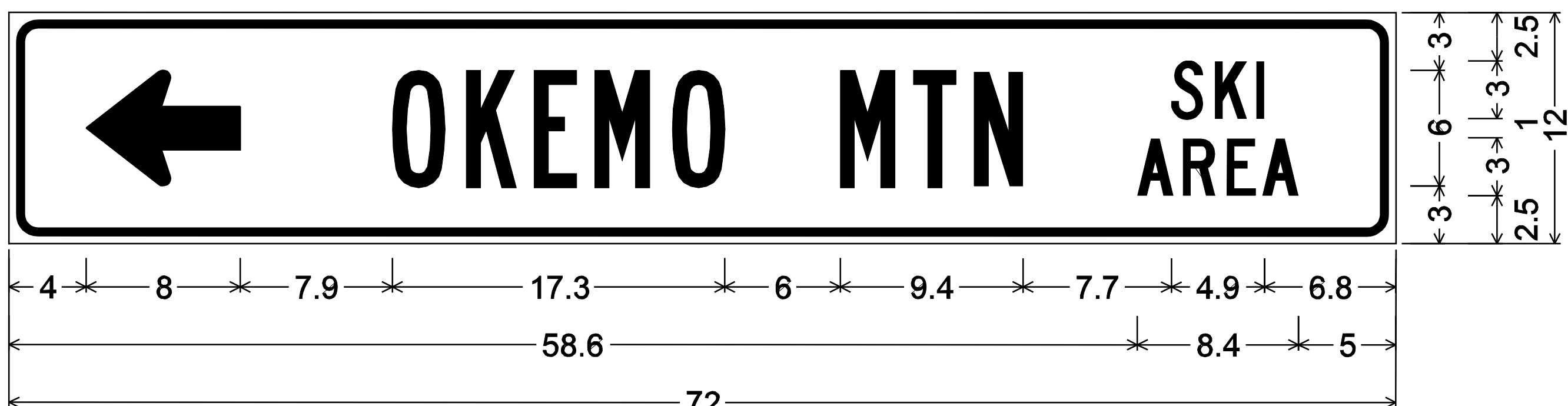




1.5" Radius, 0.4" Border, 0.4" Indent, White on Green;
 Arrow Custom - 8.0" 90°; [OKEMO MTN] B; [SKI] C; [AREA] C; [1] C;



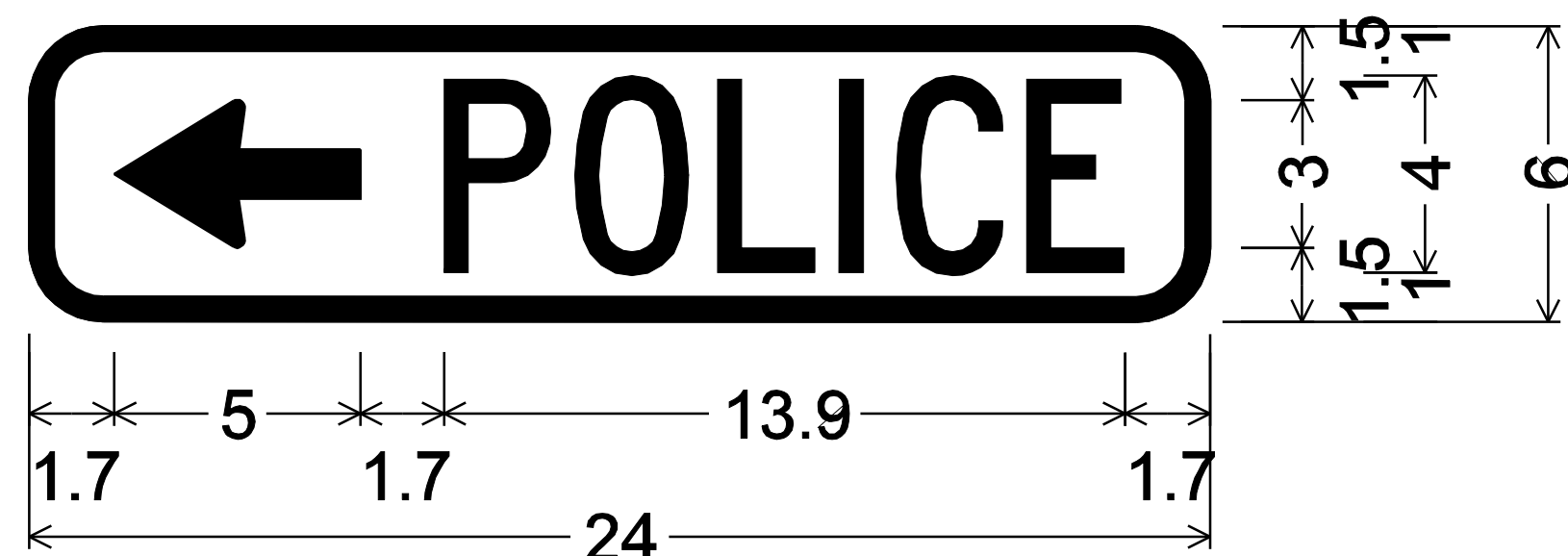
1.5" Radius, 0.4" Border, 0.4" Indent, White on Green;
 Arrow Custom - 8.0" 180°; [OKEMO MTN] B; [SKI] C; [AREA] C; [1] C;



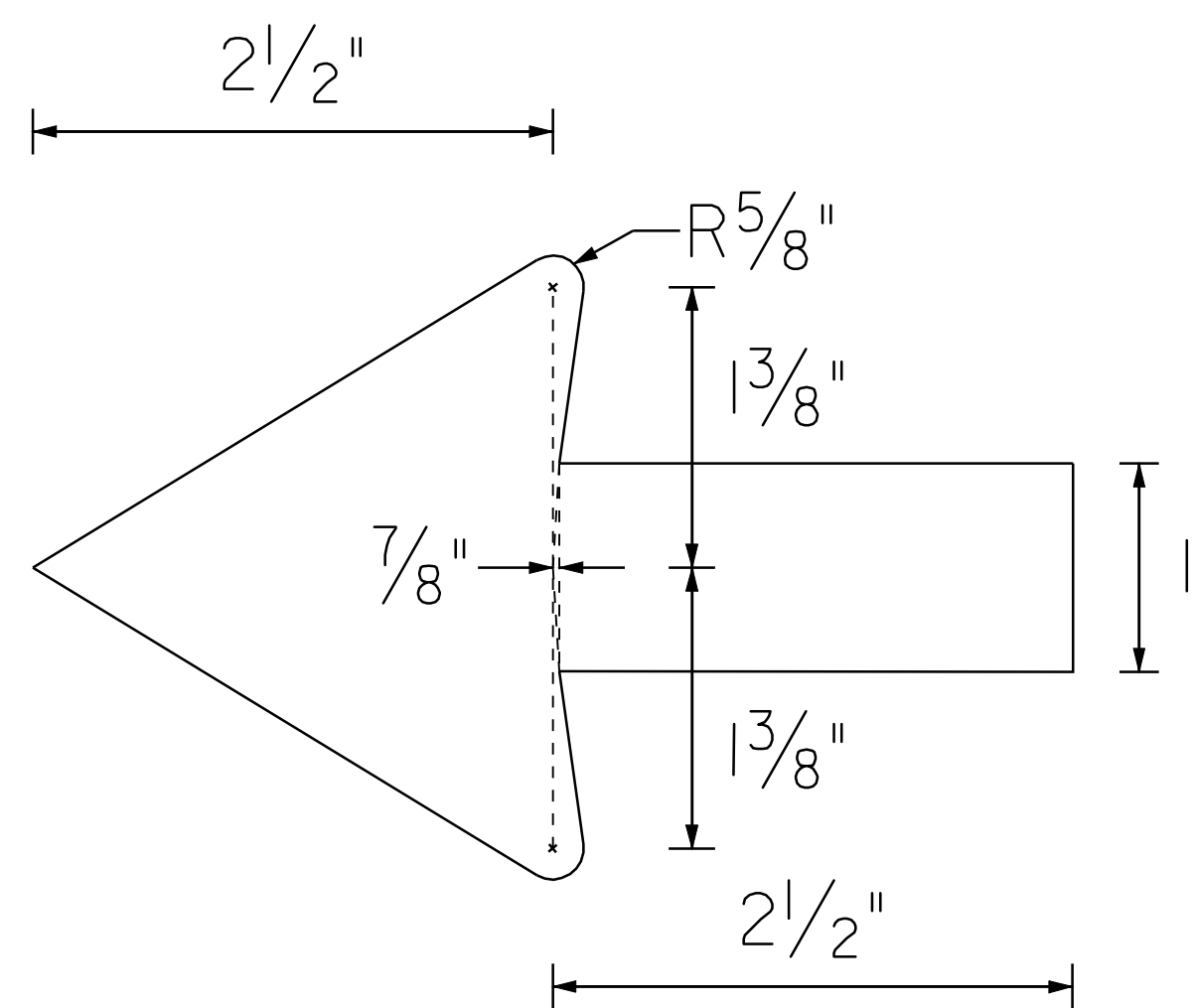
1.5" Radius, 0.4" Border, 0.4" Indent, White on Green;
 Arrow Custom - 8.0" 180°; [OKEMO MTN] B; [SKI] C; [AREA] C;



1.5" Radius, 0.4" Border, 0.4" Indent, White on Green;
 [OKEMO MTN] B; [SKI] C; [AREA] C; Arrow Custom - 8.0" 0°;



1.5" Radius, 0.5" Border, White on Blue;
 Standard Arrow Custom 5.0" X 3.0" 180°;
 [POLICE] C 70% spacing;



SIGN DETAIL SHEET	PROJECT: <u> _LUDLOW </u>	PROJECT NO.: <u> NH 2409(1)S </u>
	DESIGN FILE NAME: /pave/05B008/pb008.dgn	PLOT DATE: 20-MAY-2010 14:
	IPARM FILE NAME: pb008sd.i	SURVEY DATE: 12204_____
	SURVEYED BY: CLD_____	DRAWN BY: MRS_____
	SQUAD LEADER: PIS_____	
	CLD_05-0389_____	SHEET: 50 OF 51