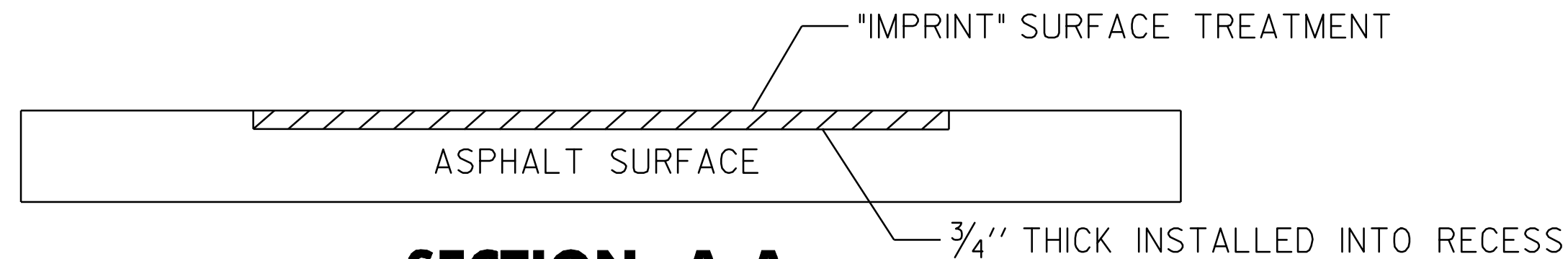


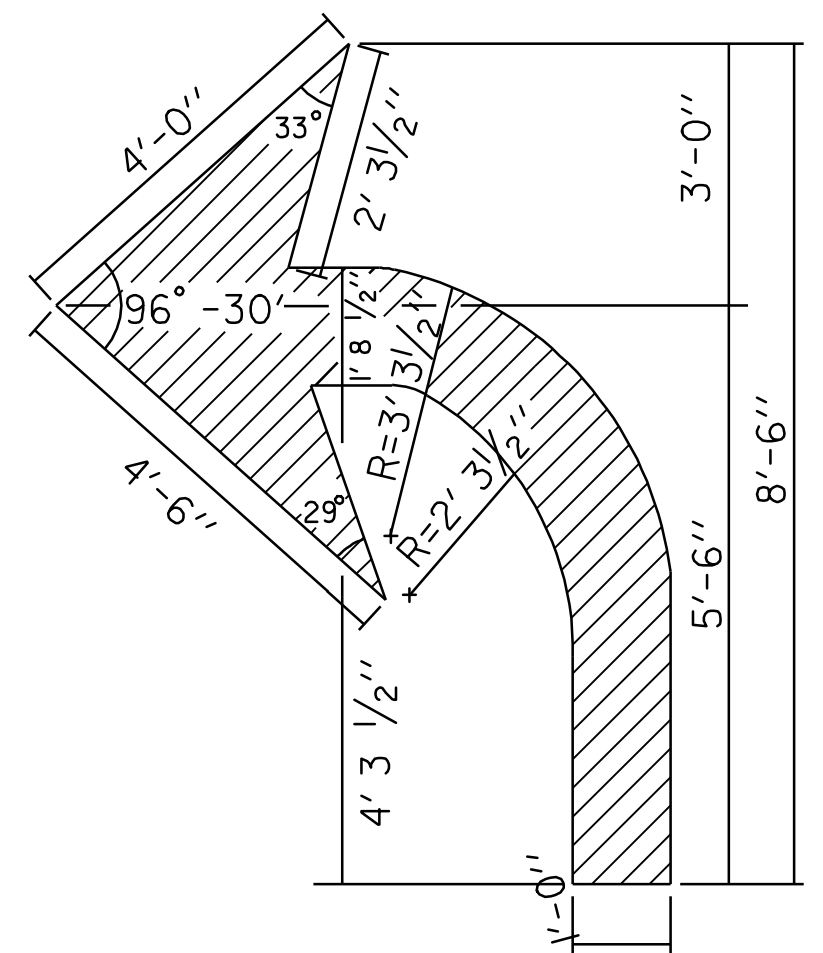
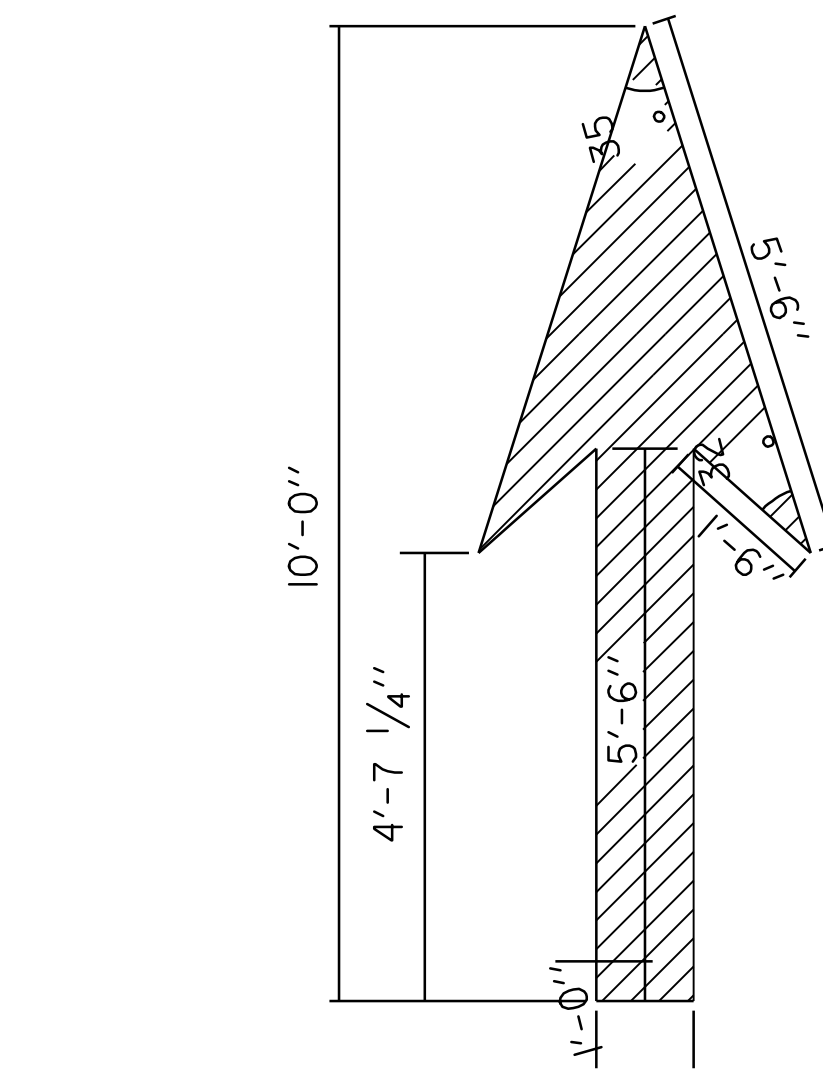
**DURABLE CROSSWALK MARKING,  
IMPRINTED/COLORIZED**



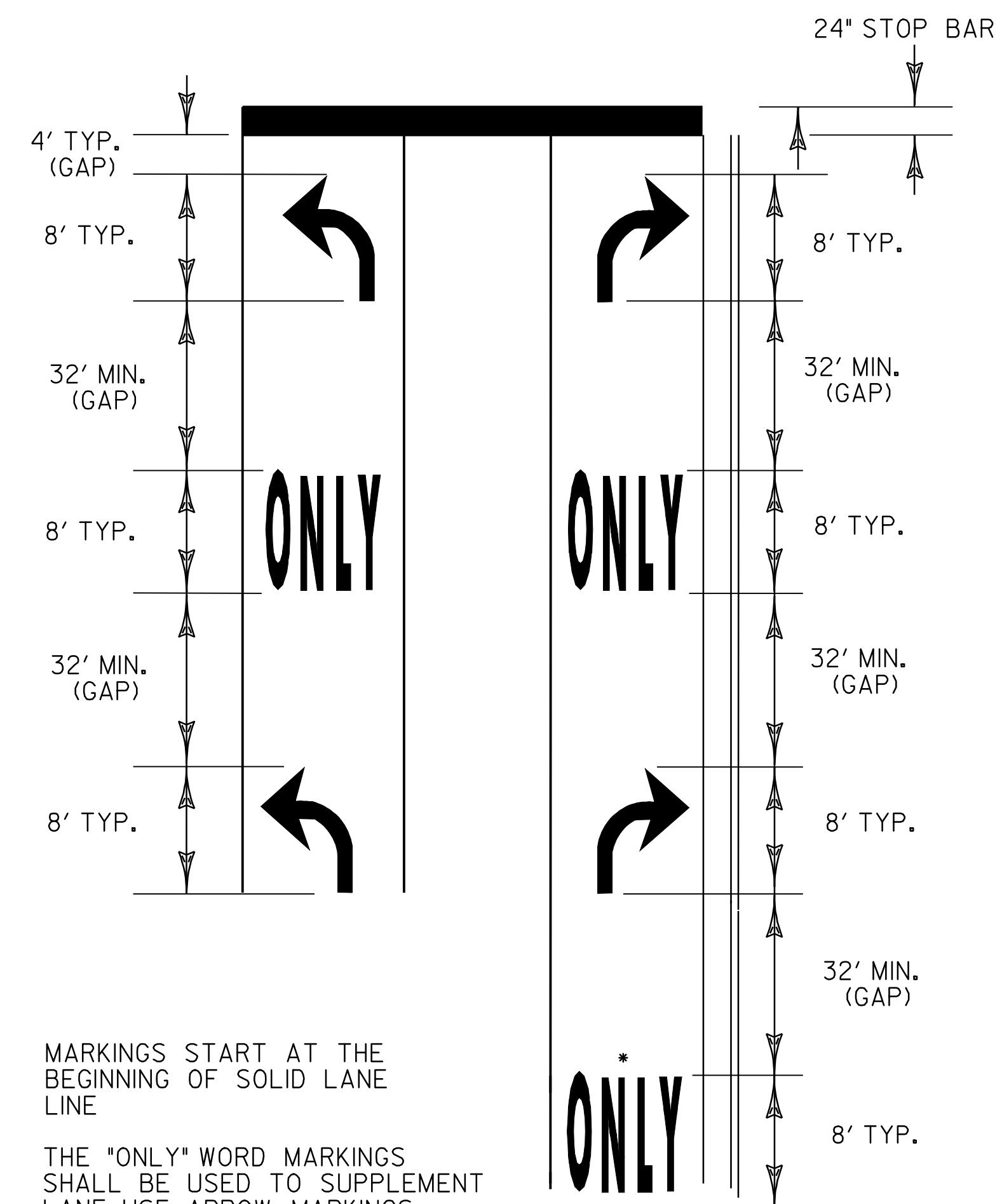
**SECTION A-A**  
NOT TO SCALE

NOTES:

- SAWCUT PAVEMENT AT EDGES AND REMOVE PAVEMENT INSIDE THE CROSSWALK TO SPECIFIED DEPTHS.
- SURFACING SHALL BE A HOT APPLIED MODIFIED SYNTHETIC ASPHALT COMPOUND, 'IMPRINT' TECHNOLOGY, OR EQUAL.
- MATERIAL GRADE OF THE SURFACING TREATMENT SHALL MEET THE REQUIREMENTS FOR HEAVILY TRAFFICKED ROADS AND NORTHERN U. S. TEMPERATURES.
- INSTALL PER MANUFACTURERS INSTRUCTIONS.
- CROSSWALKS:  
-SURFACING SHALL BE A THROUGH OXIDE RED COLOR MATERIAL NOT SURFACE PAINTED.  
-SURFACE SHALL BE STAMPED WITH A STANDARD BRICK PATTERN.
- THE COLOR OF THE DETECTABLE WARNING SURFACE SHALL BE COLOR CHIP FS36496 PER FEDERAL STANDARD 595B.



**ARROW DETAILS**



MARKINGS START AT THE BEGINNING OF SOLID LANE LINE

THE "ONLY" WORD MARKINGS SHALL BE USED TO SUPPLEMENT LANE-USE ARROW MARKINGS

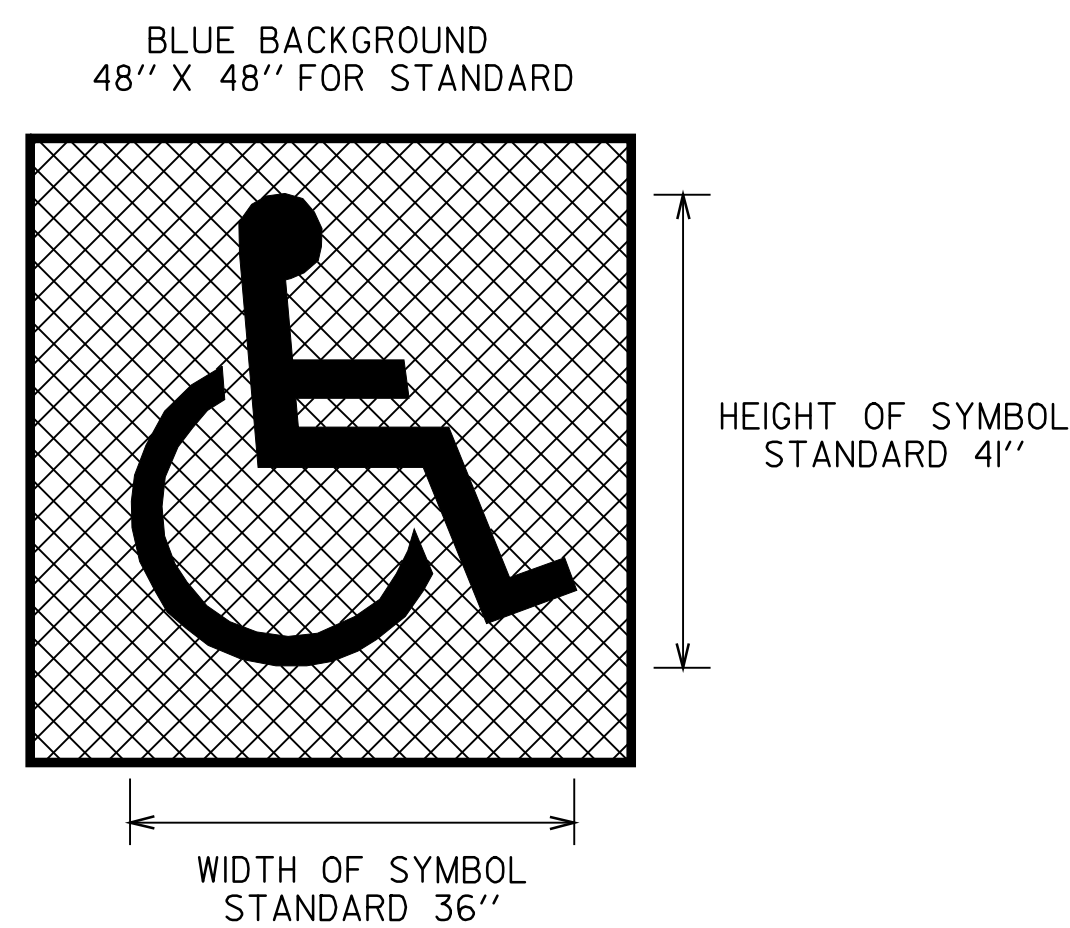
IF LANE LENGTH IS LESS THAN 50 FEET ONLY ONE TURN ARROW, PLACED AT THE BEGINNING OF THE SOLID LANE LINE, IS REQUIRED.

\* A SECOND "ONLY" IS OPTIONAL WHEN SPACE PERMITS. MARKINGS START AT THE BEGINNING OF THE SOLID LANE LINE.

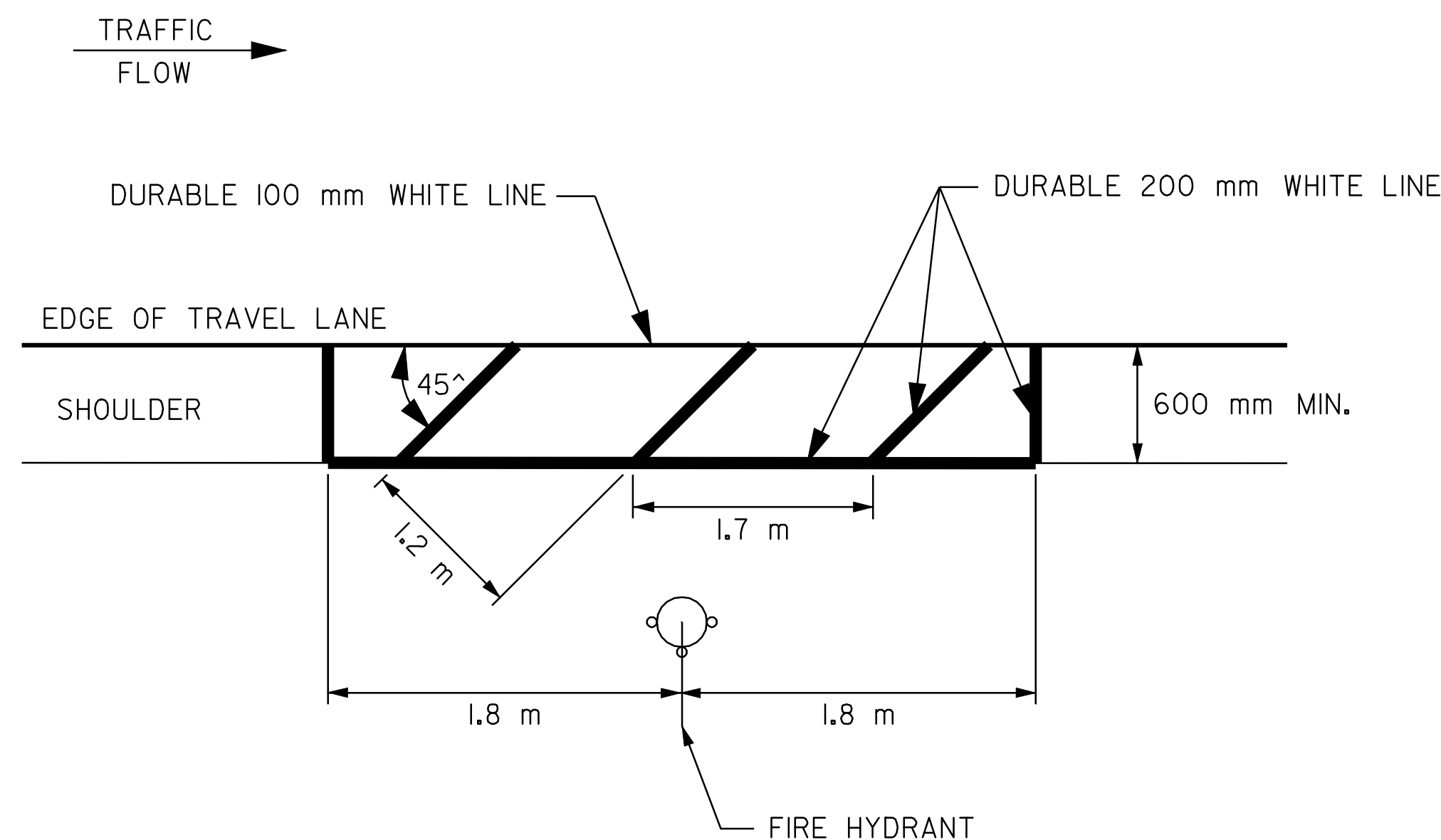
THE LONGITUDINAL SPACE BETWEEN WORD OR SYMBOL MESSAGE MARKINGS, SHOULD BE AT LEAST FOUR TIMES THE HEIGHT OF THE CHARACTERS FOR LOW SPEED ROADS, BUT NOT MORE THAN TEN TIMES THE HEIGHT OF THE CHARACTERS UNDER ANY CONDITIONS.

EXCLUSIVE TURN LANES (LEFT OR RIGHT) LANE LINES SHALL BE SOLID AND EXTEND BACK FROM THE STOP LINE TO THE POINT OF FULL LANE WIDTH OF THE TURN LANE.

**TYPICAL MARKINGS FOR TURN LANES**



HANDICAP PARKING SYMBOL  
PAID UNDER ITEM 646.491,  
DURABLE LETTER OR SYMBOL  
@ 2 EACH PER LOCATION.



**FIRE HYDRANT PAVEMENT MARKING DETAIL**  
N.T.S.

**TYPICAL  
PAVEMENT  
MARKINGS  
SHEET**

SURVEYED BY	CLD	DATE	11/05
DRAWN BY	MRS	DATE	5/06
SQUAD LEADER	PTS		
DESIGN FILE NO.	/pave /05B008/pb008.dgn		
IPARM FILE	pb008tpm.i	DATE PLOTTED	MAY-2010 14
PROJ. NAME	LUDLOW		
PROJ. NO.	NH 2409(1)S		
SHEET	6	OF	51 SHEETS

DATUM	
VERTICAL	N/A
HORIZONTAL	N/A