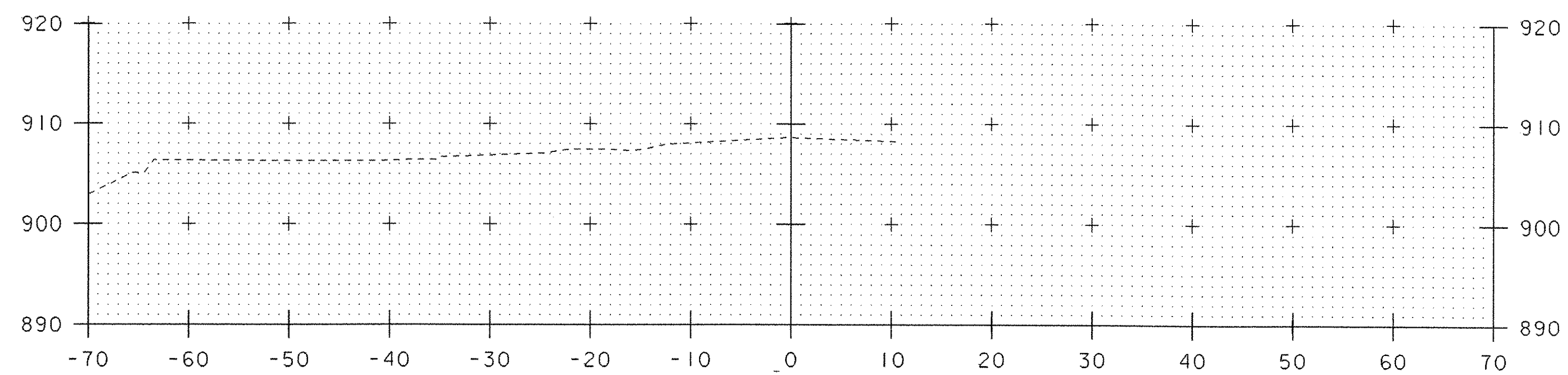
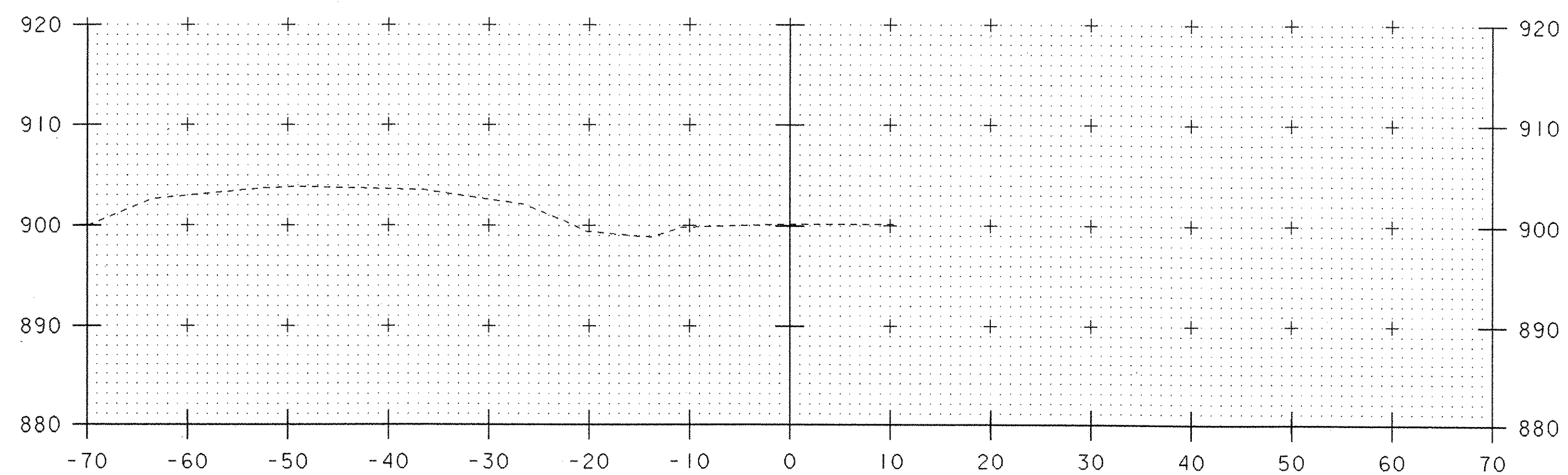


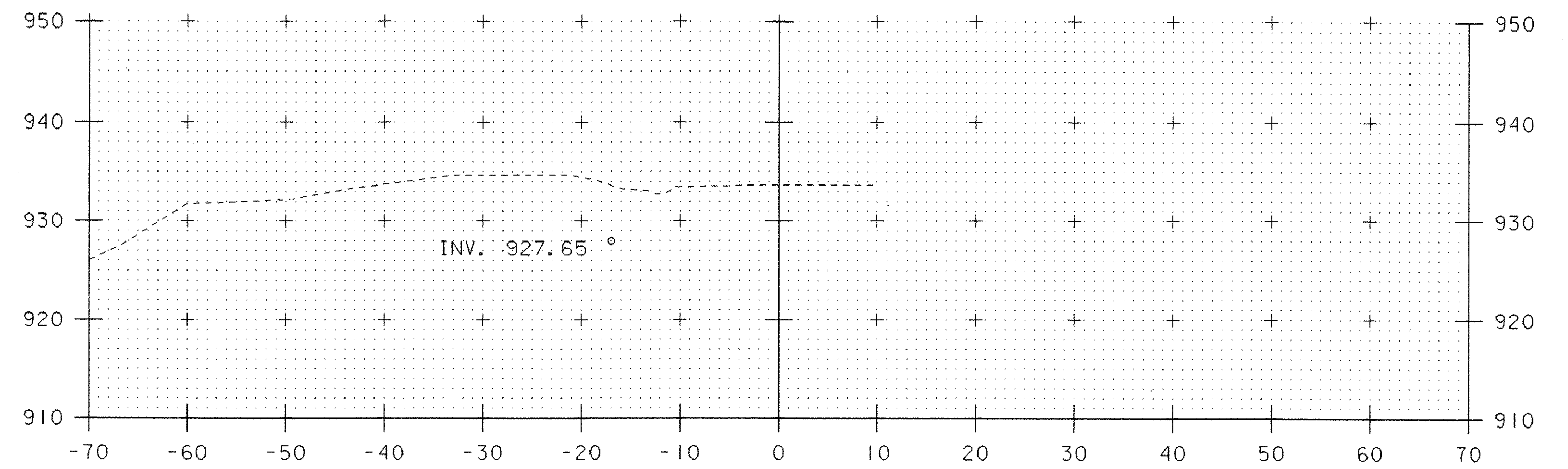
306+00



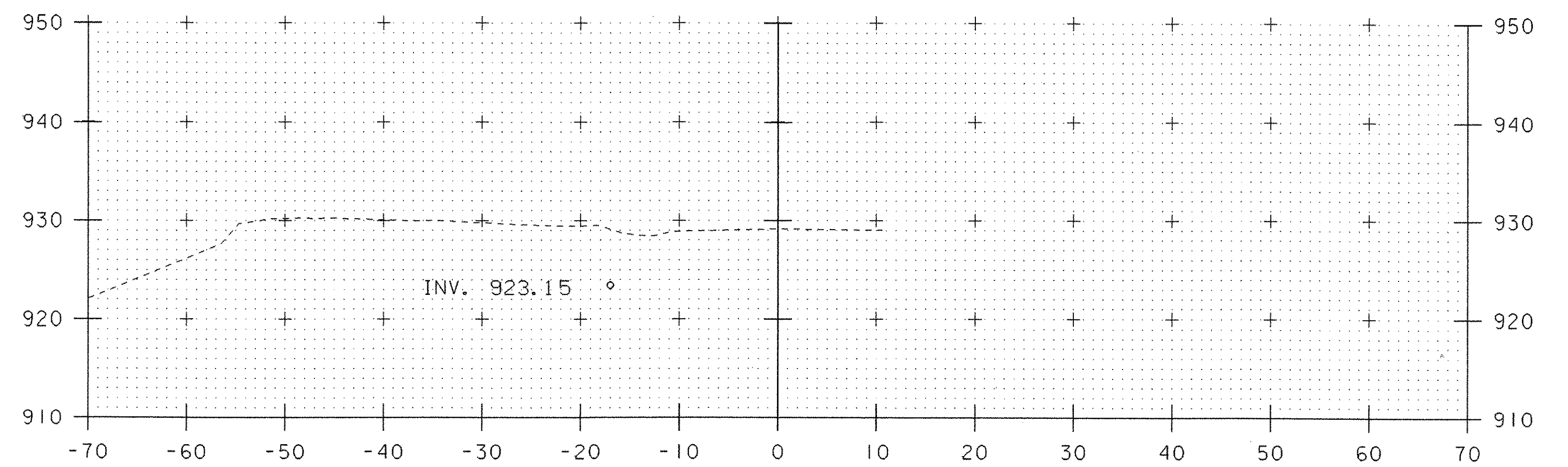
305+50



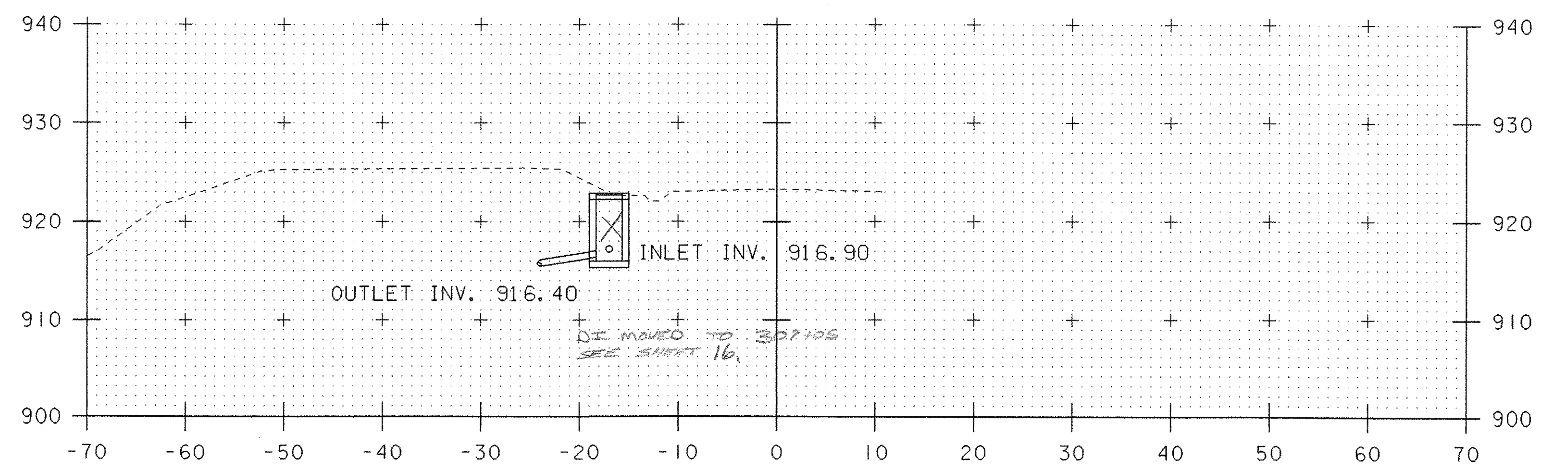
305+00



307+50



307+00



306+50



STA. 305+00 TO STA. 307+50

PROJECT NAME: HARDWICK	PLOT DATE: 18-OCT-2005
PROJECT NUMBER: STP ST 030-3(4)	DRAWN BY: M. NUTTER
FILE NAME: d04e060xslx.dgn	CHECKED BY: A. BOMBARDIER
PROJECT LEADER: A. BOMBARDIER	SHEET 61 OF 63
DESIGNED BY: M. NUTTER	
IPARM NAME: de060xs29.i	