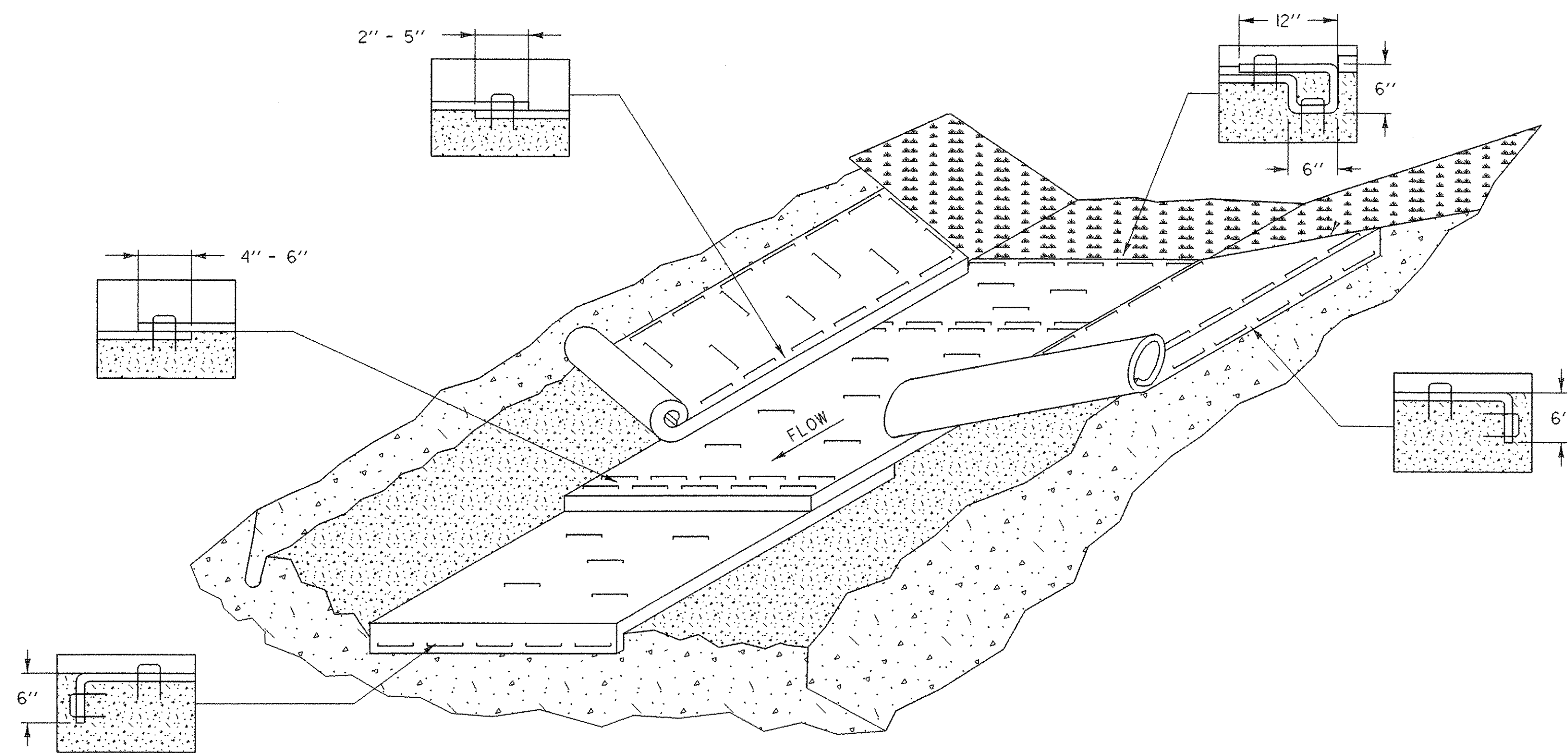


# EROSION PREVENTION & SEDIMENT CONTROL DETAILS DITCH & SLOPE PROTECTION



## EROSION PROTECTION FOR DITCHES

### APPLICATION NOTES:

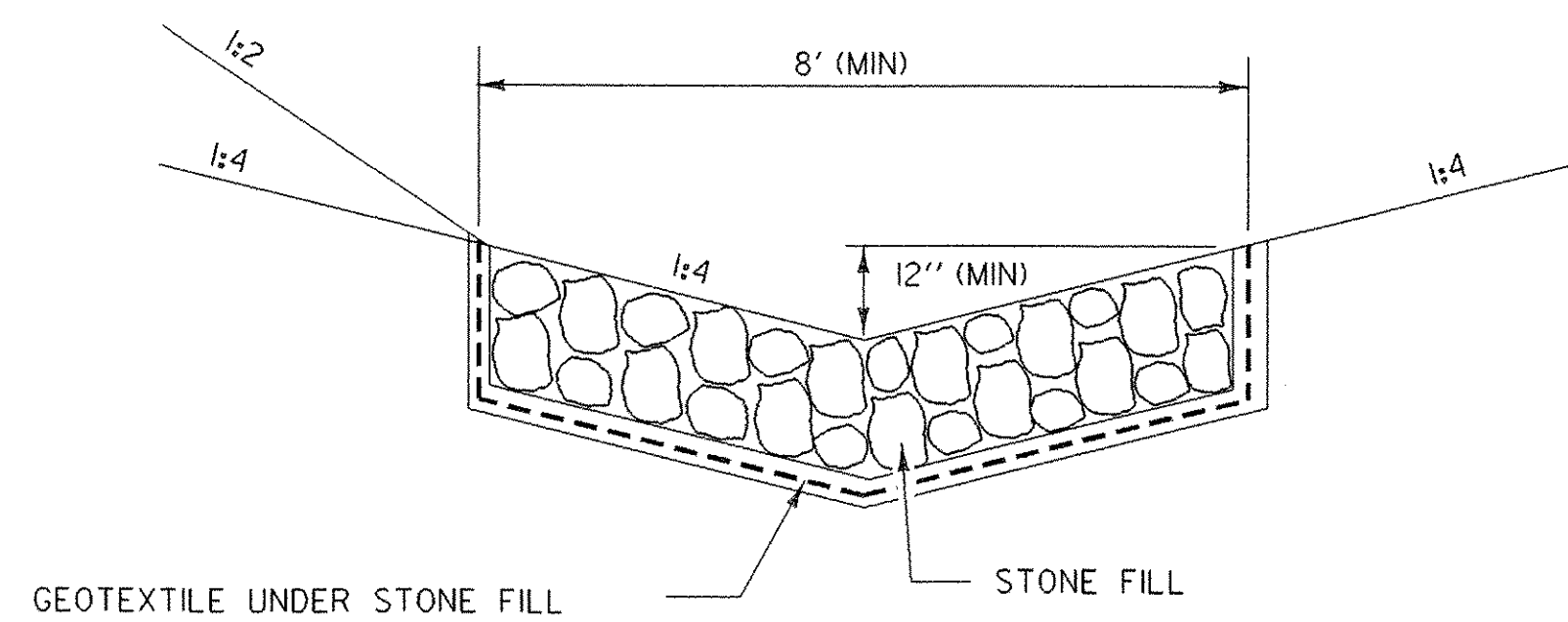
- A. THE PURPOSE OF LINING THE DITCH WITH EROSION MATTING IS TO REDUCE EROSION AND AID THE ESTABLISHMENT OF VEGETATION AT LOW VELOCITIES.
- B. THE FOLLOWING CHARTS SHALL BE USED TO DETERMINE THE APPROPRIATE EROSION CONTROL MEASURE:

DITCH AND CHANNEL PROTECTION	
SLOPE	LINING
< 1%	GRASS
1% TO 4%	EROSION MATTING
4% TO 10%	STONE FILL, TYPE I
> 10%	STONE FILL, TYPE II

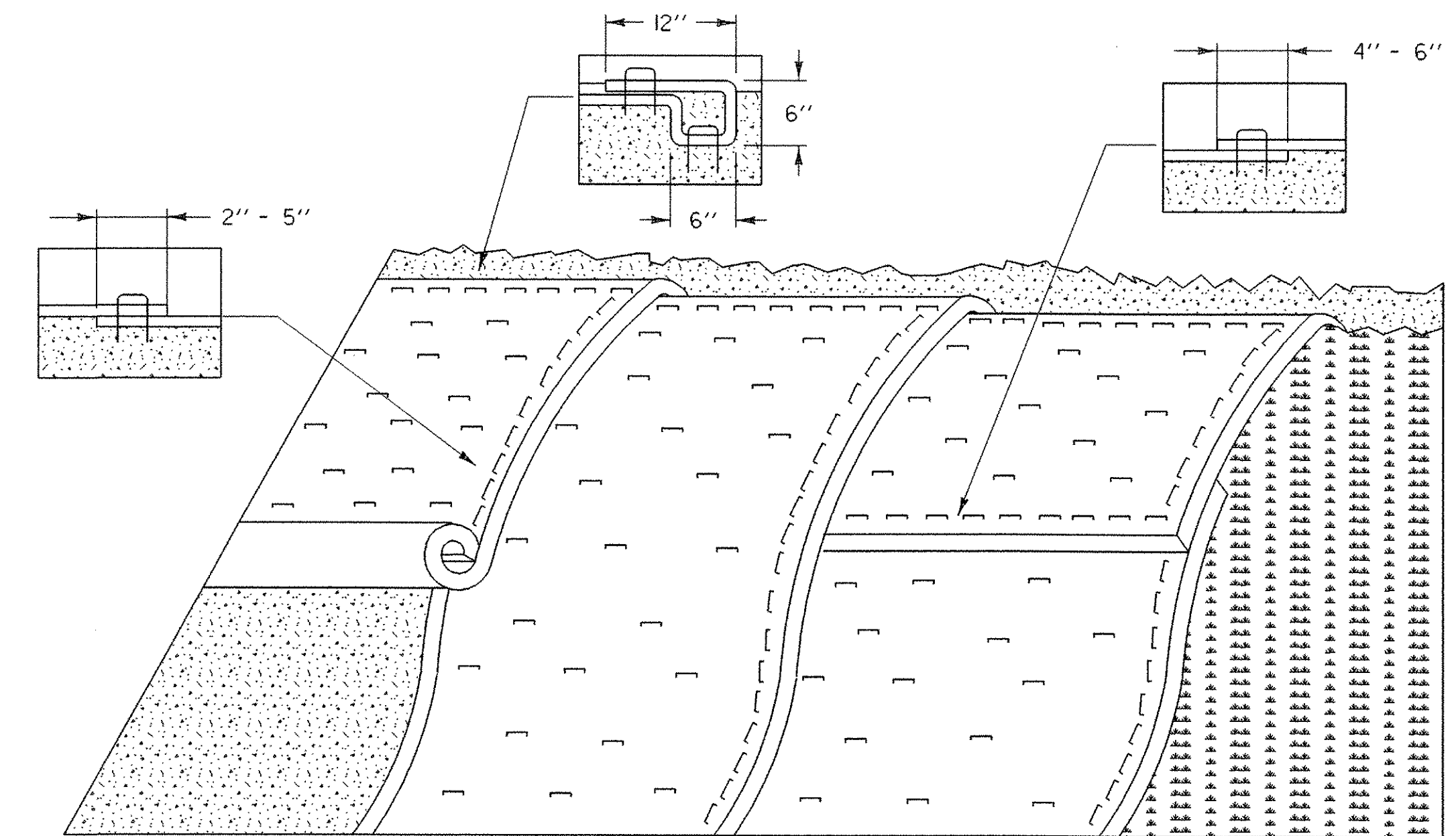
STONE FILL THICKNESS	
STONE FILL TYPE	THICKNESS
TYPE I	1 FT
TYPE II	2 FT

### GENERAL NOTES:

1. WATER MAY NEED TO BE DIVERTED TO ALLOW PROPER MATTING INSTALLATION.
2. GRADE AND SMOOTH CHANNEL TO PROVIDE GOOD MATTING TO SOIL SURFACE CONTACT.
3. APPLY FERTILIZER, LIME, AND SEED PRIOR TO PLACING MATTING.
4. INSTALL MATTING IN THE CENTER OF THE CHANNEL, IN THE DIRECTION OF THE WATER FLOW.
5. INSTALL MATTING ON THE SIDE SLOPES OF THE CHANNEL, OVERLAPPING THE CENTER MAT.
6. ANCHOR MATTING AS SHOWN, UTILIZING ANCHOR STAPLES. STAPLE PLACEMENT SHALL BE DETERMINED BY THE MANUFACTURER'S INSTALLATION INSTRUCTIONS.
7. MEASURES SHALL BE INSPECTED EVERY SEVEN (7) CALENDAR DAYS AND WITHIN 24 HOURS OF A STORM EVENT GREAT ENOUGH TO CAUSE WATER TO LEAVE THE CONSTRUCTION SITE.
8. MEASURES SHALL BE REPAIRED AND RESTAPLED AS NECESSARY TO ENSURE PROPER FUNCTION.
9. PAYMENT FOR INSTALLATION OF MATTING SHALL BE MADE UNDER THE EROSION CONTROL WITH MATTING ITEM.
10. PAYMENT FOR MONITORING EROSION CONTROL MATTING SHALL BE MADE UNDER THE MONITORING EROSION PREVENTION & SEDIMENT CONTROL PLAN ITEM.



## TEMPORARY STONE LINED DITCH



## EROSION PREVENTION FOR SIDE SLOPES

### APPLICATION NOTES:

- A. THE PURPOSE OF MATTING ON SIDE SLOPES IS TO REDUCE EROSION AND AID THE ESTABLISHMENT OF VEGETATION.
- B. EROSION CONTROL MATTING SHALL BE USED FOR THE FOLLOWING REASONS:
  - SIDE SLOPES > 1-3
  - AREAS WHERE SEED AND MULCH WILL NOT STAY IN PLACE ALONE
  - WHERE SEEDING IS OUTSIDE THE GROWING SEASON.

### GENERAL NOTES:

1. GRADE AND SMOOTH THE SLOPE TO PROVIDE GOOD MATTING TO SOIL SURFACE CONTACT.
2. APPLY FERTILIZER, LIME, AND SEED PRIOR TO PLACING MATTING.
3. ANCHOR MATTING AS SHOWN, UTILIZING ANCHOR STAPLES. STAPLE PLACEMENT SHALL BE DETERMINED BY THE MANUFACTURER'S INSTALLATION INSTRUCTIONS.
4. UNROLL MATTING VERTICALLY DOWN SLOPE IN THE DIRECTION OF WATER FLOW.
5. OVERLAP UPPER MATTING OVER LOWER MATTING AS SHOWN.
6. OVERLAP ADJACENT MATTING AS SHOWN.
7. CUT EXCESS MATTING AT END OF SLOPE AND ANCHOR THE END.
8. MEASURES SHALL BE INSPECTED EVERY SEVEN (7) CALENDAR DAYS AND WITHIN 24 HOURS OF A STORM EVENT GREAT ENOUGH TO CAUSE WATER TO LEAVE THE CONSTRUCTION SITE.
9. MATTING SHALL BE REPAIRED AND RESTAPLED AS NECESSARY TO ENSURE PROPER FUNCTION.
10. PAYMENT FOR INSTALLATION OF MATTING SHALL BE MADE UNDER THE EROSION CONTROL WITH MATTING ITEM.
11. PAYMENT FOR MONITORING EROSION CONTROL MATTING SHALL BE MADE UNDER THE MONITORING EROSION PREVENTION & SEDIMENT CONTROL PLAN ITEM.

N.T.S.

PROJECT NAME: HARDWICK  
PROJECT NUMBER: STP ST 030-3(4)

FILE NAME: D04e060frm.dgn	PLOT DATE: 18-OCT-2005
PROJECT LEADER: A. BOMBARDIER	DRAWN BY: M. NUTTER
DESIGNED BY: M. NUTTER	CHECKED BY: A. BOMBARDIER
IPARM NAME: D04e060epsc5.1	SHEET 27 OF 63