

**REMOVING SIGNS**  
AS SHOWN - 7

**DETECTABLE WARNING SURFACES**  
STA. 128+04, 27.5' LT  
STA. 128+15, 24.8' RT

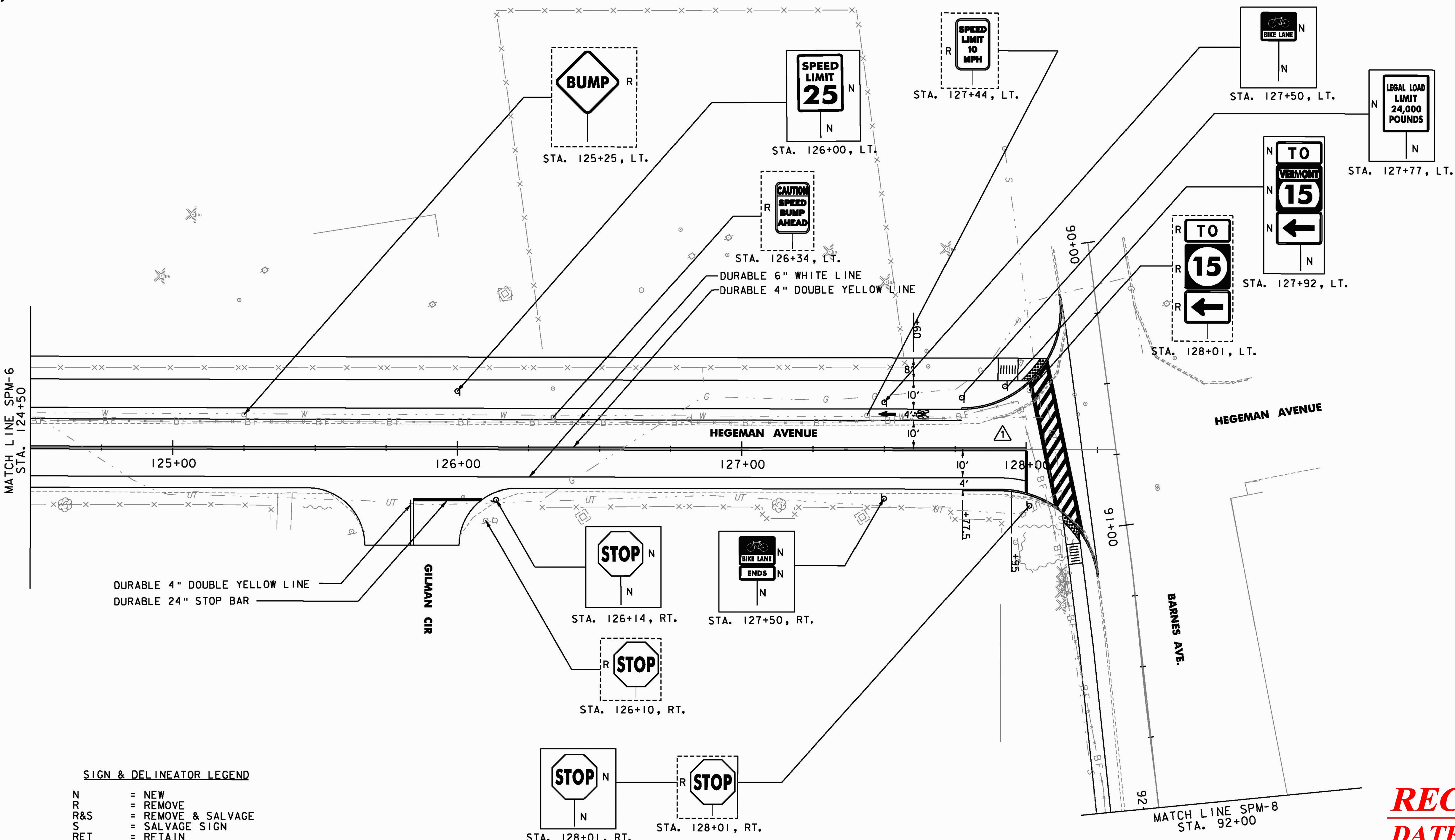
**DURABLE 6" WHITE LINE**  
STA. 124+50, LT. - STA. 127+77, LT. (BIKE LANE)  
STA. 124+50, RT. - STA. 128+00, RT. (BIKE LANE)

**DURABLE 24" STOP BAR**  
STA. 125+85, RT - STA. 126+09, RT  
STA. 128+00, RT.

**DURABLE 4" YELLOW LINE**  
STA. 124+50, CL. - STA. 128+00, CL. (DOUBLE SOLID)  
STA. 125+84, RT. - STA. 125+84, RT. (DOUBLE SOLID)

**DURABLE CROSSWALK MARKING**  
STA. 128+01, LT. - STA. 128+21, RT.

**DURABLE LETTER OR SYMBOL**  
STA. 127+51, LT. - ↑  
STA. 127+64, LT. - 🚲



**SIGN & DELINEATOR LEGEND**

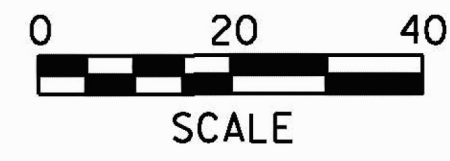
N	= NEW
R	= REMOVE
R&S	= REMOVE & SALVAGE
S	= SALVAGE SIGN
RET	= RETAIN
B-B	= BACK TO BACK
*	= MATCH EXISTING CONDITIONS
---	= EXISTING
- - -	= PROPOSED

**SIGNAGE PLAN NOTES:**

- ALL EXISTING SIGNS NOT SHOWN SHALL BE RETAINED UNLESS DIRECTED OTHERWISE BY THE RESIDENT ENGINEER.
- SEE VTRANS STANDARD E-121 FOR STANDARD SIGN PLACEMENT.
- ALL TEMPORARY PAVEMENT MARKINGS SHALL BE TEMPORARY 4" LINE. TEMPORARY LETTER OR SYMBOL REQUIRED FOR TURN ARROWS ONLY.

**RECORD DRAWING**  
**DATE: DECEMBER 21, 2012**

REVISION	BY	DATE
ADDENDUM - 1	JBL	01/24/11



PROJECT NAME:	COLCHESTER CAMPUS CONNECTOR
PROJECT NUMBER:	TCSP TCSE (007)
FILE NAME: ... \plotfiles\087-094_sign.plt	PLOT DATE: 4/22/2011
PROJECT LEADER: JBL	DRAWN BY: PZA
DESIGNED BY: TFD	CHECKED BY: GGG
<b>SIGNING/PVT MARKING PLAN SPM-7 SHEET 89 OF 153</b>	