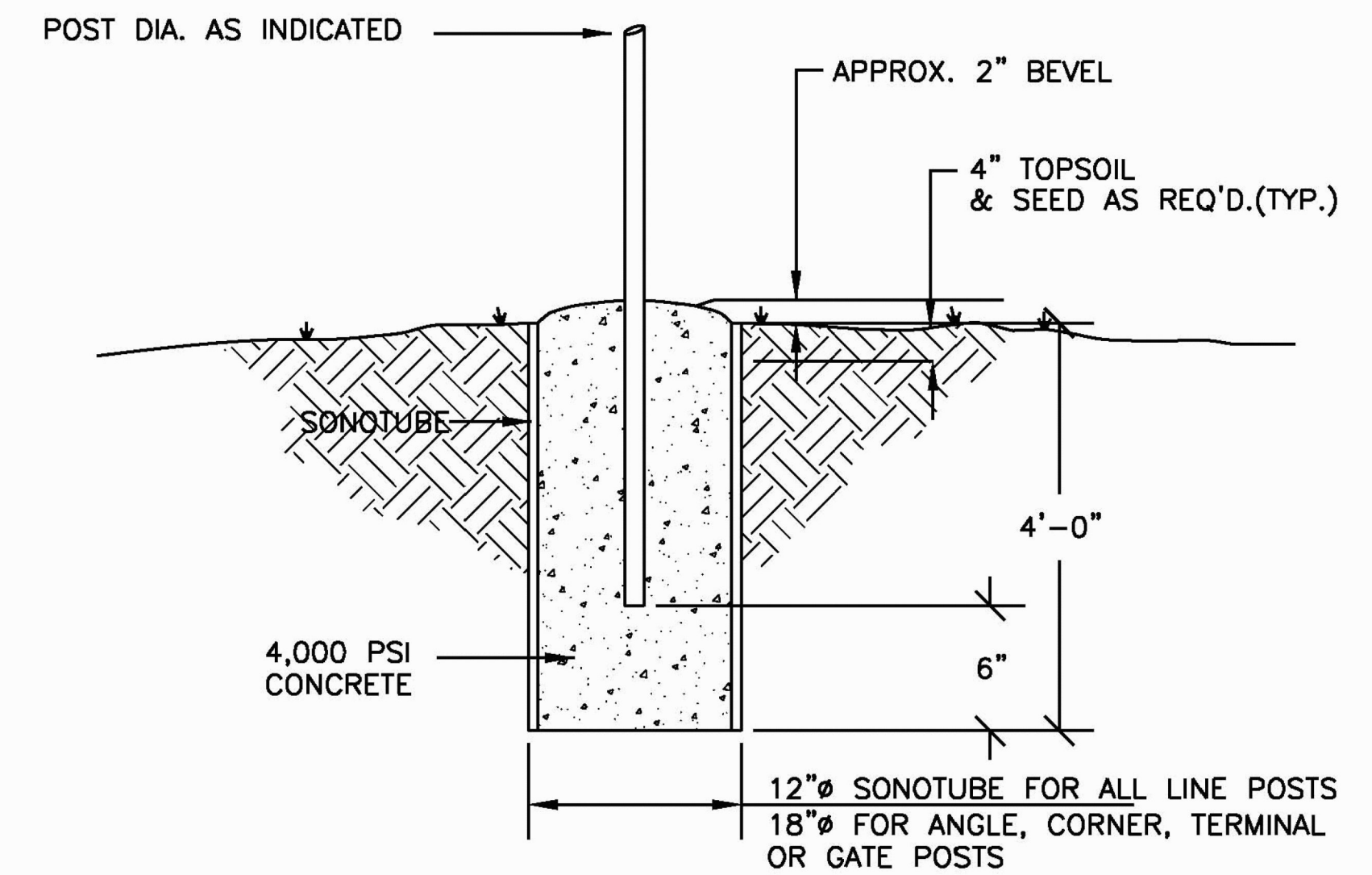


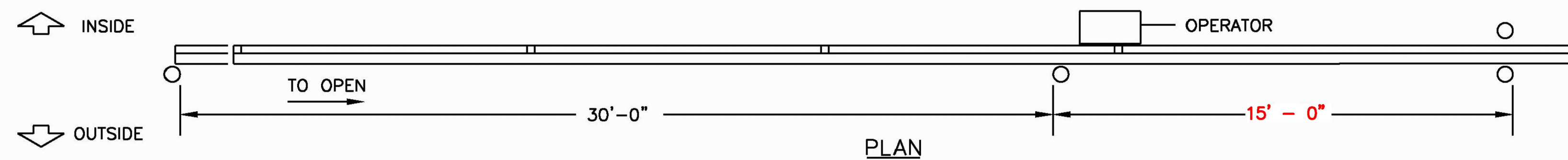
SPECIAL PROVISION (CHAIN-LINK FENCE WITH BARBED WIRE, 8 FEET- 6 FEET)

SCALE: N. T. S.

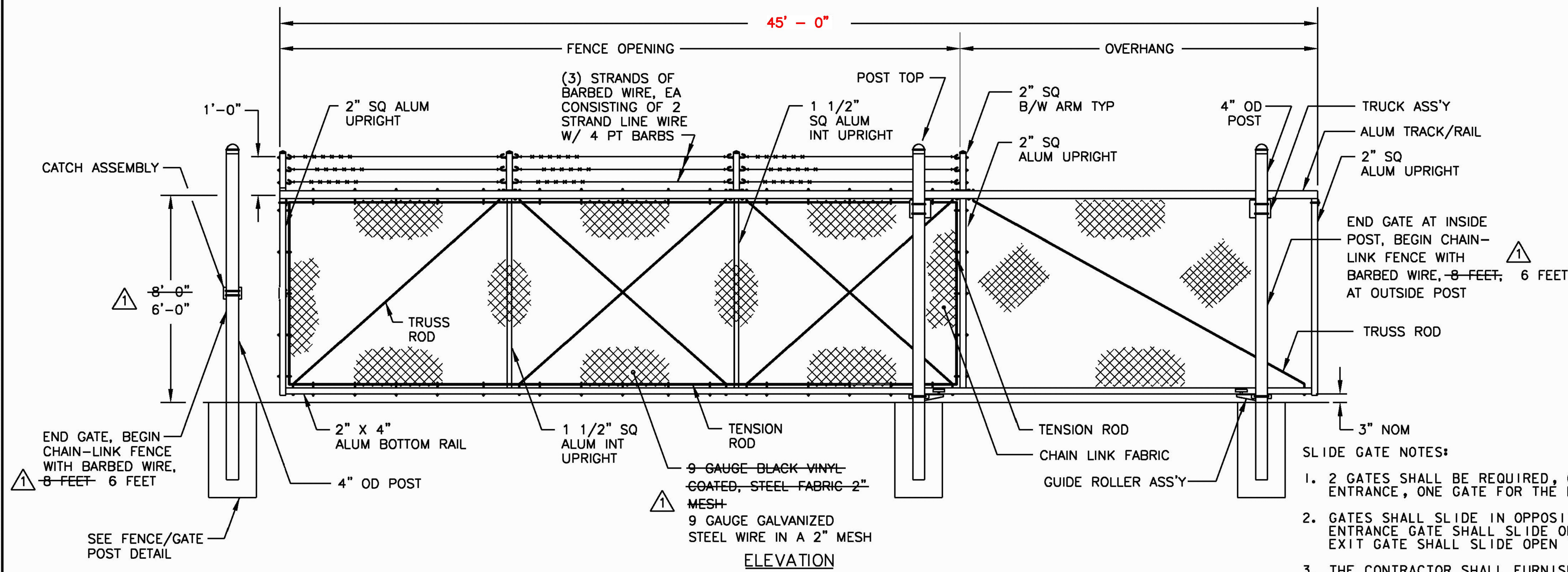


FENCE /GATE POST

SCALE: N. T. S.

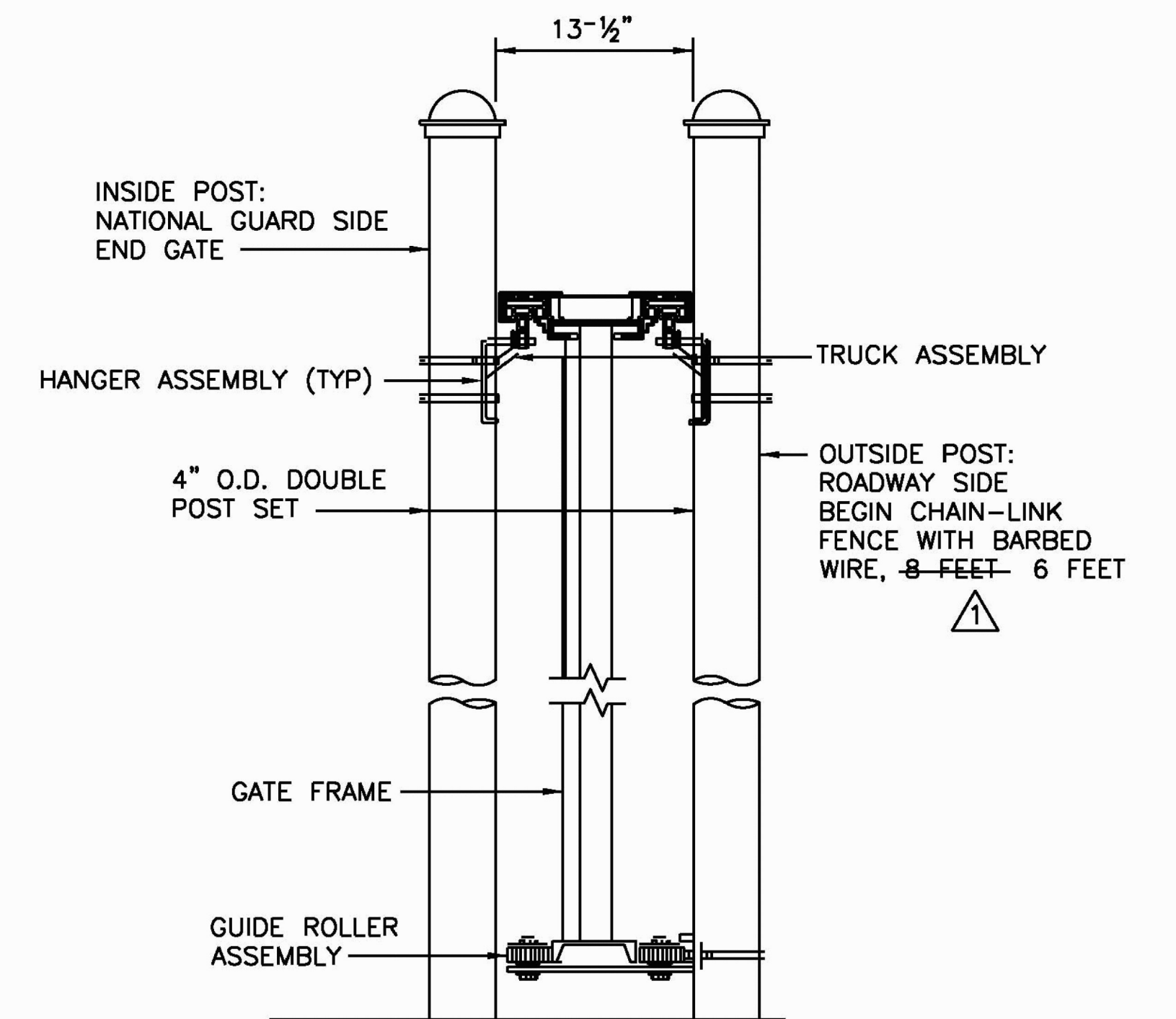


PLAN



SPECIAL PROVISION (SLIDE GATE)

SCALE: N. T. S.



ASSEMBLY SECTION

RECORD DRAWING

DATE: DECEMBER 21, 2012



- SLIDE GATE NOTES:**
- 2 GATES SHALL BE REQUIRED, ONE GATE FOR THE ENTRANCE, ONE GATE FOR THE EXIT.
 - GATES SHALL SLIDE IN OPPOSITE DIRECTIONS. THE ENTRANCE GATE SHALL SLIDE OPEN TO THE NE. THE EXIT GATE SHALL SLIDE OPEN TO THE SW.
 - THE CONTRACTOR SHALL FURNISH AND INSTALL GATE OPERATOR AND APPURTENANCES, THESE INCLUDE BUT ARE NOT LIMITED TO:
 - 1 HORSEPOWER SLIDE GATE OPERATOR. VOLTAGE BY LOCATION INCLUDING INTEGRAL CONTROL. TRANSFORMER AND CONVENIENCE OUTLET (S), AND AUXILIARY CONTROL CONTRACT. SLIDE GATE WILL BE OPERATED BY GUARD IN GUARD SHACK.
 - OPERATOR HEATER KIT INCLUDING THERMOSTAT AND FAN.

REVISION	BY	DATE
1	JBL	01/24/11

PROJECT NAME:	COLCHESTER CAMPUS CONNECTOR	PLOT DATE:	1/24/2011
PROJECT NUMBER:	TCSP TCSE (007)	DRAWN BY:	TFD
FILE NAME:	...\\plotfiles\066_Fencedet.prf	CHECKED BY:	GGG
DESIGNED BY:	TFD	SHEET	66 OF 153
FENCE DETAIL FD-1			