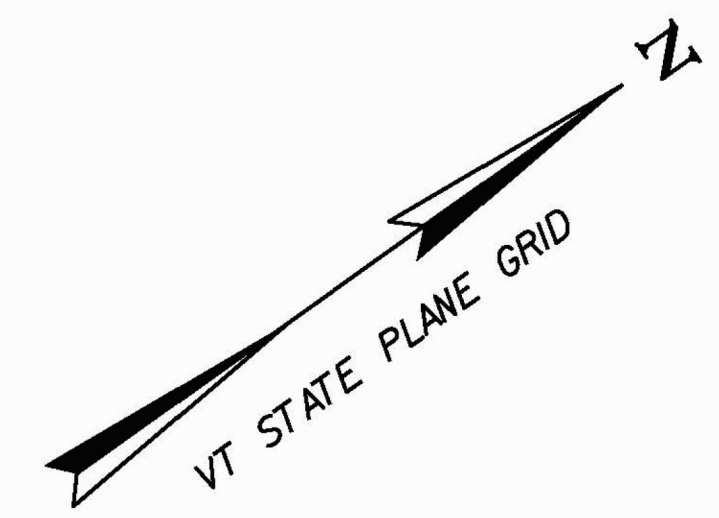
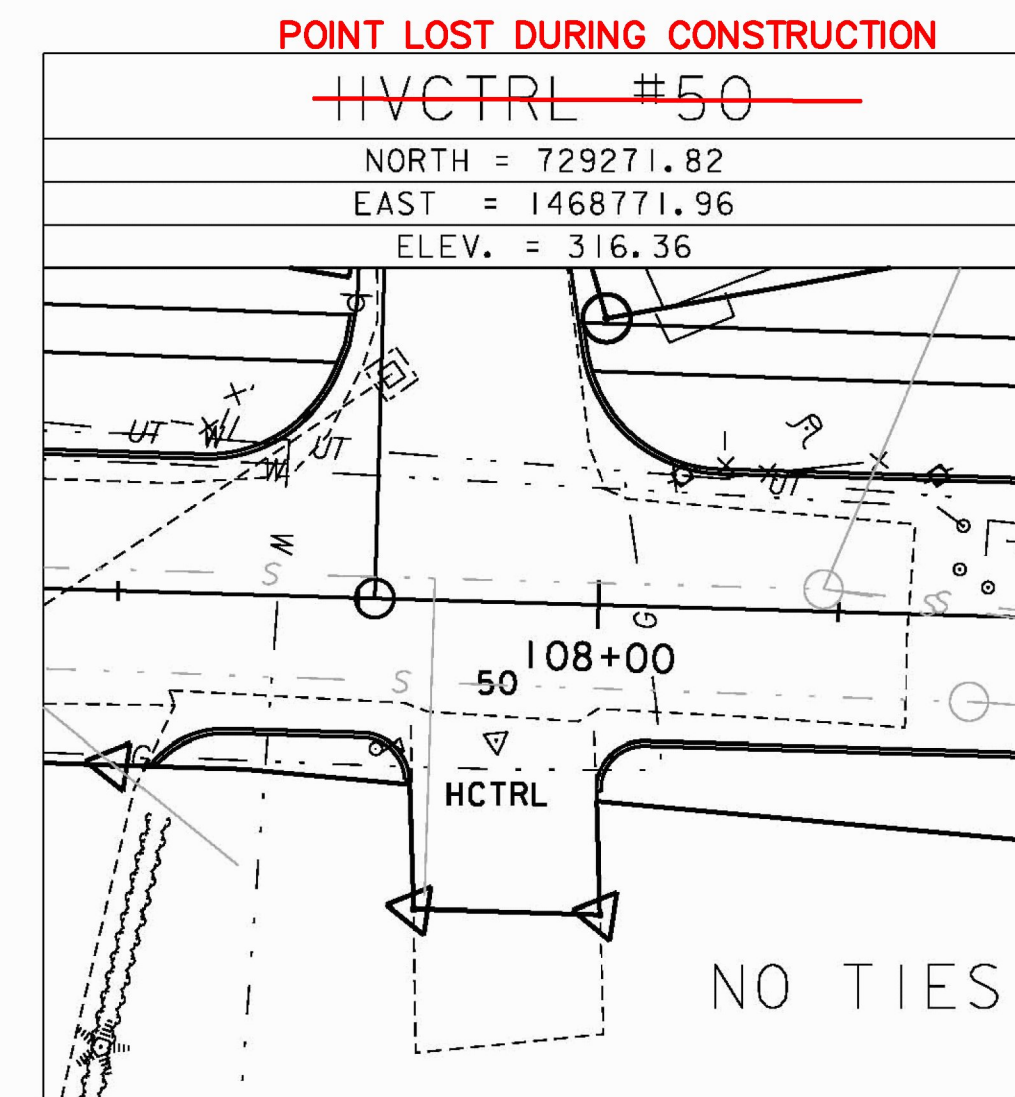
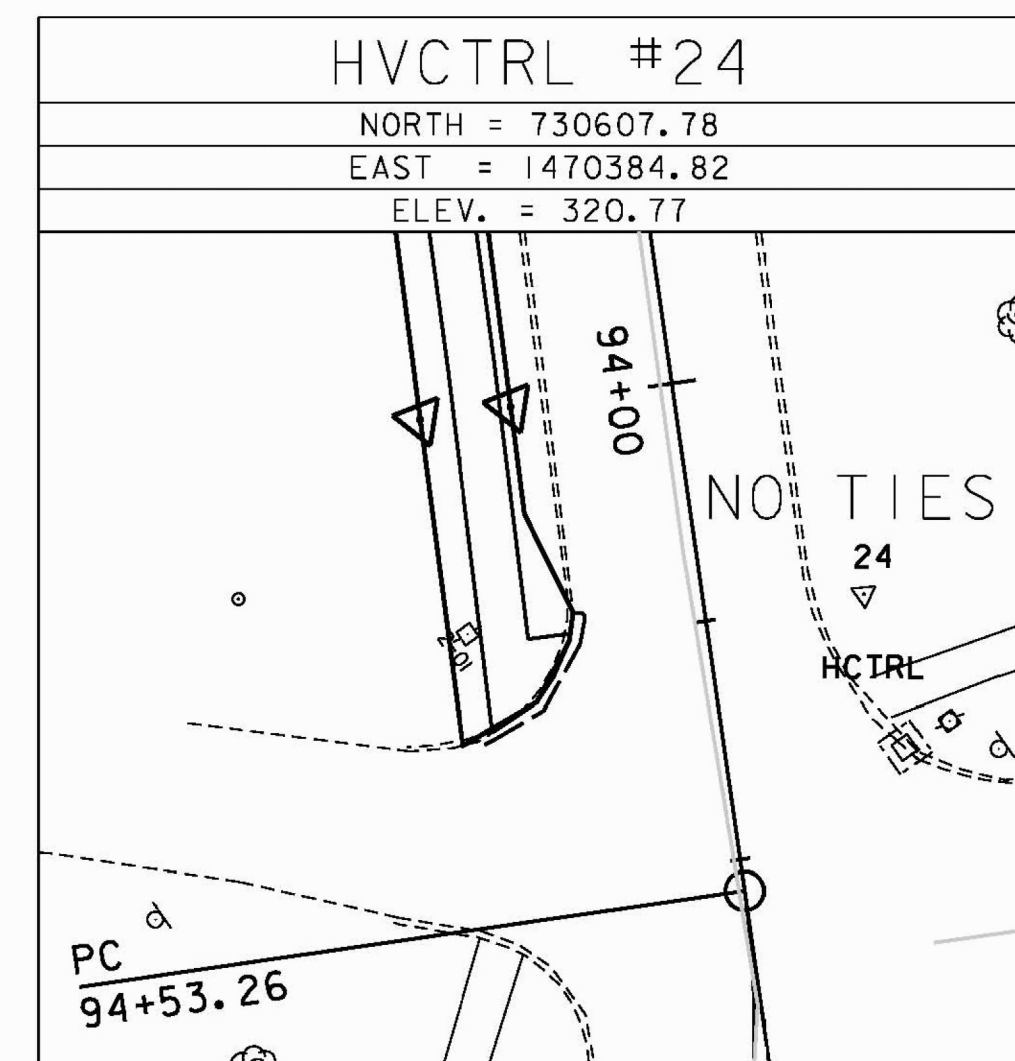
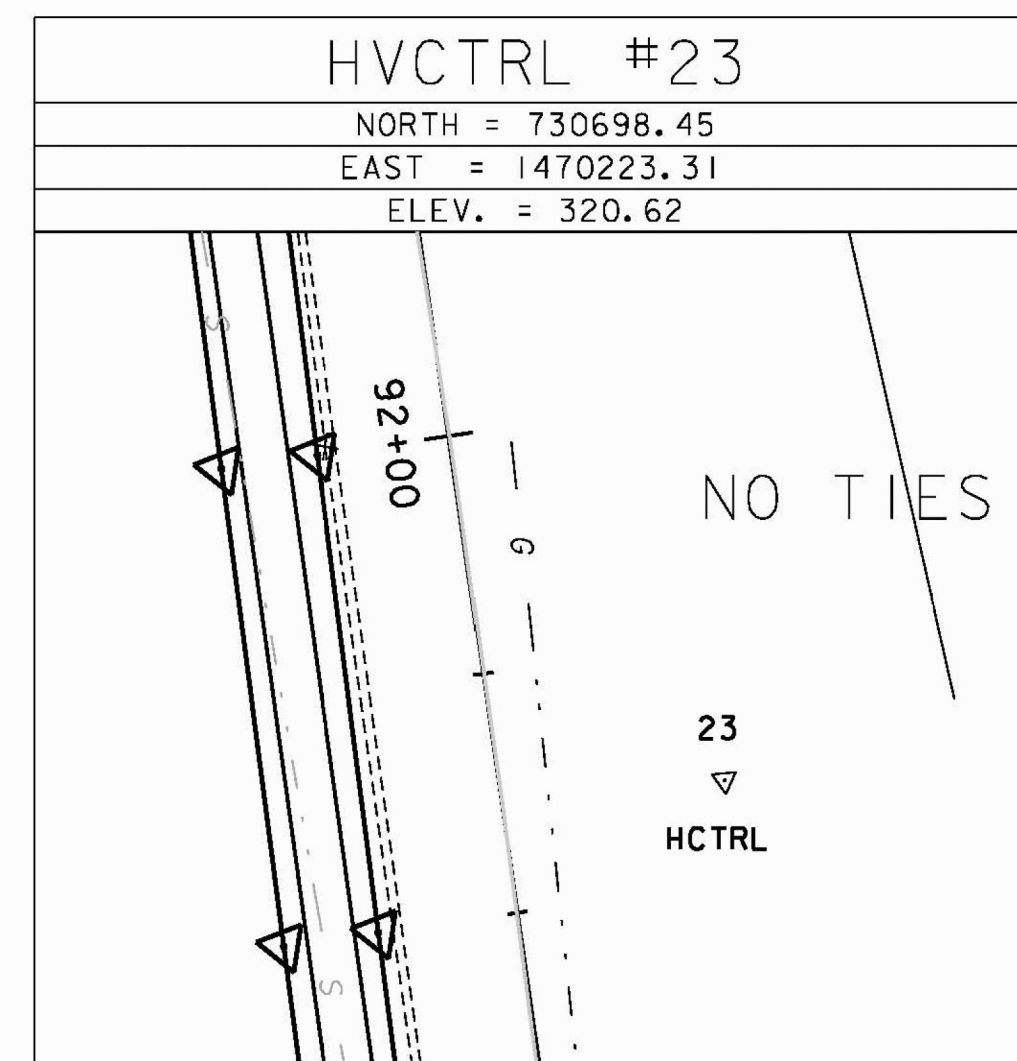
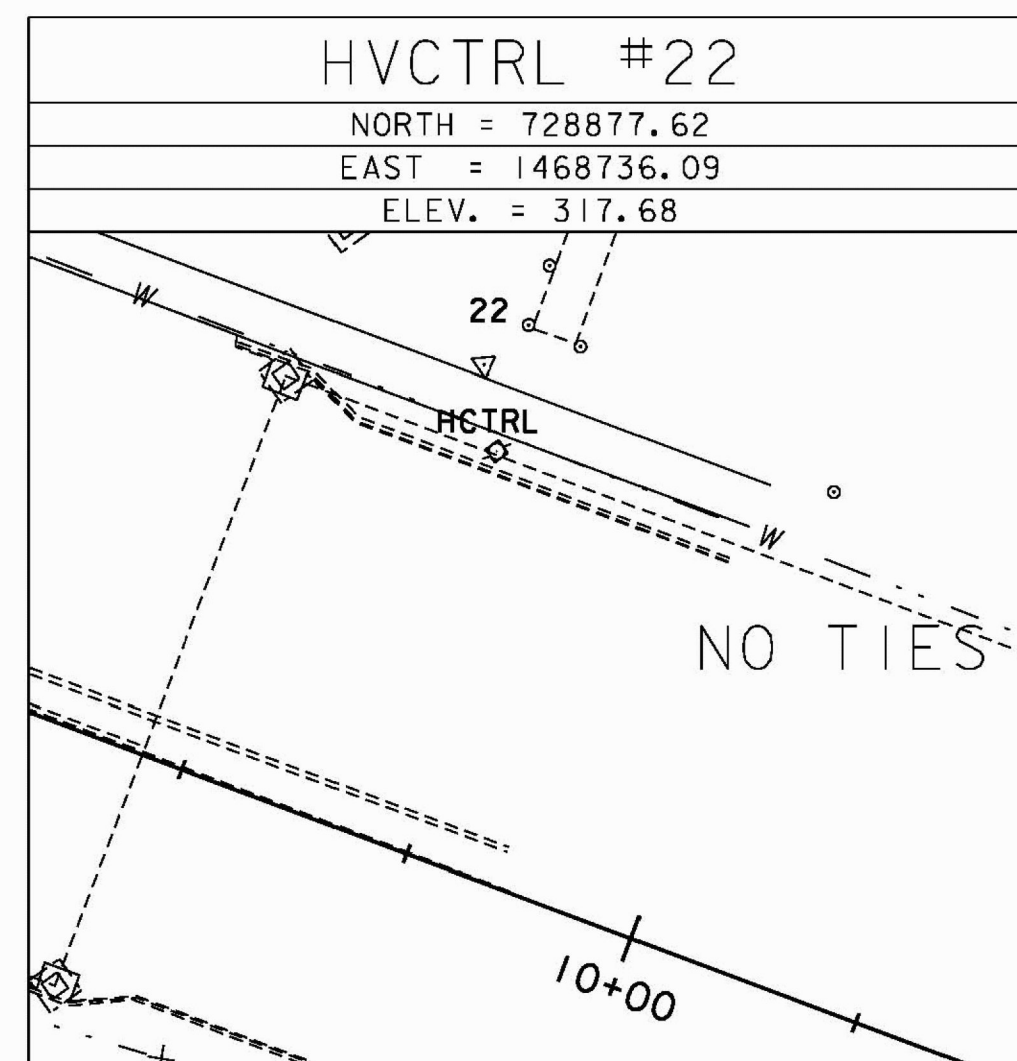
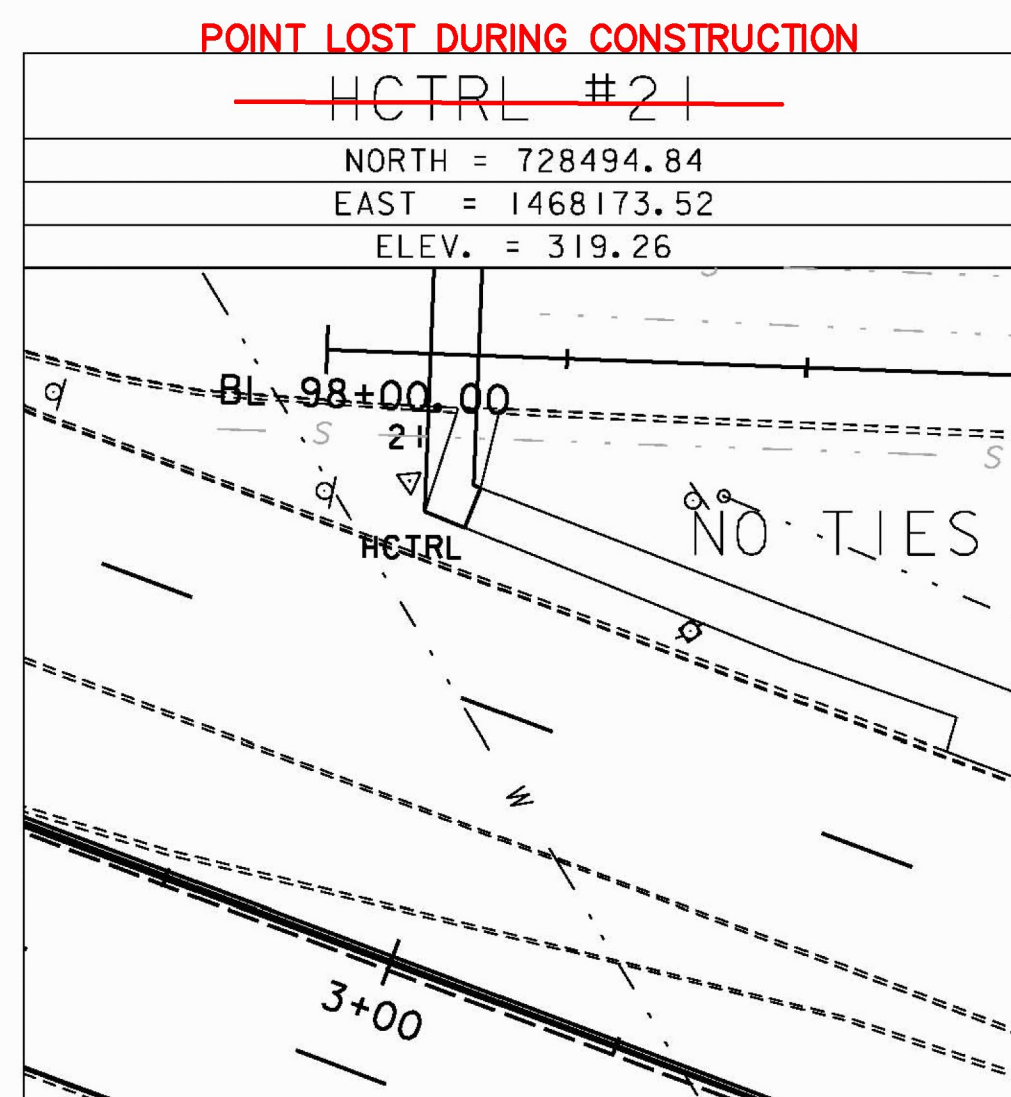


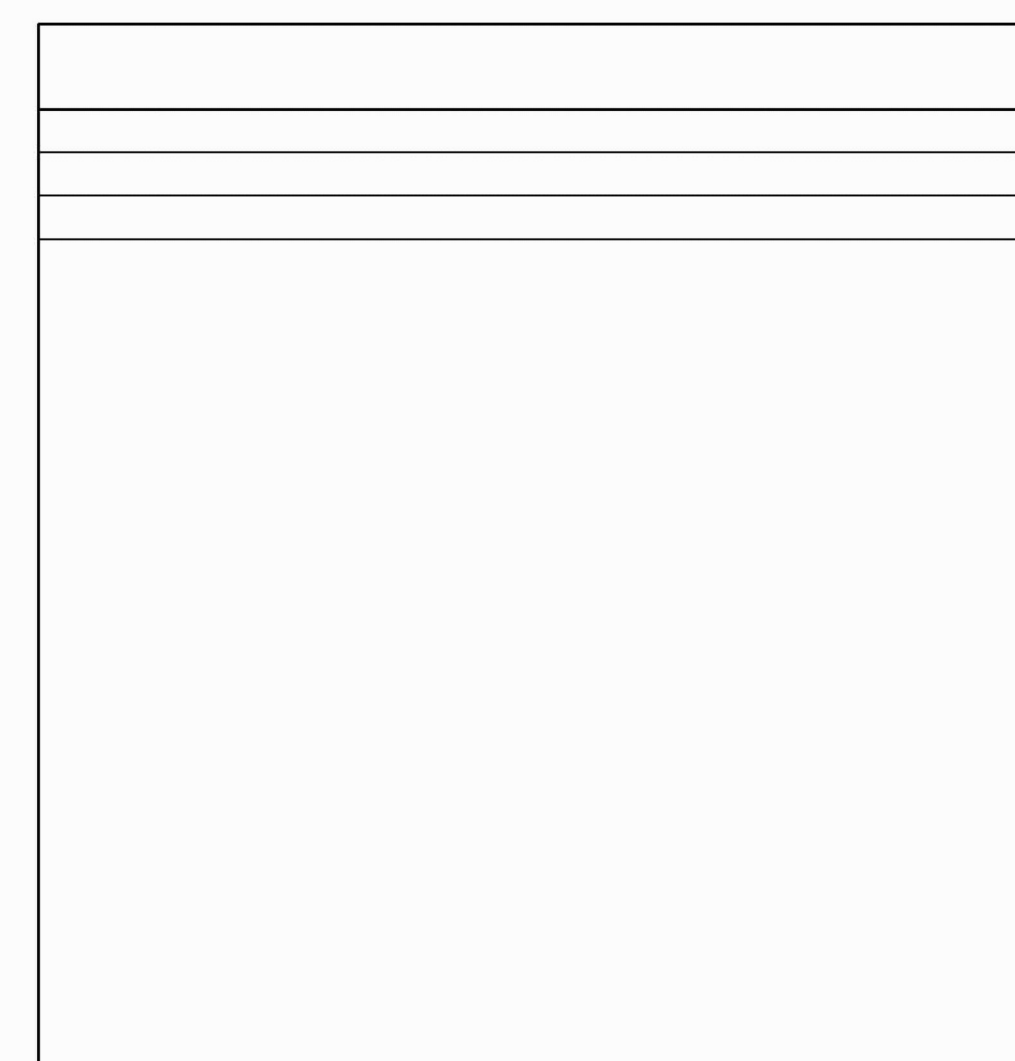
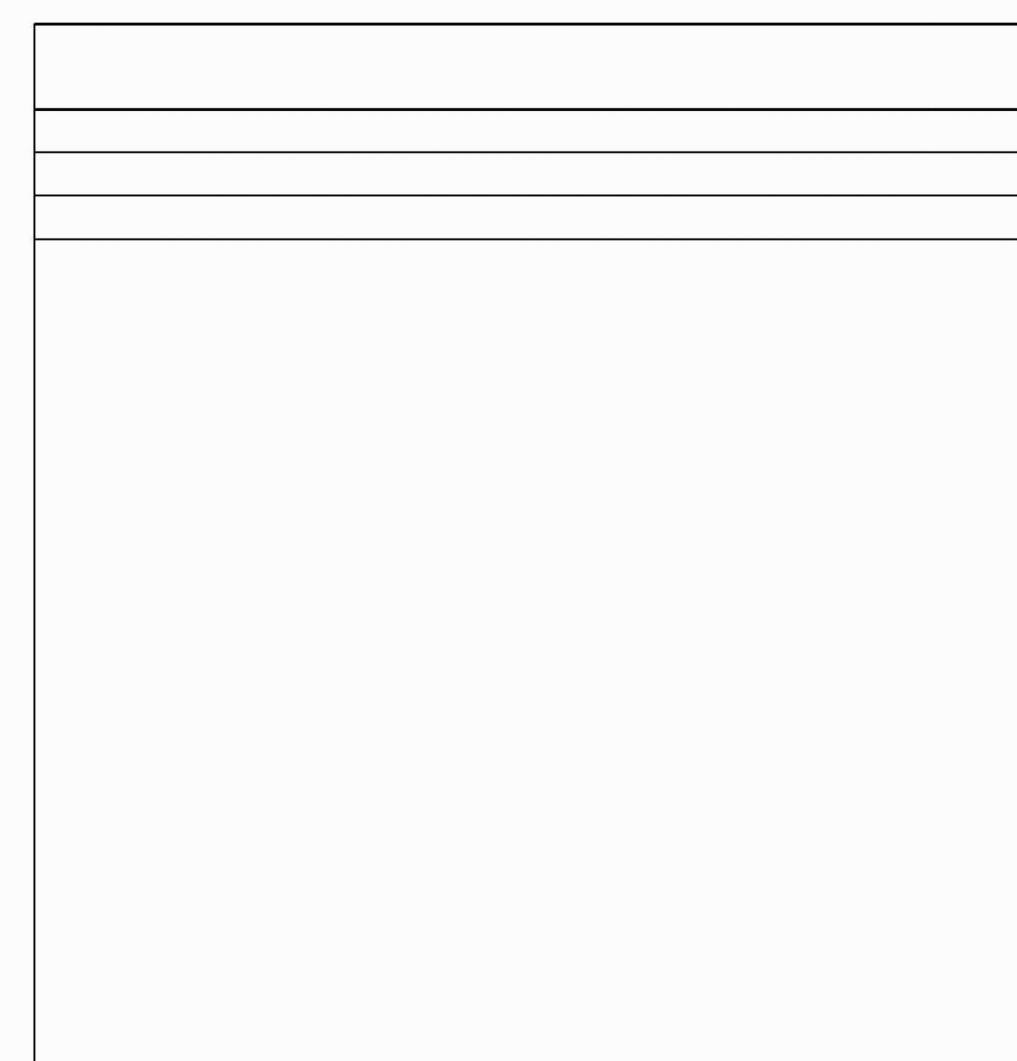
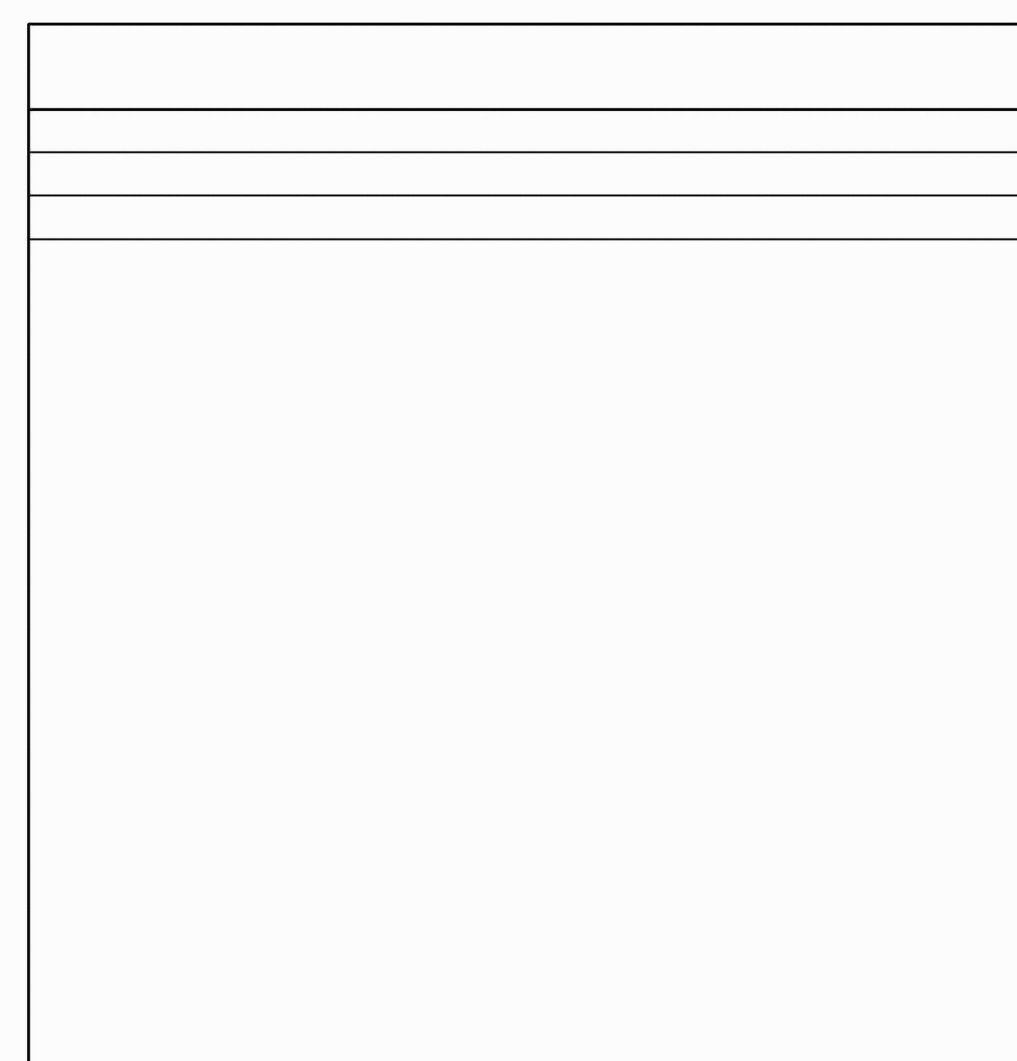
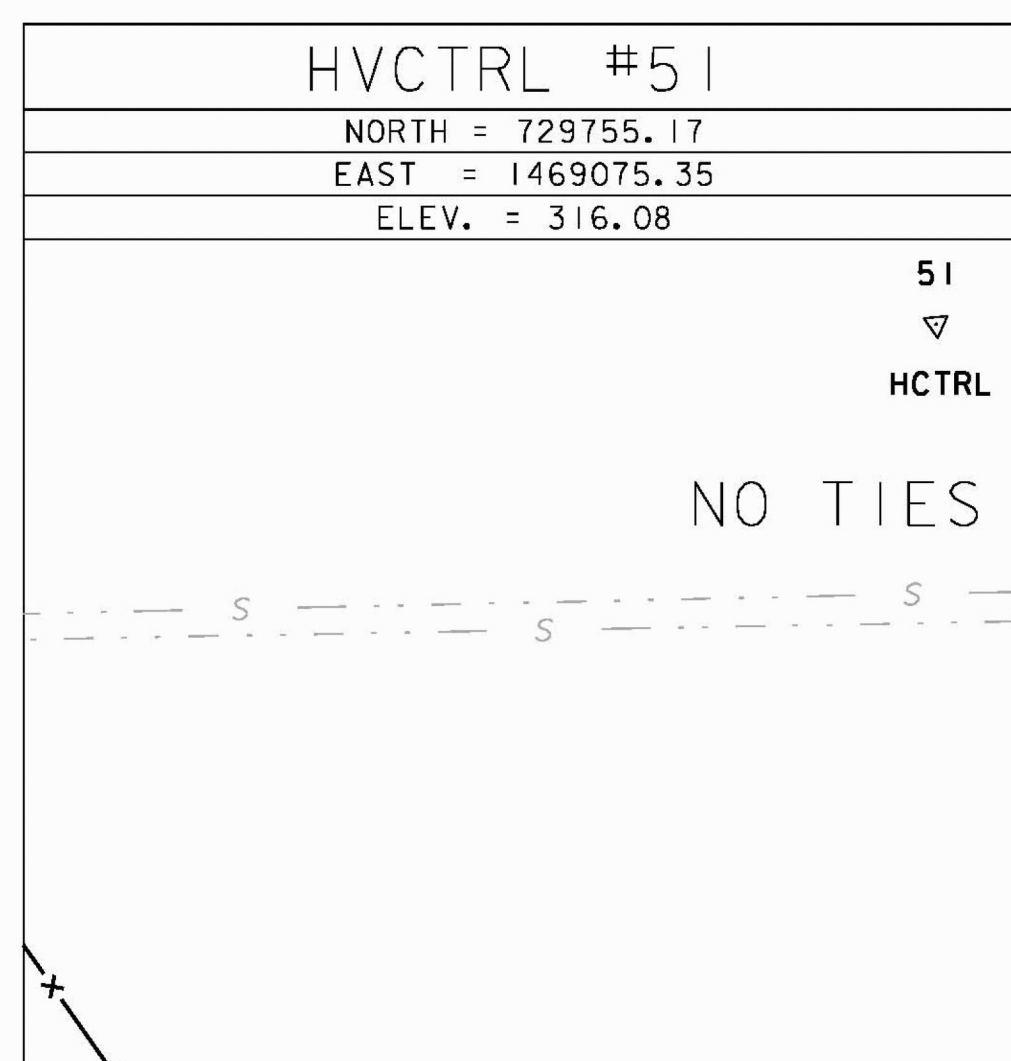
GPS CONTROL POINTS



TRAVERSE TIES



TRAVERSE TIES



RECORD DRAWING
DATE: DECEMBER 21, 2012

DATUM	
VERTICAL	NAVD88
HORIZONTAL	NAD83 (96)
ADJUSTMENT	COMPASS



PROJECT NAME:	COLCHESTER CAMPUS CONNECTOR
PROJECT NUMBER:	TCSP TCSE (007)
FILE NAME:	... \Plot Files\014-015_tie.ptf
PROJECT LEADER:	JBL
DESIGNED BY:	TFD
SURVEY TIE SHEET TIE-2	
PLOT DATE:	12/2/2010
DRAWN BY:	PZA
CHECKED BY:	GGG
SHEET	15 OF 153