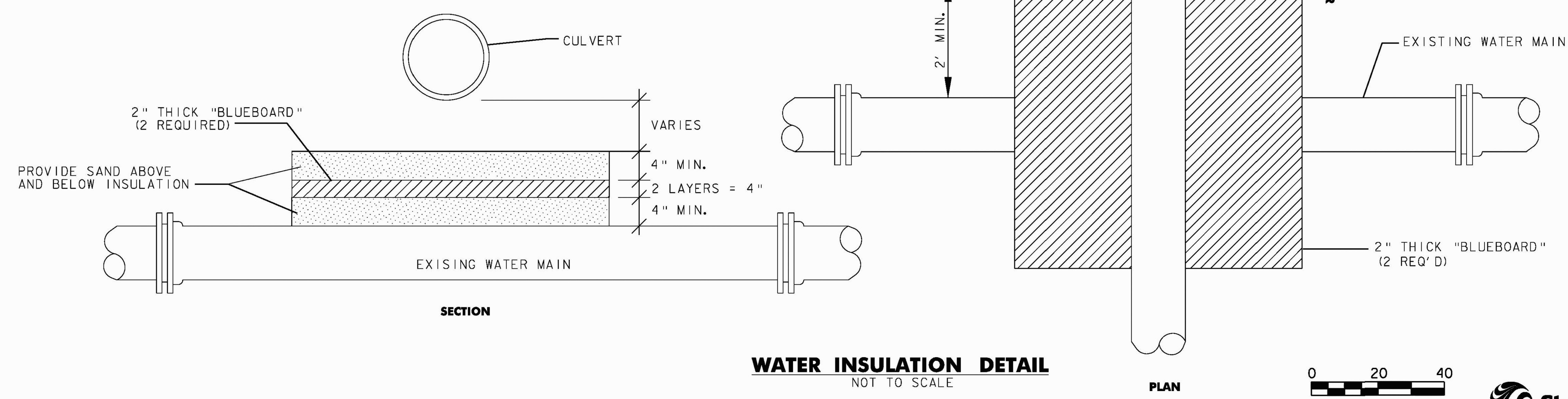
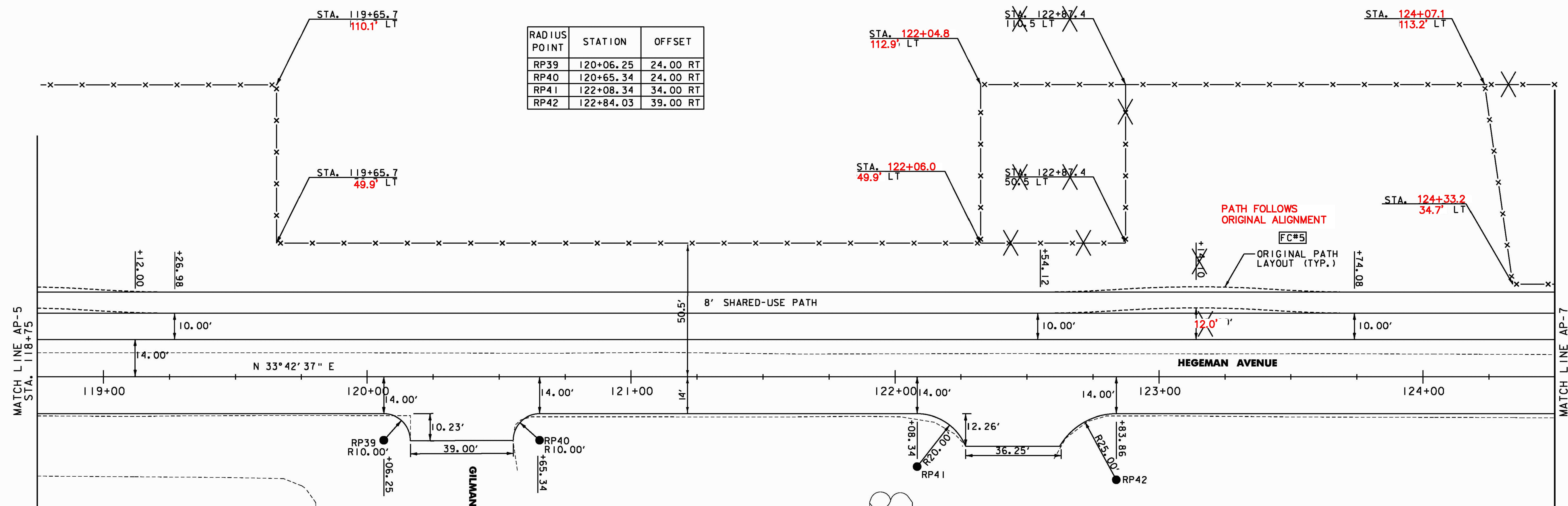


RADIUS POINT	STATION	OFFSET
RP39	120+06.25	24.00 RT
RP40	120+65.34	24.00 RT
RP41	122+08.34	34.00 RT
RP42	122+84.03	39.00 RT



RECORD DRAWING
DATE: DECEMBER 21, 2012

FC#5
~~FIELD CHANGE #5 -~~
~~REVISED HORIZONTAL ALIGNMENT~~
~~STA. 118+07.02 TO STA. 119+26.98~~
~~STA. 122+54.12 TO STA. 123+74.08~~

~~FIELD CHANGE #3 - SEPTEMBER 2, 2011~~
~~MOVED NATIONAL GUARD FENCE AND~~
~~INFILTRATION BASIN~~
~~FIELD CHANGE #5 - NOVEMBER 23, 2011~~
~~SHARED USE PATH ALIGNMENT, PROFILE~~
~~AND CROSS SECTIONS REVISED~~
~~STA. 115+50 TO STA. 124+50~~

PROJECT NAME: COLCHESTER CAMPUS CONNECTOR
 PROJECT NUMBER: TCSP TCSE (007)

FILE NAME: ...006-013_A11.p1f
 PROJECT LEADER: JBL
 DESIGNED BY: TFD
ALIGNMENT PLAN AP-6

PLOT DATE: 11/23/2011
 DRAWN BY: PZA
 CHECKED BY: GGG
 SHEET 11 OF 153

