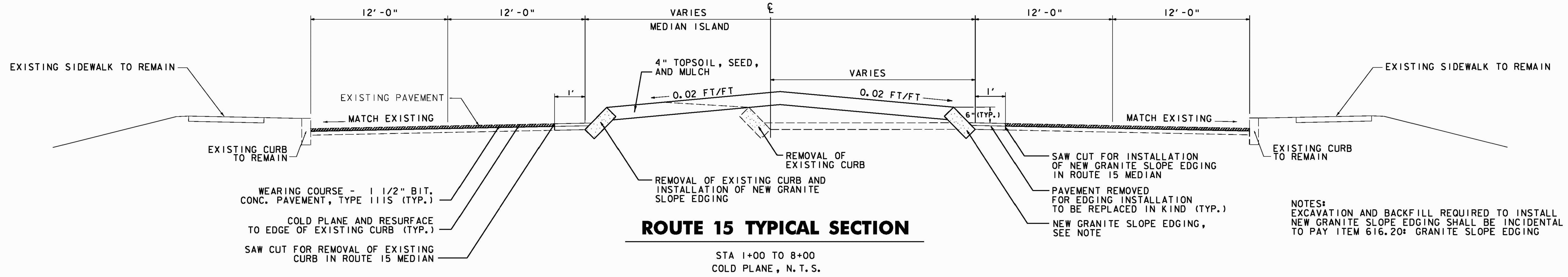


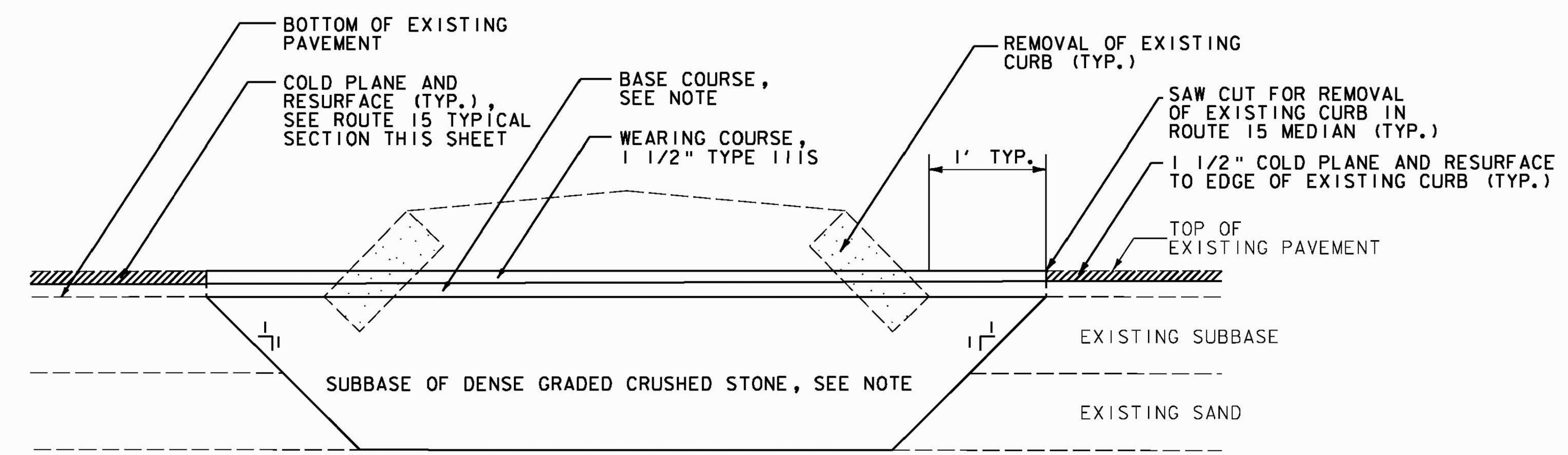
TYPICAL SECTIONS



ROUTE 15 TYPICAL SECTION

STA 1+00 TO 8+00
COLD PLANE, N. T. S.

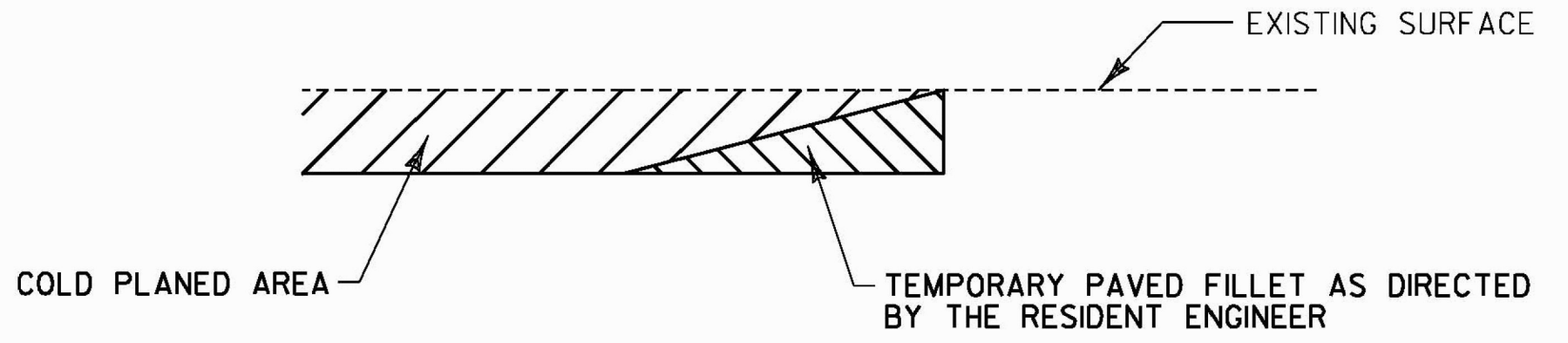
NOTES:
EXCAVATION AND BACKFILL REQUIRED TO INSTALL
NEW GRANITE SLOPE EDGING SHALL BE INCIDENTAL
TO PAY ITEM 616.20: GRANITE SLOPE EDGING



REMOVAL OF ROUTE 15 MEDIAN ISLAND

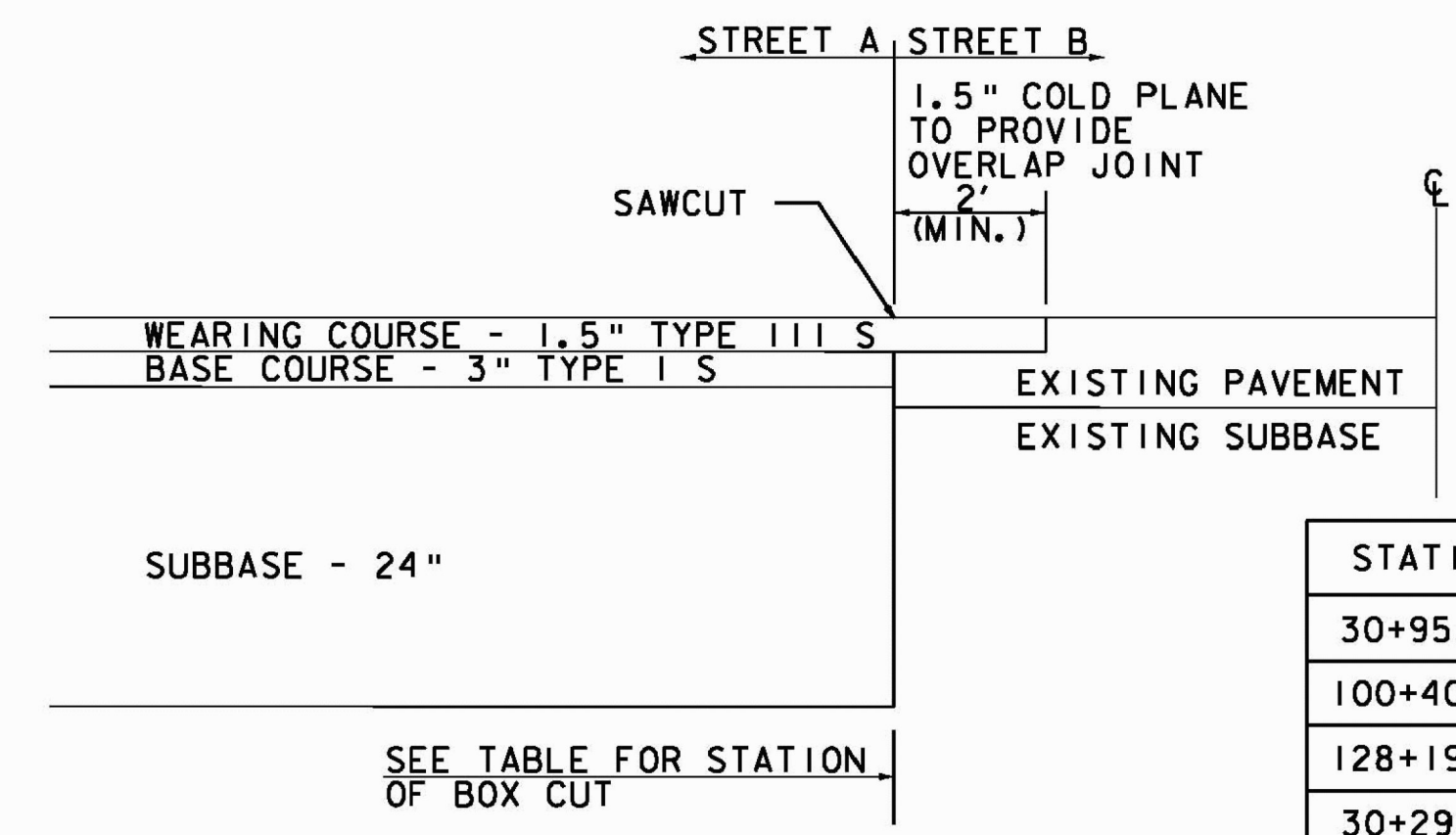
SCALE: N. T. S.
RT. 15 STA 5+16, RT - 7+00, CL

NOTE:
SUBBASE AND PAVEMENT BASE COURSE THICKNESSES REQUIRED TO
REPLACE MEDIAN ISLAND EXCAVATION SHALL MATCH EXISTING ROUTE 15
PAVEMENT SECTION.



DETAIL AT VERTICAL COLD PLANED JOINTS

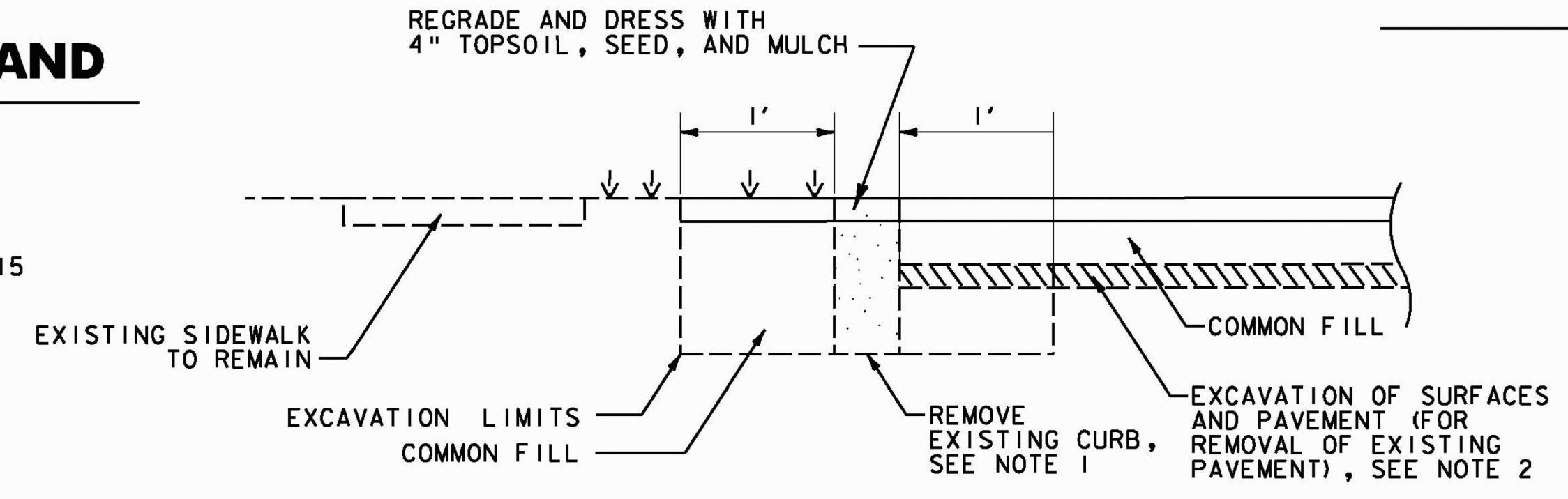
SCALE: N. T. S.
VT ROUTE 15 STA. 1+00
VT ROUTE 15 STA. 8+00



INTERSECTING STREET TYPICAL PAVEMENT AND SUBBASE TRANSITION

STATION	STREET A	STREET B
30+95.30	VT NATIONAL GUARD RD.	VT ROUTE 15
100+40.00	MAINLINE	VT ROUTE 15
128+19.50	MAINLINE	BARNES AVE.
30+29.15	JUGHANDLE	VT ROUTE 15

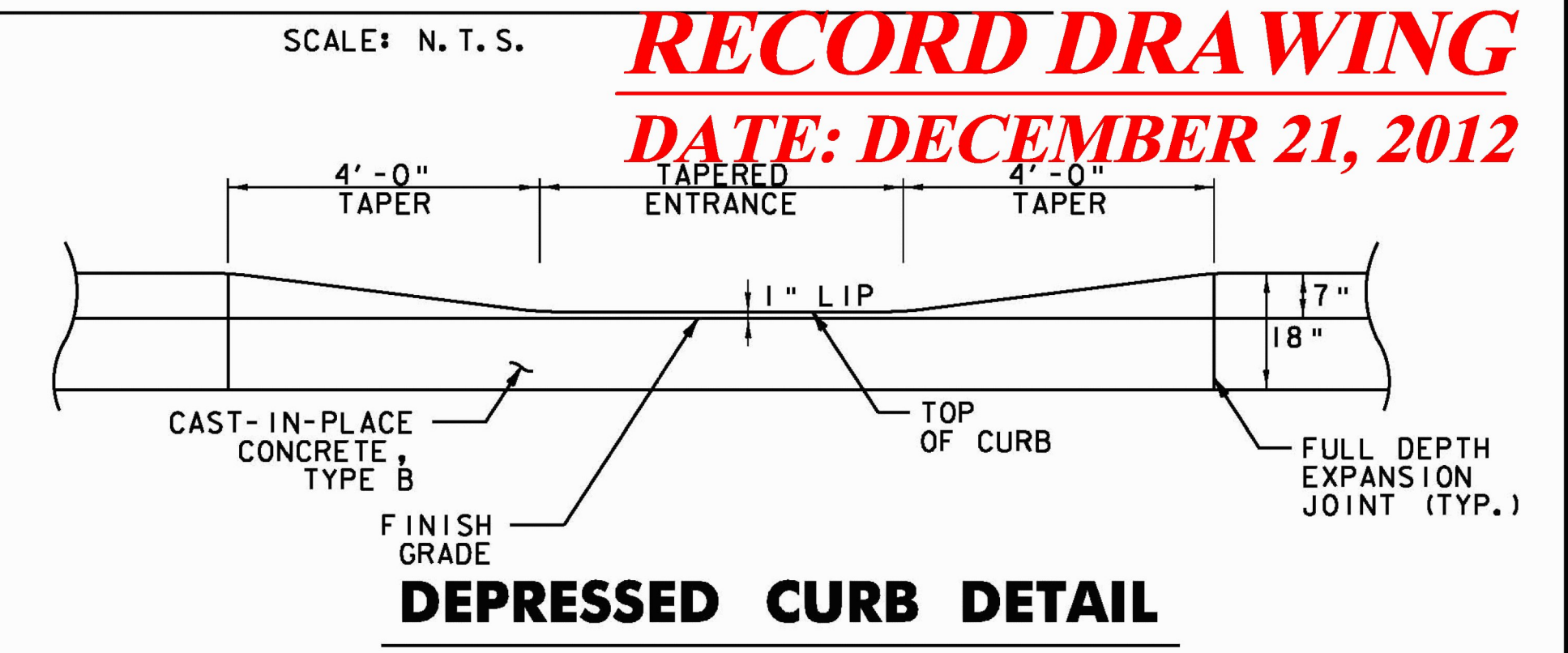
SEE TABLE FOR STATION OF BOX CUT



REMOVAL OF VERTICAL CURB

SCALE: N. T. S.
JOHNSON AVENUE EXTENSION:
VT ROUTE 15 STA. 1+03, 39.4' LT - 2+22, 60.2' LT
VT ROUTE 15 STA. 2+38, 65.7' LT - BL 98+90, 17.9' LT
VT ROUTE 15 STA. 2+44, 43.8' LT - 4+61, 52.0' LT
VT ROUTE 15 STA. 5+24, 50.0' LT - BL 100+84, 6.9' RT
JOHNSON AVE EXTENSION STA. BL 99+23, 17.4' LT - BL 100+67, 20.0' LT

NOTES:
1. ALL WORK AND MATERIAL REQUIRED TO REMOVE EXISTING CURB INCLUDING ALL EXCAVATION AND BACKFILL SHALL BE INCIDENTAL TO PAY ITEM 616.41 REMOVAL OF EXISTING CURB
2. REMOVAL AREAS ON JOHNSON AVE. EXTENSION SHALL BE REPLACED WITH COMMON FILL, 4" TOPSOIL, SEED, AND MULCH.



DEPRESSED CURB DETAIL

SCALE: N. T. S.
JOHNSON AVE STA. 101+47 TO STA. 101+56 LT
JOHNSON AVE STA. 106+40 TO STA. 107+04 RT

PROJECT NAME:	COLCHESTER CAMPUS CONNECTOR
PROJECT NUMBER:	TCSP TCSE (007)
FILE NAME:	...Plot Files\003-005_typical.plt
PROJECT LEADER:	JBL
DESIGNED BY:	TFD
CHECKED BY:	GGG
TYPICAL SECTION	TS-3
PLOT DATE:	12/2/2010
DRAWN BY:	AHC
CHECKED BY:	GGG
SHEET	5 OF 153

