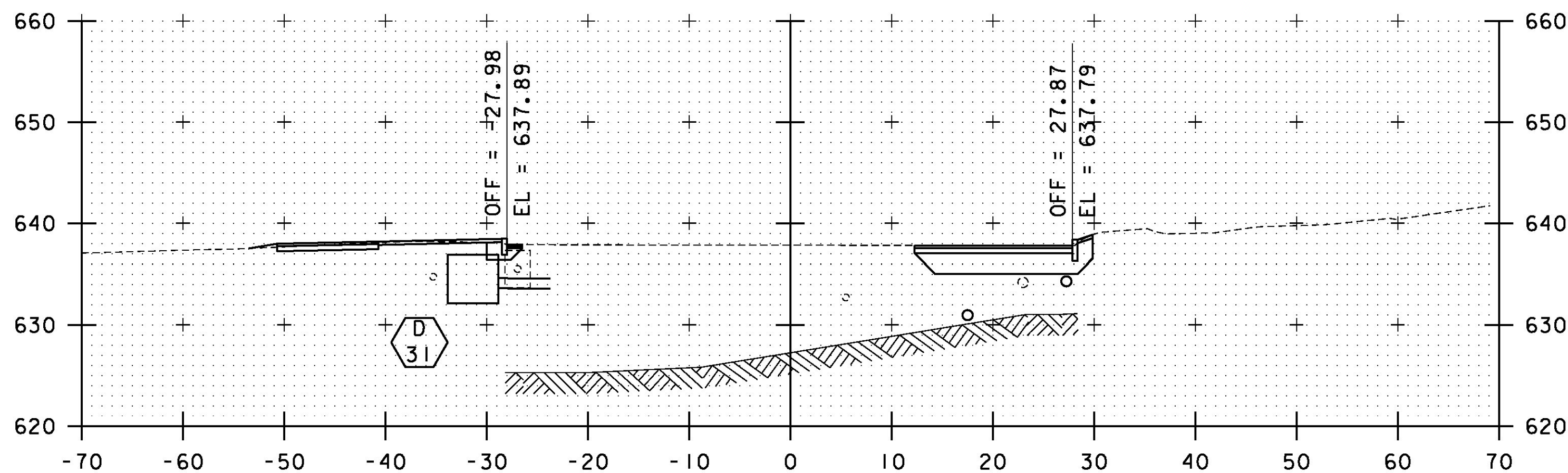
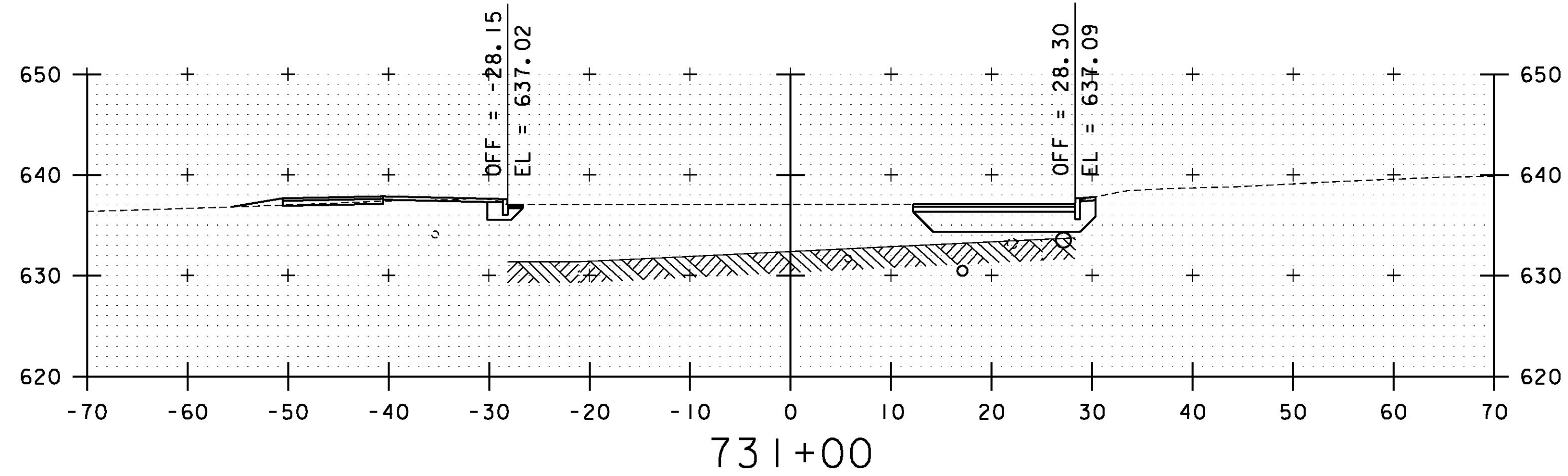


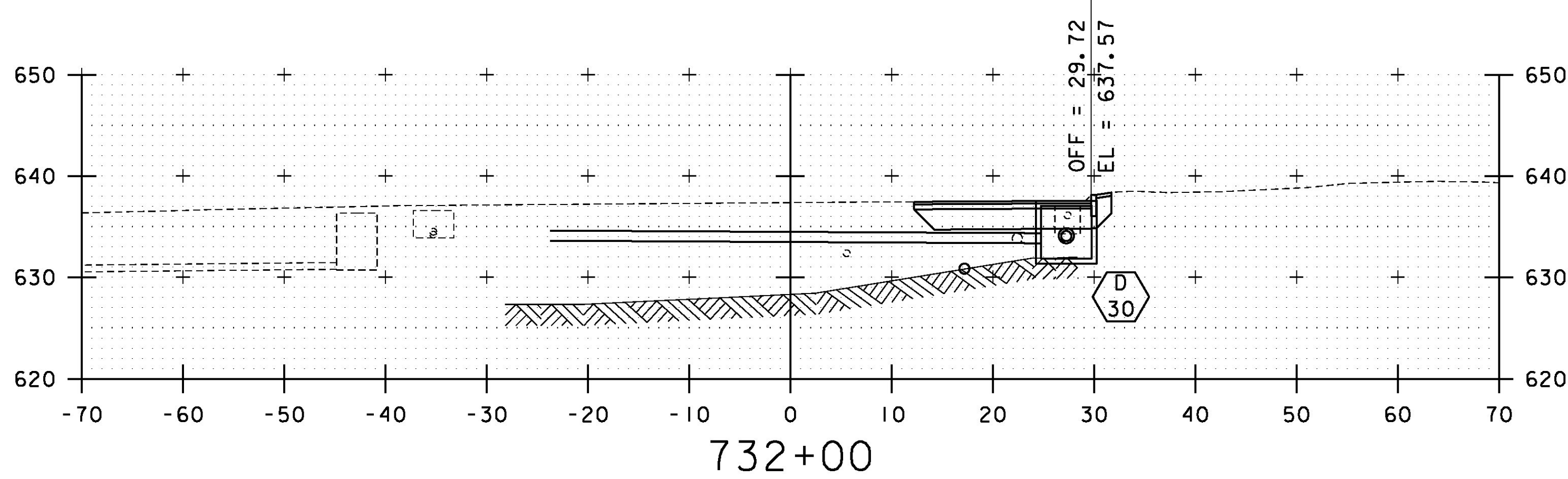
731+50



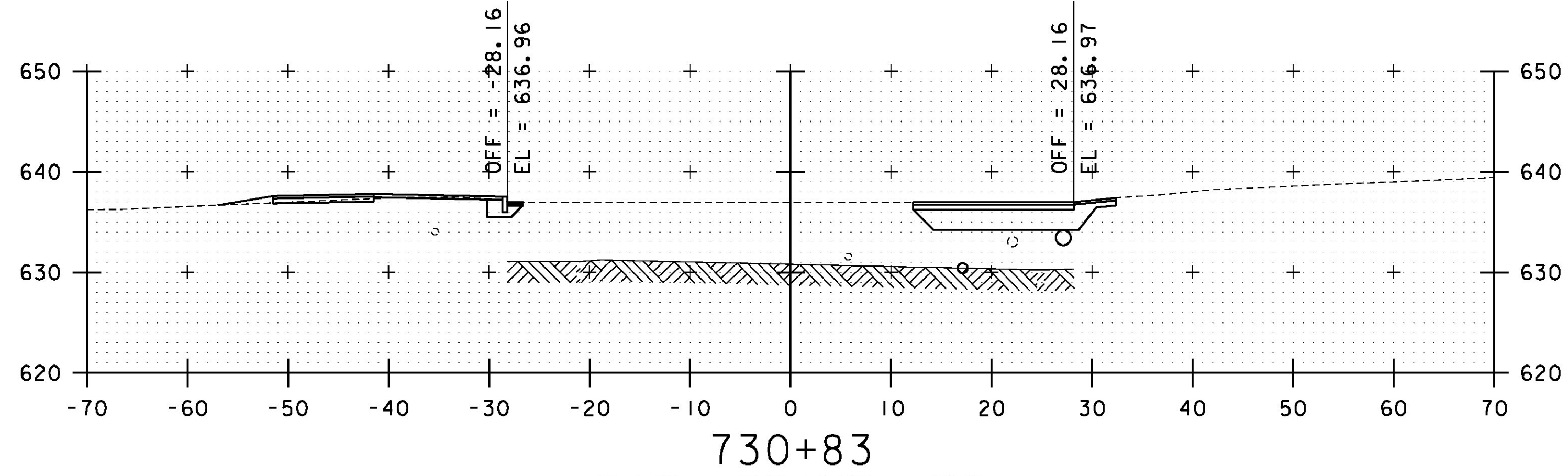
732+50



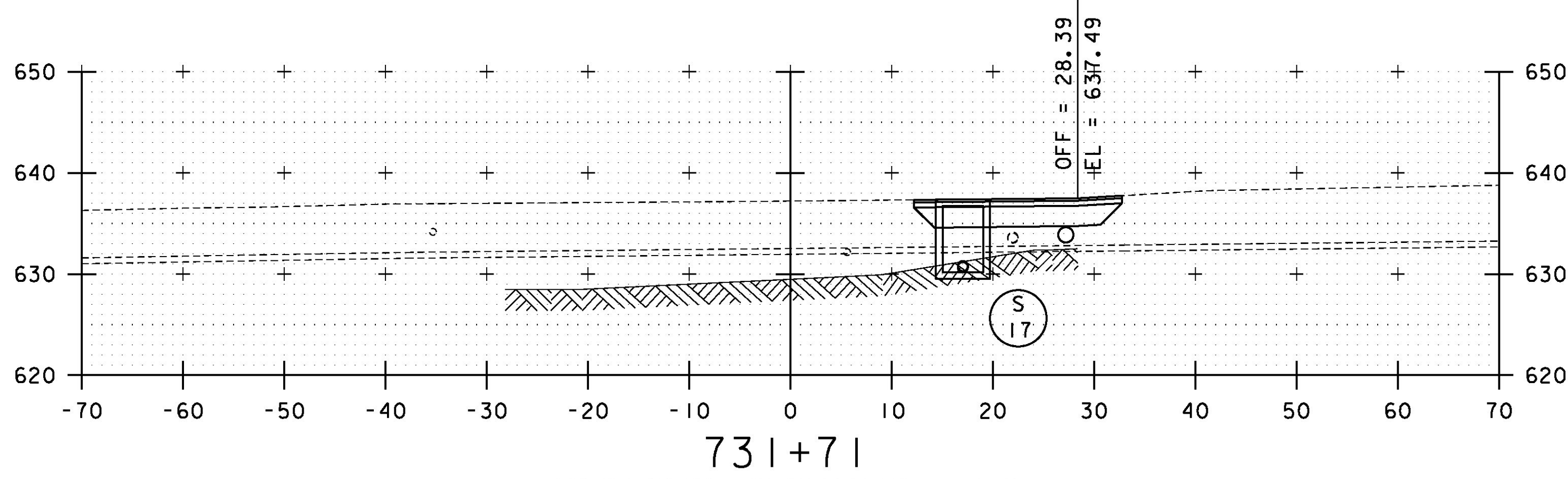
731+00



732+00



730+83
BIT. DRIVE, RT



731+71
CENTER STREET, LT
EAST CENTER STREET, RT

STA. 730+83 TO STA. 732+50

PROJECT NAME:	RUTLAND CITY
PROJECT NUMBER:	STP 019-3(57)
FILE NAME: ...\\PlotFiles\\rut_sections.dgn	PLOT DATE: 7/12/2013
PROJECT LEADER: GAE	DRAWN BY: PZA
DESIGNED BY: TFD	CHECKED BY: GAE
CROSS SECTIONS XS-15	SHEET 388 OF 392

