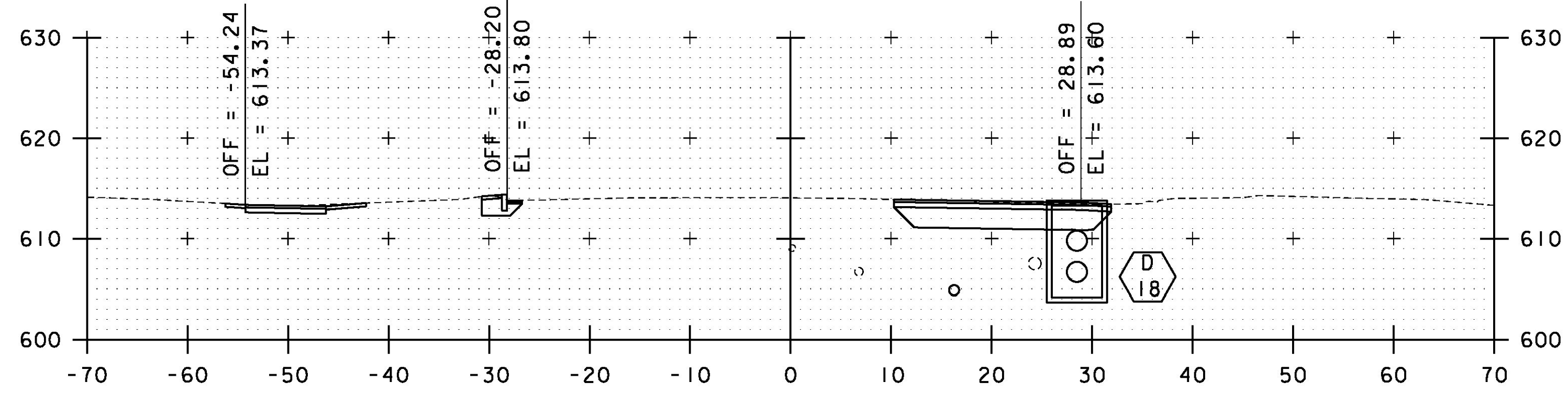
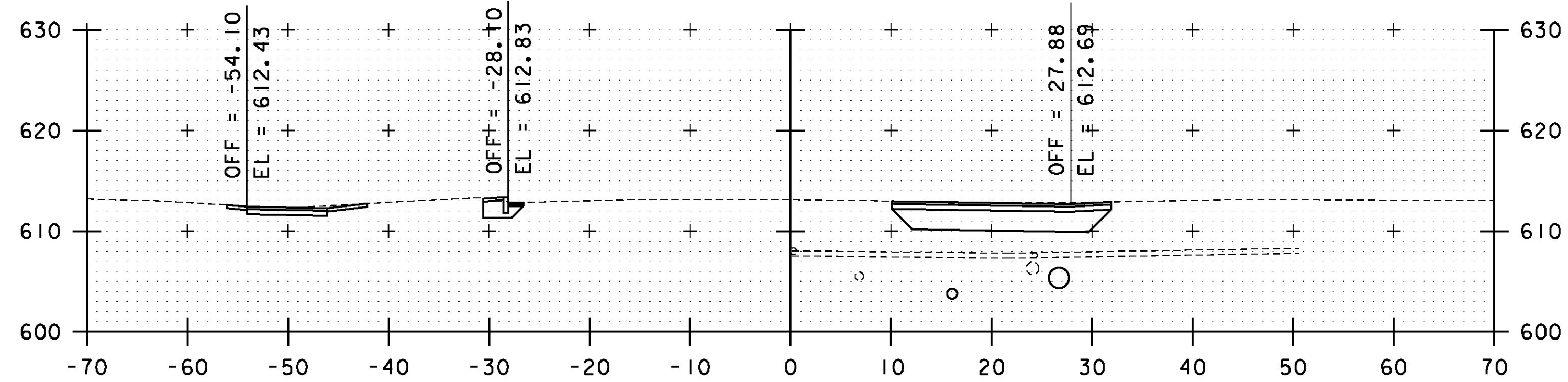


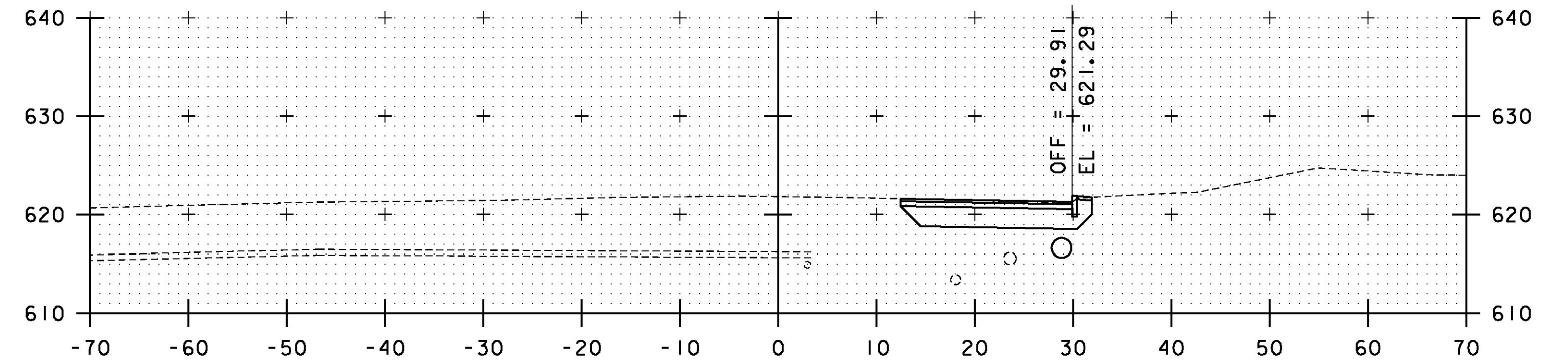
717+50
BIT. DRIVE, LT



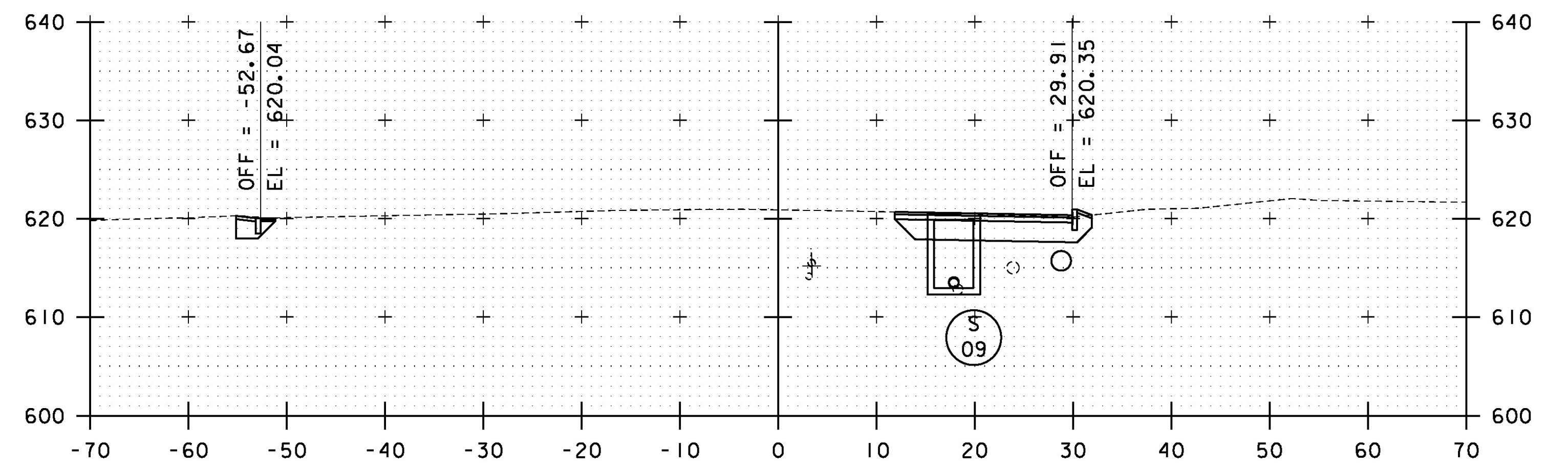
717+00



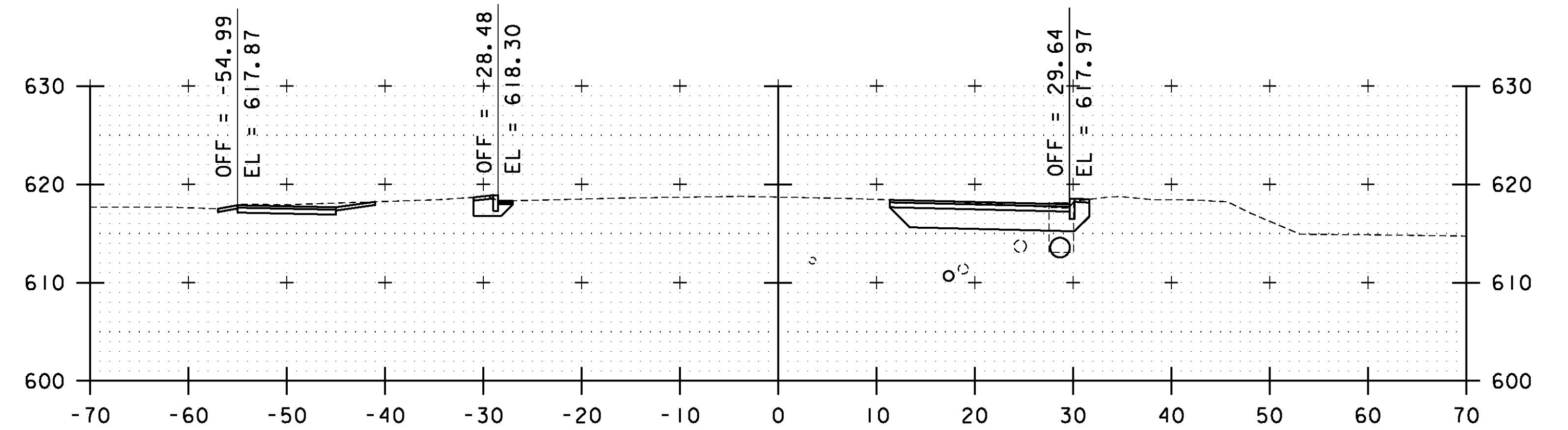
716+81
ENGREM AVE, RT



718+71
MADISON STREET, LT



718+50



718+00

STA. 716+81 TO STA. 718+71

PROJECT NAME: RUTLAND CITY
PROJECT NUMBER: STP 019-3(57)

FILE NAME: ...PlotFiles\rut_sections.dgn PLOT DATE: 7/12/2013
PROJECT LEADER: GAE DRAWN BY: PZA
DESIGNED BY: TFD CHECKED BY: GAE
CROSS SECTIONS XS-09 SHEET 382 OF 392

