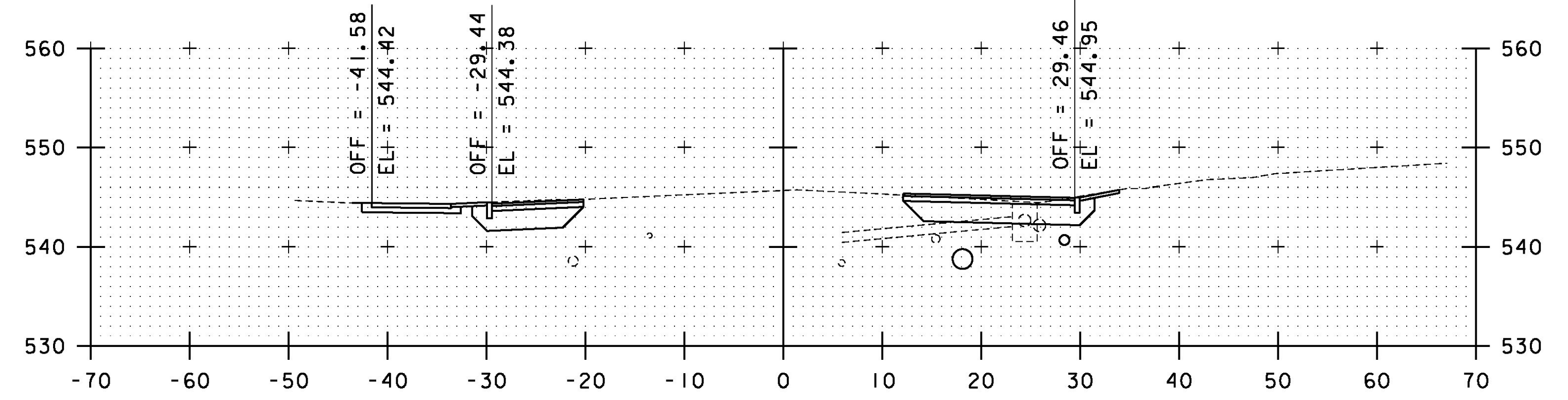
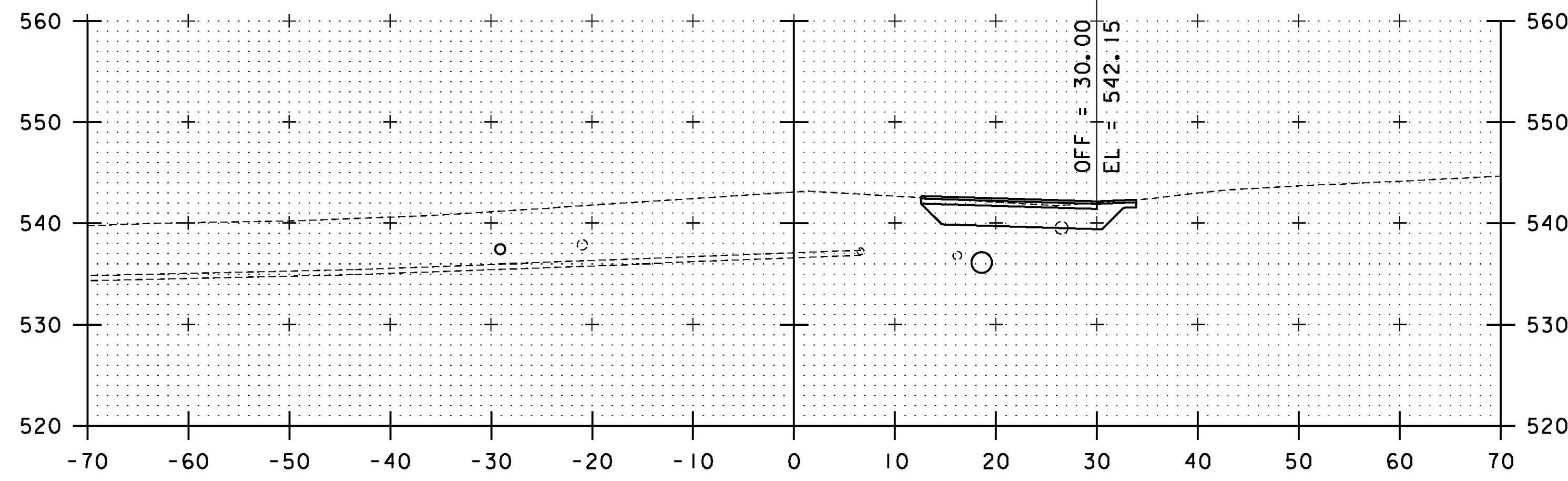
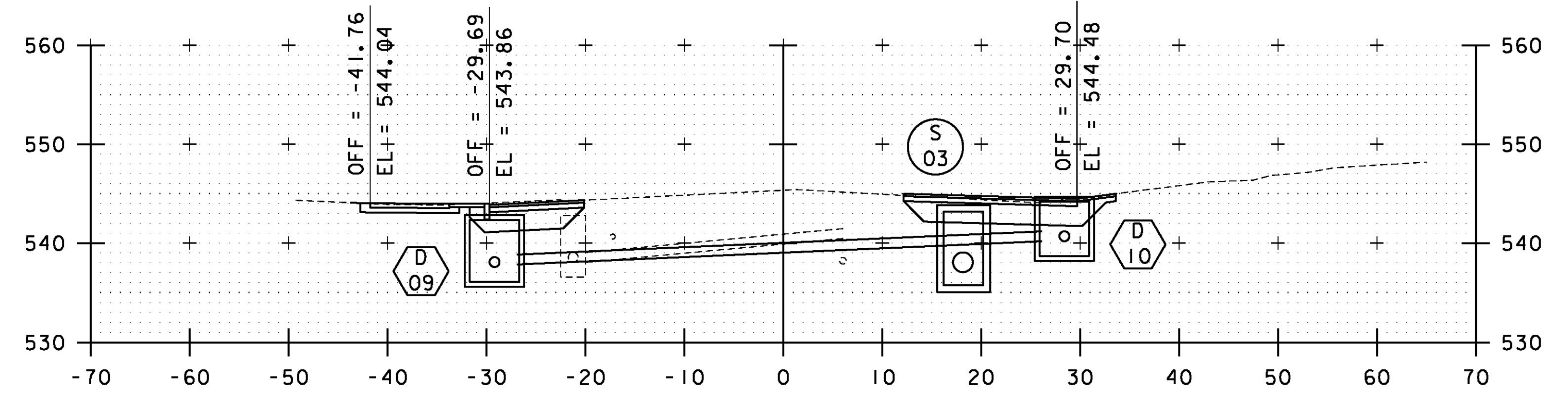
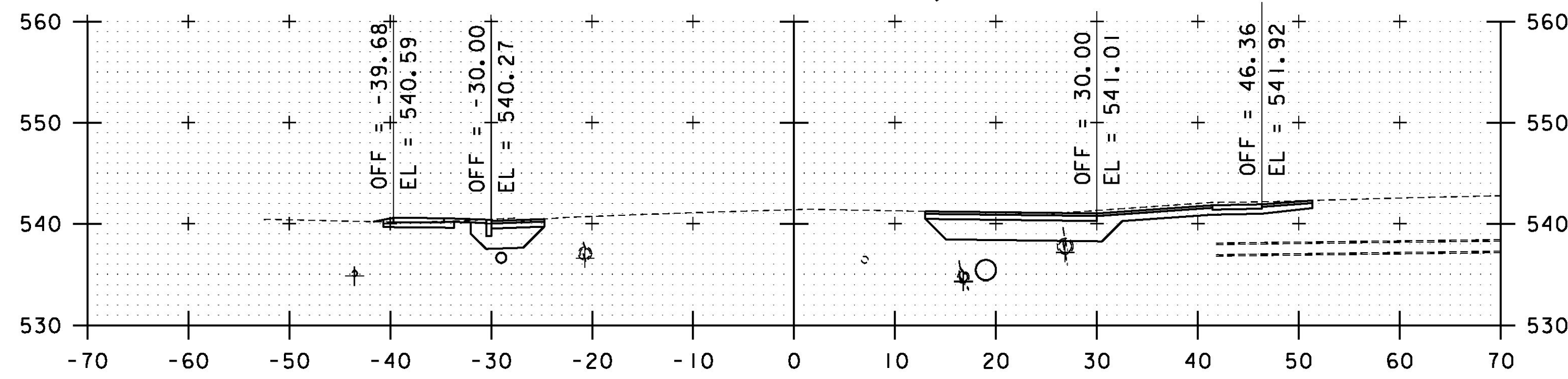


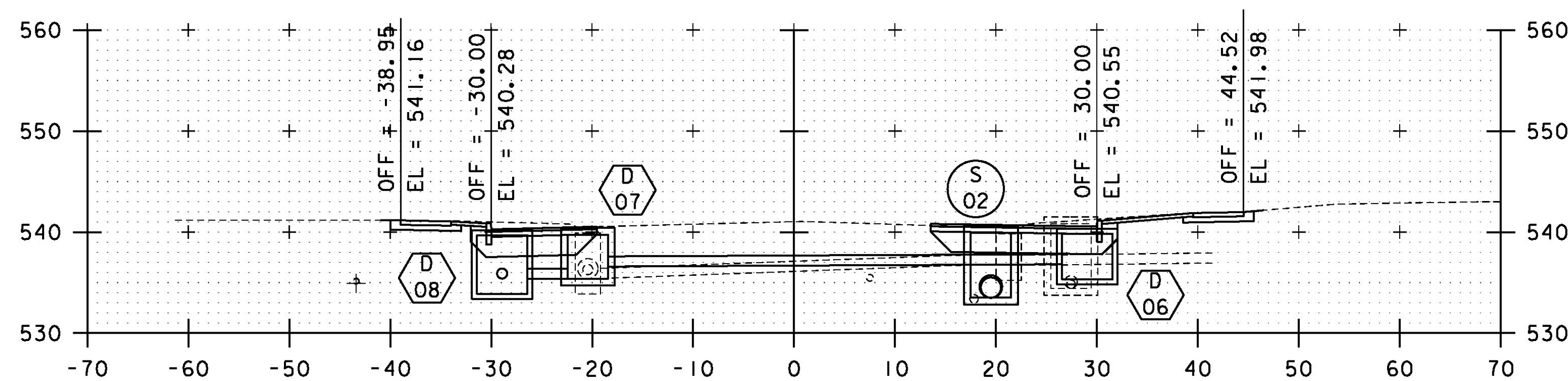
706+98.39  
BEGIN SHARED  
USE PATH



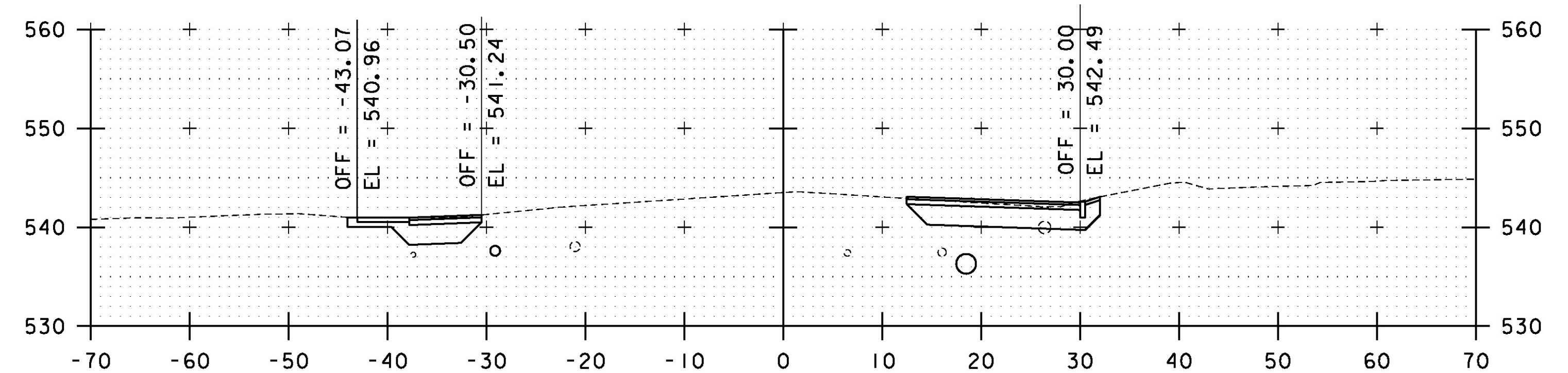
706+90  
BIT. DRIVE, RT  
CLOVER STREET, LT



706+50  
BIT. DRIVE, RT



707+42  
BIT. DRIVE, RT

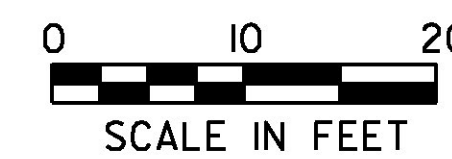


706+00

707+00

STA. 706+00 TO STA. 707+50

NOTE:  
PROPOSED CURB GUTTER ELEVATIONS ARE BASED ON INTERPOLATED FIELD SURVEY ELEVATIONS. IN THE ROADWAY WIDENING AREA, THE CURB GUTTER ELEVATIONS ARE DETERMINED BY EXTENDING A 2% CROSS SLOPE GRADE FROM THE POINT OF THE SAWCUT AT EXISTING PAVEMENT ELEVATIONS TO THE FACE OF PROPOSED CURB. THESE ELEVATIONS SHALL BE VERIFIED BY THE CONTRACTOR PRIOR TO THE PLACEMENT OF ANY CURB.



PROJECT NAME:	RUTLAND CITY	PLOT DATE:	7/12/2013
PROJECT NUMBER:	STP 019-3(57)	DRAWN BY:	PZA
FILE NAME:	...PlotFiles\rut_sections.dgn	DESIGNED BY:	TFD
PROJECT LEADER:	GAE	CHECKED BY:	GAE
<b>CROSS SECTIONS XS-03</b>		SHEET	376 OF 392