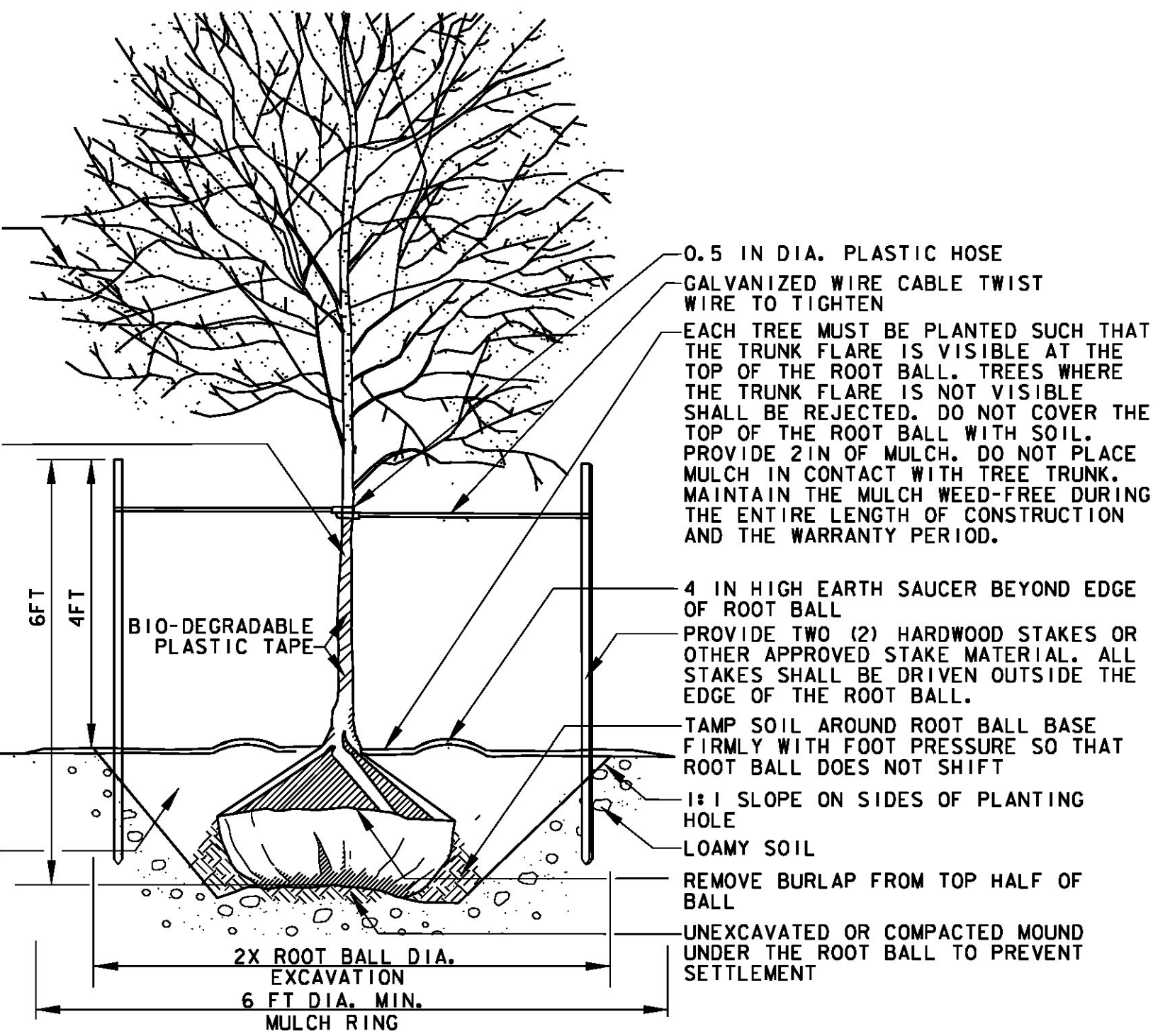


DO NOT HEAVILY PRUNE THE TREE AT PLANTING. PRUNE ONLY CROSSOVER LIMBS, CO-DOMINANT LEADERS AND BROKEN OR DEAD BRANCHES. SOME INTERIOR TWIGS AND LATERAL BRANCHES MAY BE PRUNED; HOWEVER DO NOT REMOVE THE TERMINAL BUDS OF BRANCHES THAT EXTEND TO THE EDGE OF THE CROWN.

BREATHABLE FABRIC TREE WRAP APPLIED FROM TRUNK FLARE TO FIRST BRANCH. WRAP PAPER FROM THE BOTTOM UP WITH SUFFICIENT OVERLAP TO COVER ALL BARK. WRAP TREE TRUNKS ONLY UPON THE APPROVAL OF THE RESIDENT ENGINEER.

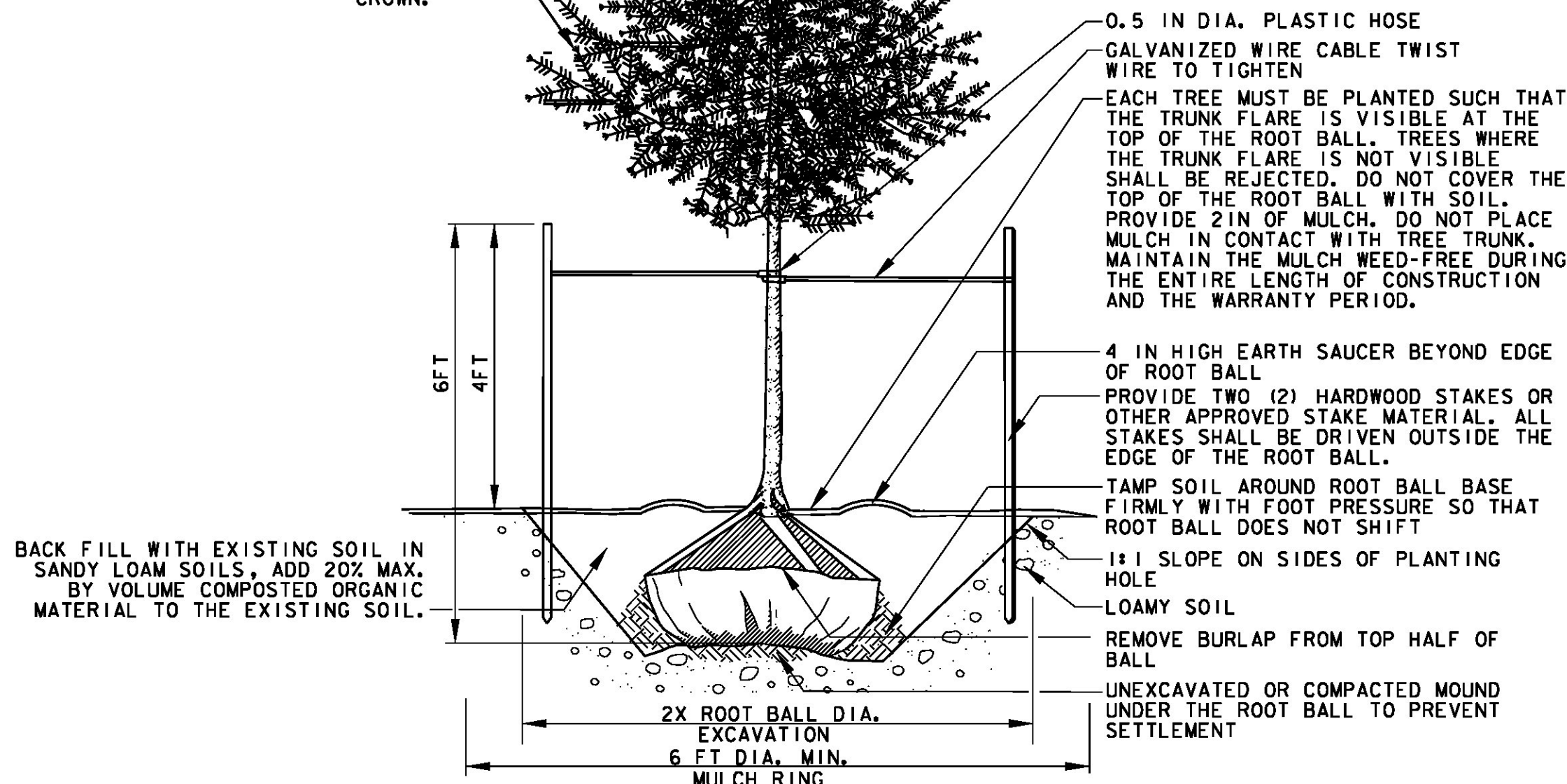
BACK FILL WITH EXISTING SOIL IN SANDY LOAM SOILS, ADD 20% MAX. BY VOLUME COMPOSTED ORGANIC MATERIAL TO THE EXISTING SOIL.



DECIDUOUS PLANTING
N. T. S.

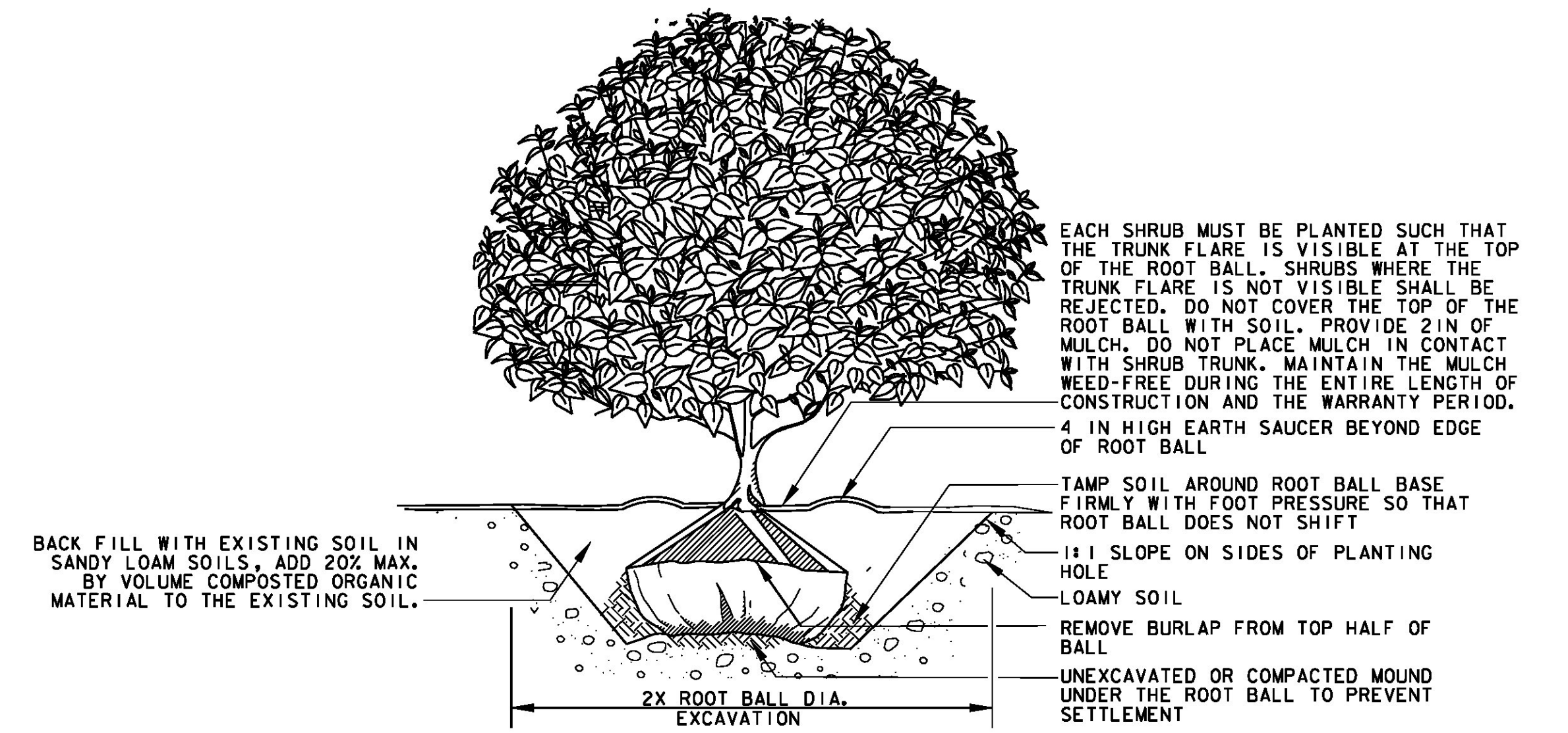
SEE GENERAL NOTES FOR PLANTING INSTRUCTIONS.

DO NOT HEAVILY PRUNE THE TREE AT PLANTING. PRUNE ONLY CROSSOVER LIMBS, CO-DOMINANT LEADERS AND BROKEN OR DEAD BRANCHES. SOME INTERIOR TWIGS AND LATERAL BRANCHES MAY BE PRUNED; HOWEVER DO NOT REMOVE THE TERMINAL BUDS OF BRANCHES THAT EXTEND TO THE EDGE OF THE CROWN.



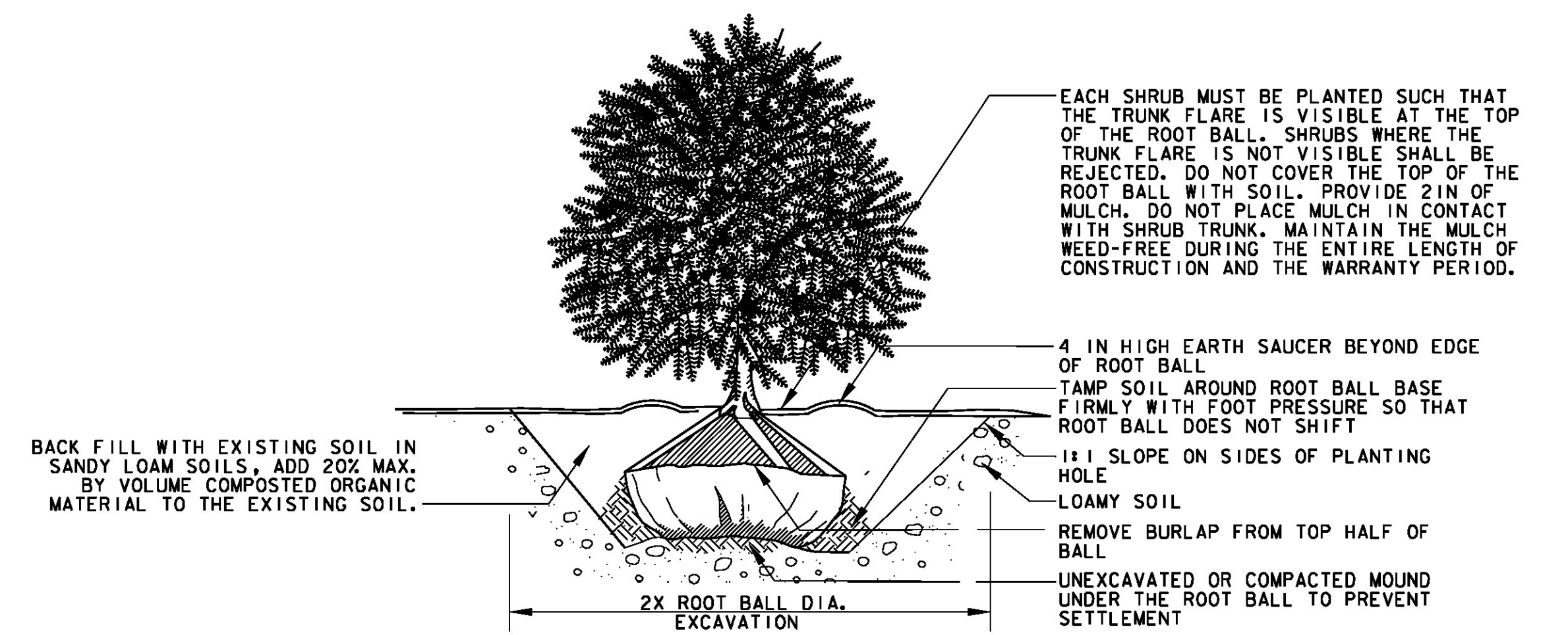
EVERGREEN PLANTING
N. T. S.

SEE GENERAL NOTES FOR PLANTING INSTRUCTIONS.



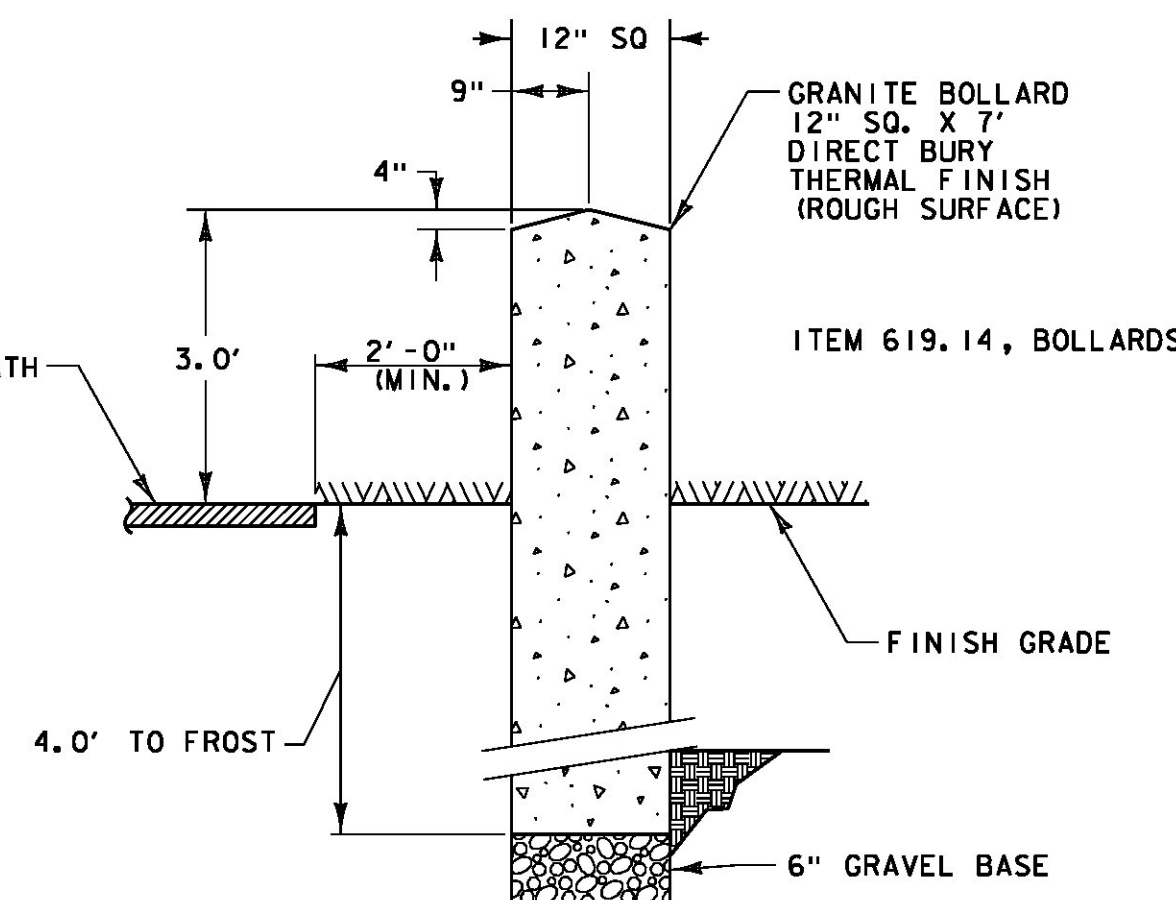
DECIDUOUS SHRUB
N. T. S.

SEE GENERAL NOTES FOR PLANTING INSTRUCTIONS.

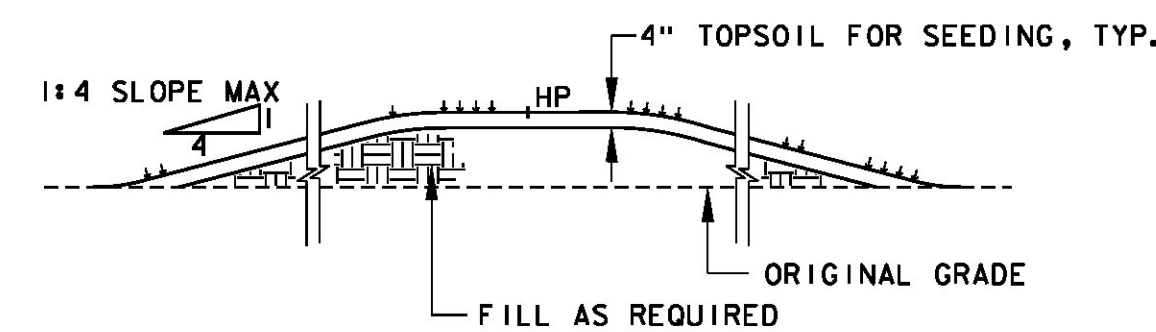


EVERGREEN SHRUB
N. T. S.

SEE GENERAL NOTES FOR PLANTING INSTRUCTIONS.



SQUARE GRANITE BOLLARD DETAIL
N. T. S.



LANDSCAPE MOUND DETAIL
N. T. S.

SEE GENERAL NOTES FOR PLANTING INSTRUCTIONS.

GENERAL NOTES:

1. PLANTING DETAILS PROVIDED ARE FROM THE INTERNATIONAL SOCIETY OF ARBORCULTURE. DETAILS ON THIS SHEET ARE PROVIDED FOR GENERAL INFORMATION ONLY. EACH TYPE OF TREE OR SHRUB SHALL BE INSTALLED PER VTRANS STANDARD SPECIFICATIONS FOR CONSTRUCTION.
2. SOILS AT THE OUTER LIMIT OF PLANTING AREAS MUST NOT BE SO COMPACTED AS TO IMPEDED ROOT GROWTH. SOILS WILL BE TESTED, AT THE DIRECTION OF THE RESIDENT ENGINEER, FOR TEXTURE, DRAINAGE CAPABILITY, PH AND NUTRIENT VALUES PRIOR TO DETERMINING ANY ADDITIONAL SOIL IMPROVEMENTS.
3. GALVANIZED WIRE OR CABLE SIZES SHALL BE AS FOLLOWS:
- TREES UP TO 2.5" CALIPER - 14 GAUGE
- TREES 2.5" CALIPER - 12 GAUGE.
4. TIGHTEN WIRE OR CABLE ONLY ENOUGH TO KEEP FROM SLIPPING. ALLOW FOR SOME TRUNK MOVEMENT. PLASTIC HOSE SHALL BE LONG ENOUGH TO ACCOMMODATE 1.5" OF GROWTH AND BUFFER ALL BRANCHES FROM THE WIRE.
5. TUCK ANY LOOSE ENDS OF THE WIRE OR CABLE INTO THE WIRE WRAP SO THAT NO SHARP WIRE ENDS ARE EXPOSED.
6. REMOVE ALL STAKING AND WIRE AS SOON AS THE TREE HAS GROWN SUFFICIENT ROOTS. STAKES SHALL BE REMOVED NO LATER THAN THE END OF THE FIRST GROWING SEASON AFTER PLANTING.
7. TREES NORMALLY DO NOT NEED TO BE STAKED AND STAKING CAN BE HARMFUL TO THE TREE. STAKING SHOULD BE DONE ONLY WITH THE APPROVAL OF THE RESIDENT ENGINEER IF IT IS EXPECTED THAT THE TREE WILL NOT BE ABLE TO SUPPORT ITSELF.
8. TREE WRAP SHOULD BE INSTALLED AT TIME OF PLANTING AND BE REMOVED WHEN DIRECTED BY THE RESIDENT ENGINEER BUT NO LATER THAN 12 MONTHS AFTER PLANTING.

PROJECT NAME: RUTLAND CITY
PROJECT NUMBER: STP 019-3(57)

FILE NAME: ...PlotFiles\rut_land_def.dgn PLOT DATE: 7/31/2013
PROJECT LEADER: GAE DRAWN BY: PZA
DESIGNED BY: TFD CHECKED BY: GAE
LANDSCAPE DETAIL LND-01 SHEET 371 OF 392

