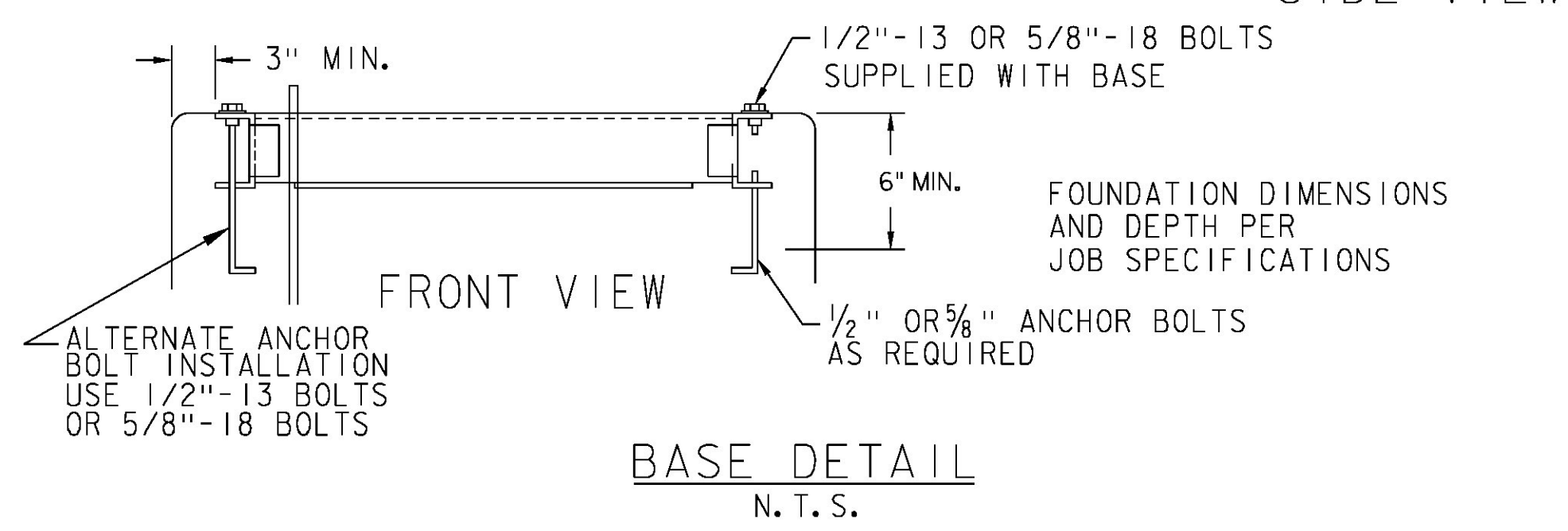
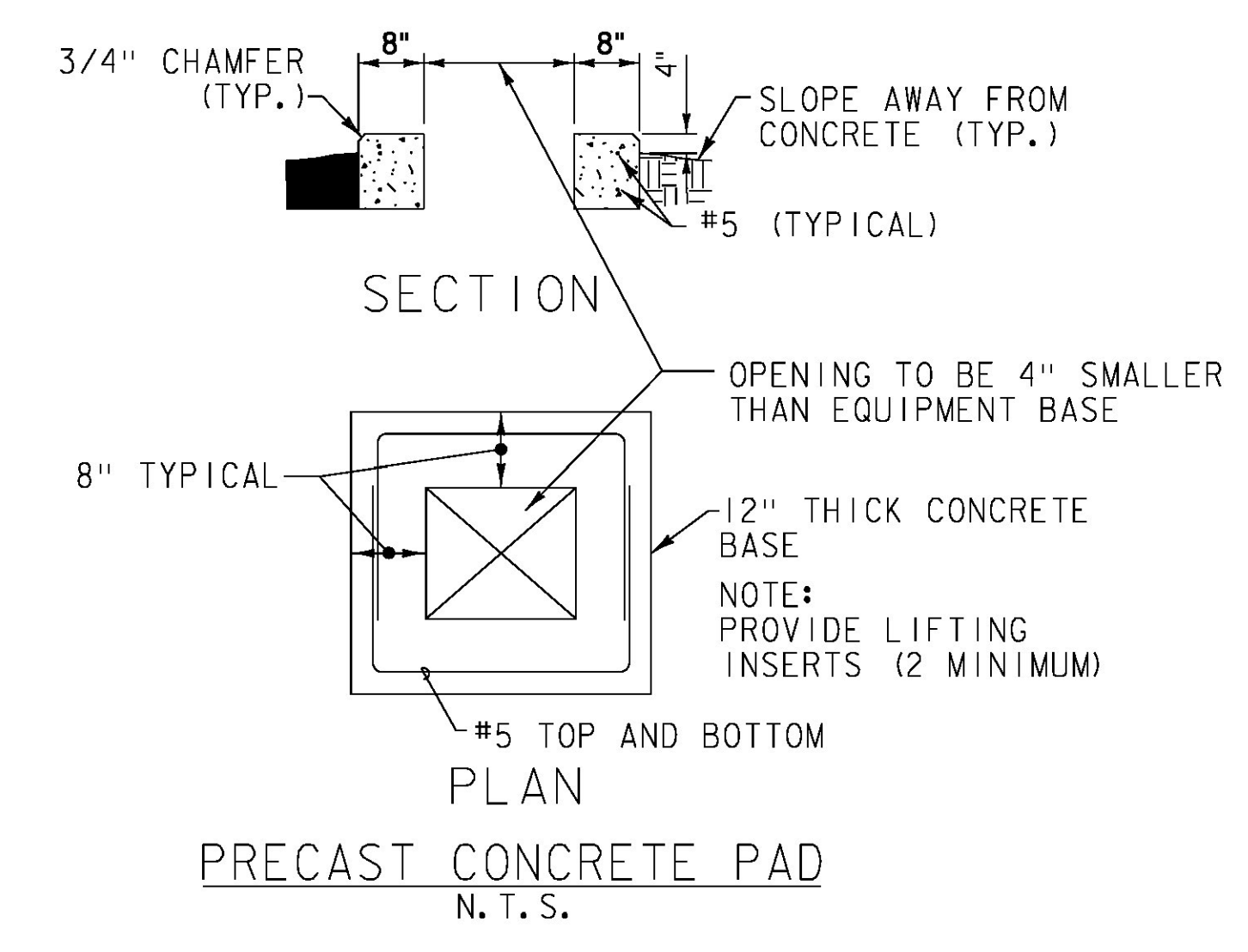
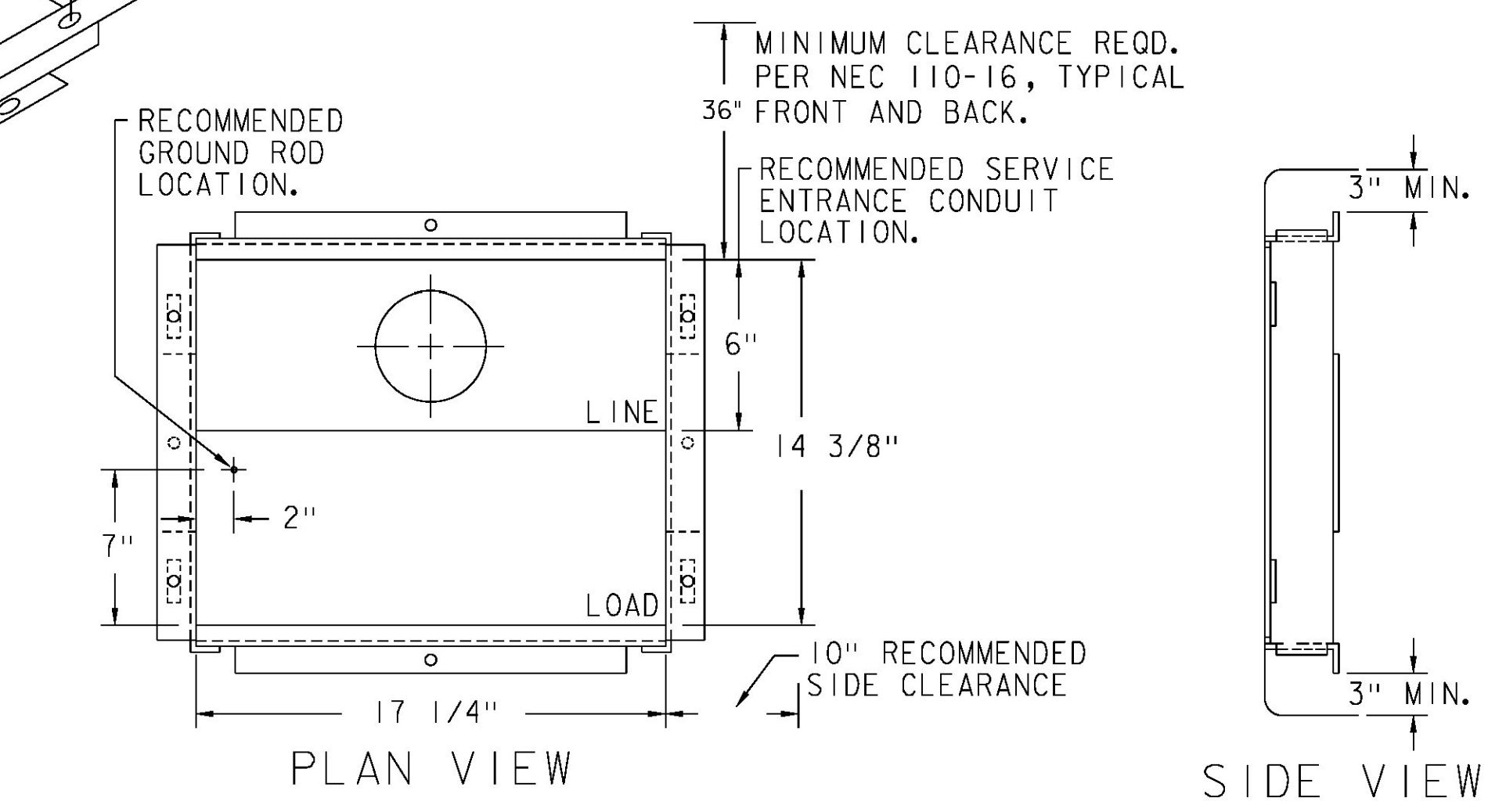
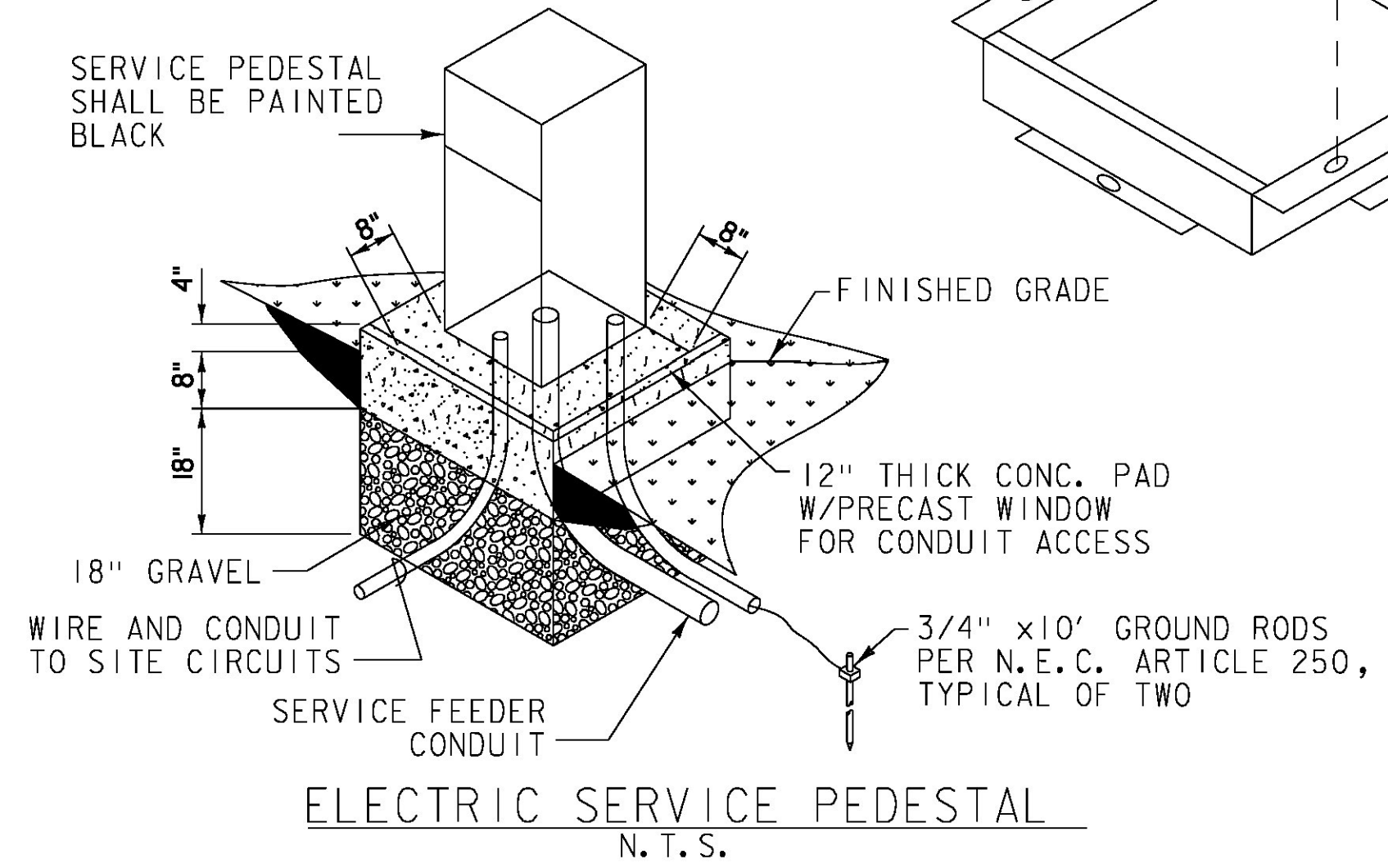


- FEATURES**
- METER SOCKET 4 JAW 100 AMPS.
  - METER SOCKET WITH TEST BLOCKS.
  - STANDARD VOLTAGE 120/240V 10 3W.
  - 18 CIRCUIT COPPER BUSSED INTERIOR.
  - MAIN BREAKER 100 AMP 22 KAIC.
  - UTILITY LANDING LUGS 100 AMPS.
  - UTILITY TEST SECTION.
  - ALL FACTORY WIRING IS 600 VOLT RATED COPPER.
  - HINGED DOOR & DEADFRONT.
  - (1) 4 POLE DEFINITE PURPOSE CONTACTOR
  - (1) TIME CLOCK

- FEATURES**
- (1) PHOTO ELECTRIC CONTROL
  - (1) ON/OFF/ AUTO SWITCH SEE LIGHTING CONTACTOR SCHEMATIC DIAGRAM
  - (2) 12 POLE TERMINAL BLOCK FOR CONNECTION TO UNDERGROUND CONDUCTORS
  - ALUMINUM CABINETS.
  - 1 P.E. CELL, 1 TEST SWITCH, 1 LIGHTING RELAY, AND 1 TIME CLOCK.

- SPECIFICATIONS**
- 12 GAUGE ZINC COATED ALUMINUM CONSTRUCTION. HOOD AND COVERS 14 GAUGE.
  - RAINPROOF TYPE 3R ENCLOSURE.
  - BLACK POWDER COAT FINISH IN ACCORDANCE WITH ASTM B-117.
  - MEETS EUSERC 308 REQUIREMENTS.
  - 18 CIRCUIT COPPER BUSSED INTERIOR WILL ACCEPT BOLT-ON BREAKERS (BRYANT, GE, WESTINGHOUSE, ITE, CROUSE-HINDS/MURRAY, OR APPROVED EQUAL).
  - VANDAL-RESISTANT ENCLOSURE HAS SIDE-HINGED DOOR AND DEADFRONT FOR EASY INSTALLATION AND MAINTENANCE.
  - SUITABLE FOR USE WITHOUT MAIN WHEN NO MORE THAN SIX SERVICE DISCONNECTS ARE INSTALLED AND USED IN ACCORDANCE WITH ARTICLE 384 OF THE NEC.
  - LISTED BY UNDERWRITERS LABORATORIES, INC.
  - PAD MOUNT BASE FOR CONCRETE FOUNDATION.



PROJECT NAME: RUTLAND CITY	PLOT DATE: 7/12/2013
PROJECT NUMBER: STP 019-3(57)	DRAWN BY: PZA
FILE NAME: ...PlotFiles\rut_lgt_det.dgn	CHECKED BY: GAE
DESIGNED BY: TFD	PROJECT LEADER: GAE
<b>LIGHTING DETAIL LGD-04</b>	SHEET 364 OF 392