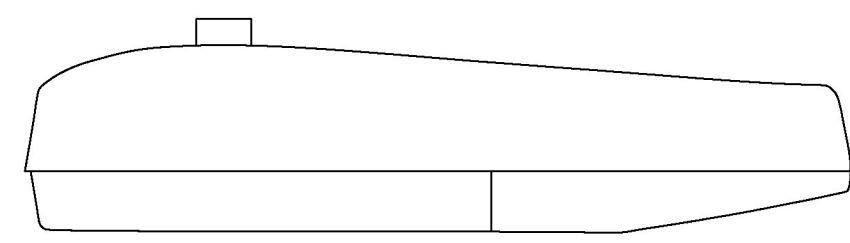


LUMINAIRE:
BetaLED: STR-LWY-HT
HOUSING: ALUMINUM

LAMP:
TYPE: 120 LED
(525mA, 4300K)

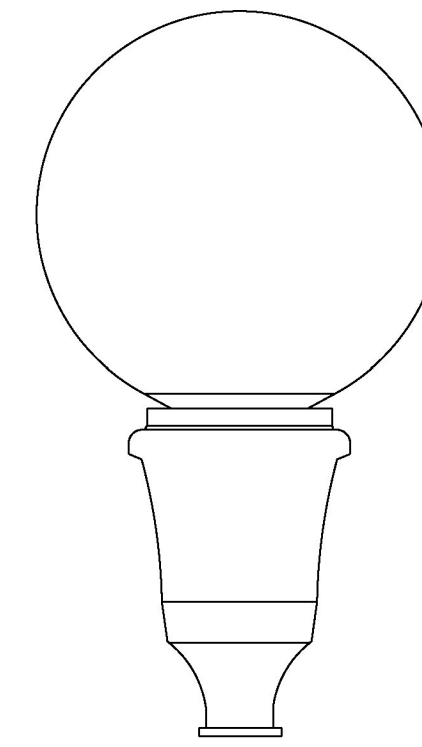
ANSI/IES TYPE:
TYPE II MEDIUM CUT-OFF OPTICS



LUMINAIRE:
LENS FINISH: CLEAR FLAT GLASS
HOUSING: ALUMINUM

LAMP:
TYPE: LED
MIN. 2946 LUMENS
G SHALL =1 FOR BUG RATING

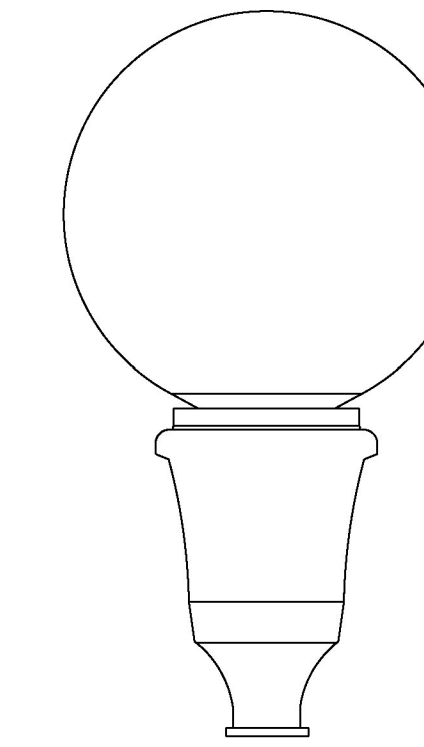
ANSI/IES TYPE:
TYPE V MEDIUM OPTICS



LUMINAIRE:
LENS FINISH: CLEAR FLAT GLASS
HOUSING: ALUMINUM

LAMP:
TYPE: LED
MIN. 2946 LUMENS
G SHALL =1 FOR BUG RATING

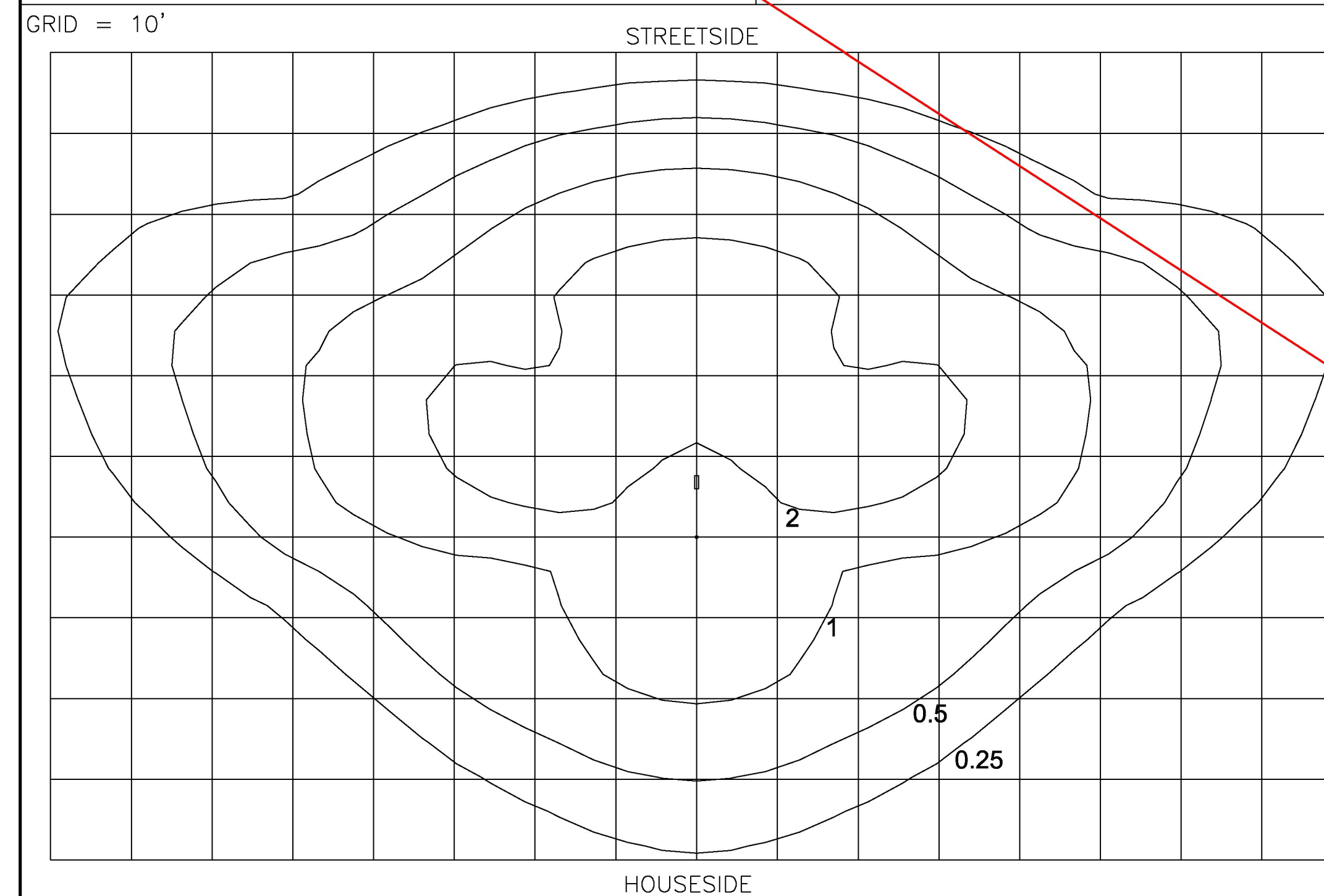
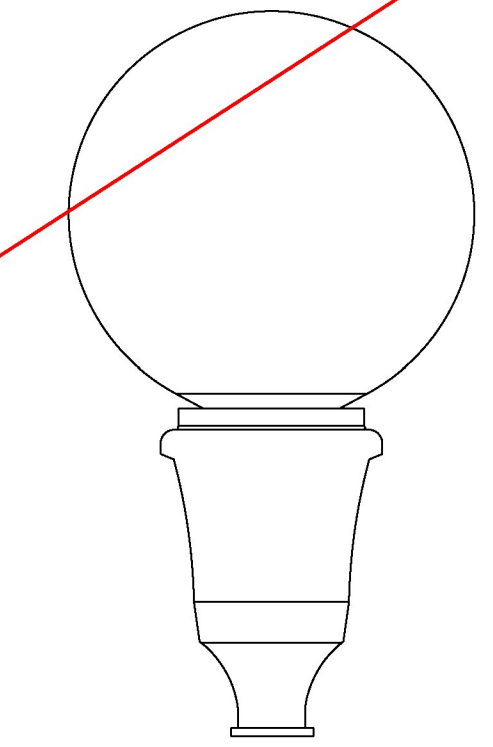
ANSI/IES TYPE:
TYPE V MEDIUM OPTICS



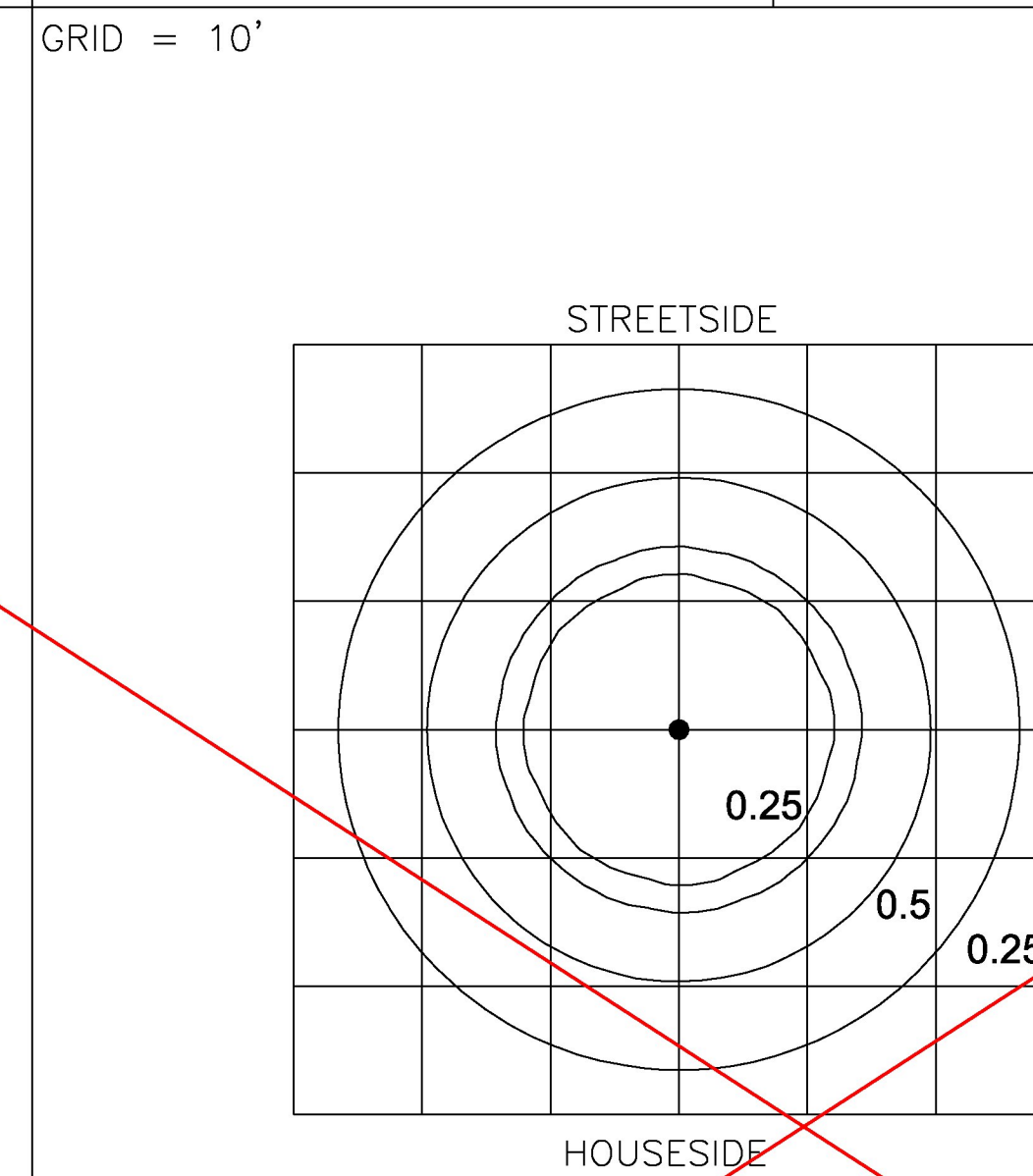
LUMINAIRE:
LENS FINISH: CLEAR FLAT GLASS
HOUSING: ALUMINUM

LAMP:
TYPE: LED, TYPICAL OF 4
MIN. 2946 LUMENS
G SHALL =1 FOR BUG RATING

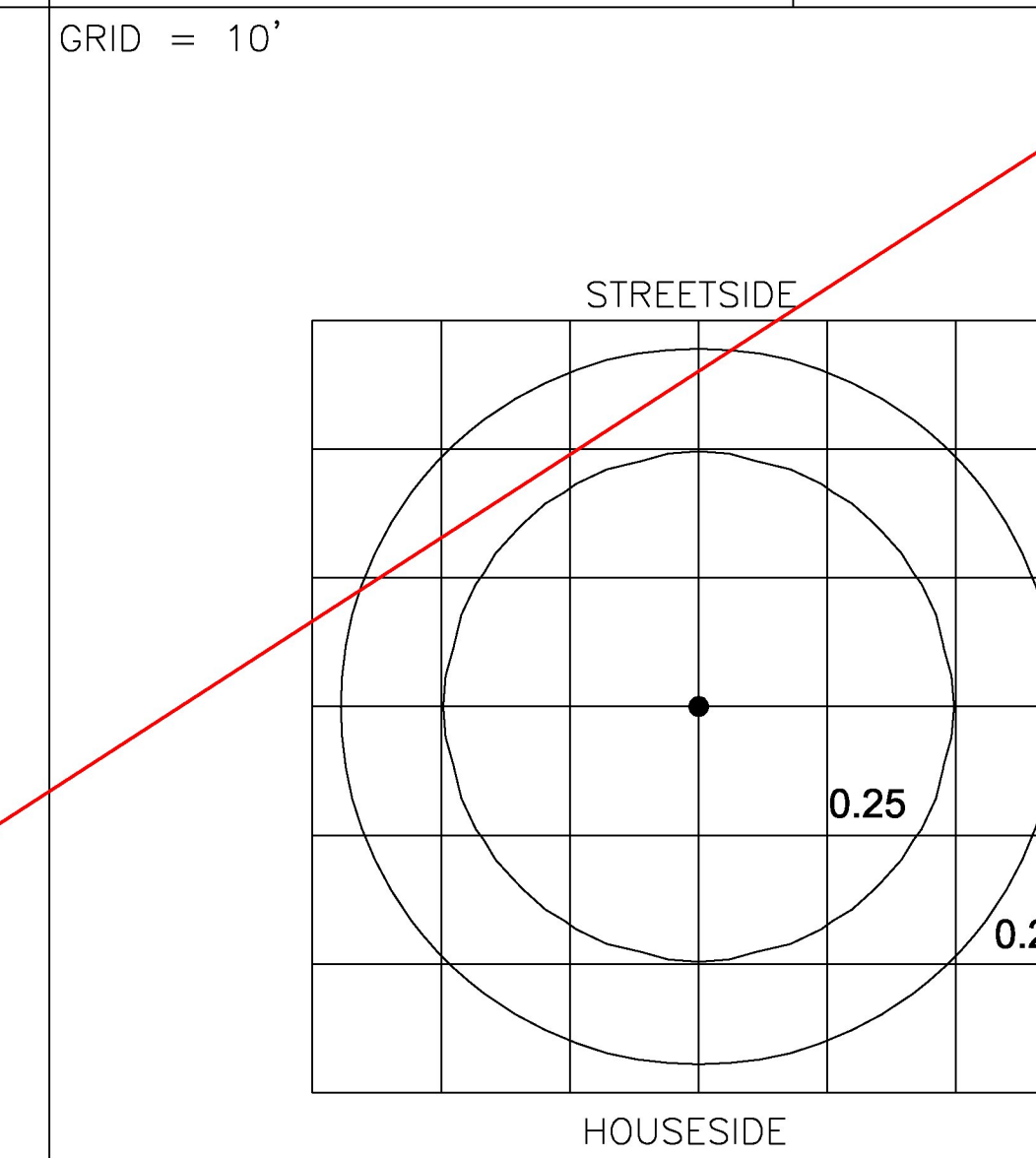
ANSI/IES TYPE:
TYPE V MEDIUM OPTICS



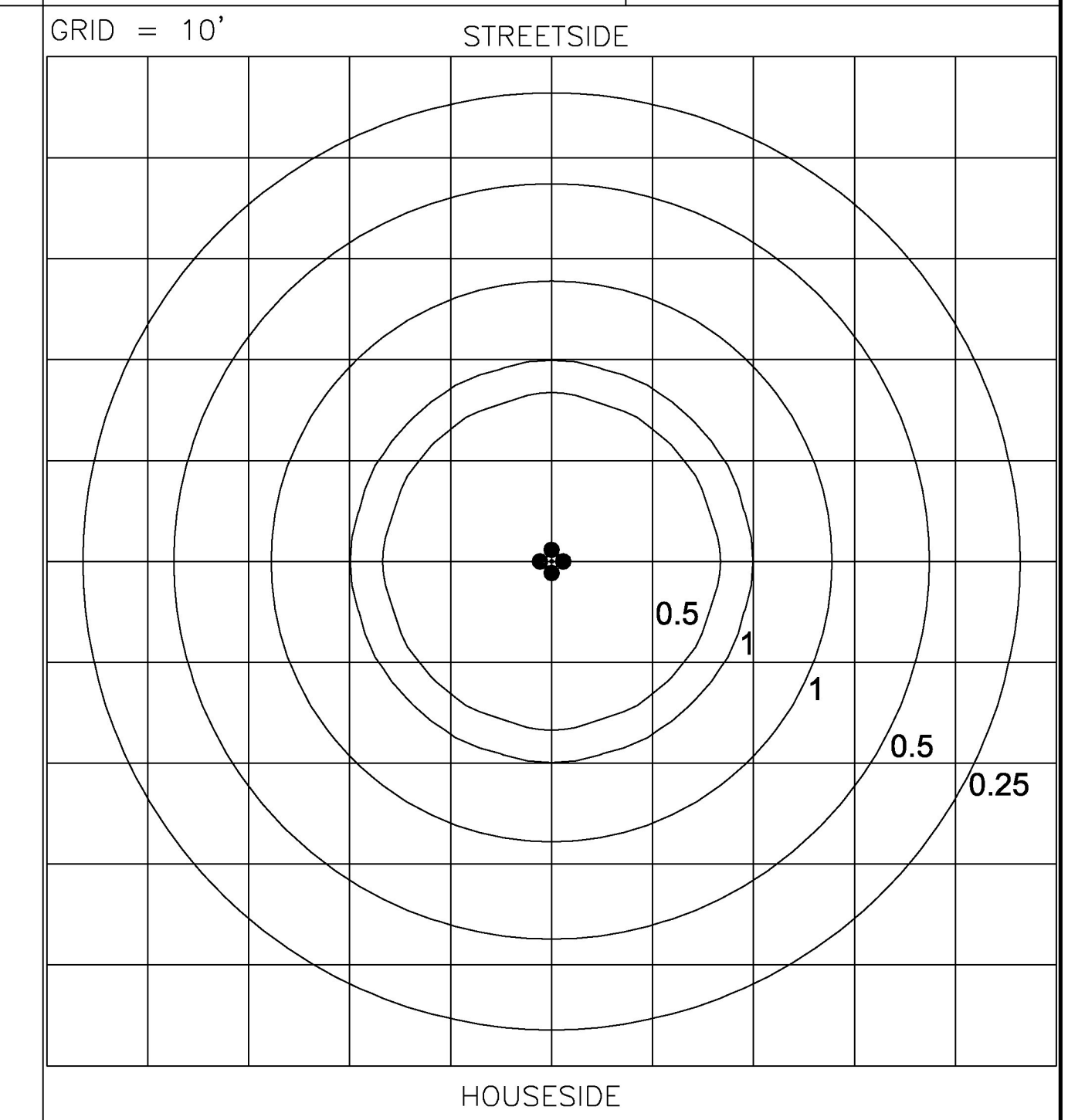
COBRAHEAD FIXTURE
ISO-FOOTCANDLE DATA
NO SCALE



FIXTURE TYPE 'A'
ISO-FOOTCANDLE DATA
NO SCALE



FIXTURE TYPE 'B'
ISO-FOOTCANDLE DATA
NO SCALE



FIXTURE TYPE 'C'
ISO-FOOTCANDLE DATA
NO SCALE

PANEL No. P

BUS 125A
PANEL RATING 10 KAIC
SUPPLY VOLTAGE 120/240V
SERVICE 1 PHASE, 3 WIRE

LOCATION PEDESTAL
MOUNTING PEDESTAL
DRAWING No.

WIRING	COND	DESCRIPTION	VA OR W	BREAKER	CKT	BUS	CKT	BREAKER	VA OR W	DESCRIPTION	COND	WIRING	
WIRE			ØA	ØB	POLE	A	NO	POLE	ØA	ØB		WIRE	
SEE PLAN	///	SITE FIXTURES	465	2	20	1	x	2	20	315	///	SEE PLAN	
///	///	SL-1,4,6,8,10,13,15,17,20,22,24	465	2	20	3	x	2	20	315	///	///	
SEE PLAN	///	SITE FIXTURES	465	2	20	5	x	6	20	315	///	///	
///	///	SL-3,5,7,9,11,12,16,19,21,23	465	2	20	7	x	8	20	315	///	///	
SEE PLAN	///	SITE FIXTURES	450	2	30	9	x	10	30	2304	///	///	
///	///	GATEWAY	450	2	30	11	x	12	30	2304	///	///	
SEE PLAN	///	SITE FIXTURES	450	2	30	13	x	14	30	2304	///	///	
///	///	GATEWAY	450	2	30	15	x	16	30	2304	///	///	
SEE PLAN	///	LTS - BEACON	500	2	30	17	x	18	30	2304	///	///	
///	///					19	x	20			///	///	
///	///					21	x	22			///	///	
///	///					23	x	24			///	///	
TOTAL 1			2330			TOTAL 2		7542		7542			
TOTAL 2			7542			TOTAL 1 + 2		9872		9372			
CONN. LOAD TOTAL			19244			MAIN BREAKER		100A					
AMPERES			80			FEEDER ENTRANCE		BOTTOM					
						FEEDER SIZE		SEE PLAN					
						SOURCE		UTILITY POLE					
						PANEL TYPE		PLUG-IN					
						MAIN LUGS		N/A					
						ENCLOSURE TYPE		NEMA 3R					
						ACCESSORIES							

PANEL No. SPB

BUS 100A
PANEL RATING 10 KAIC
SUPPLY VOLTAGE 120/240V
SERVICE 1 PHASE, 3 WIRE

LOCATION PEDESTAL
MOUNTING PEDESTAL
DRAWING No.

WIRING	COND	DESCRIPTION	VA OR W	BREAKER	CKT	BUS	CKT	BREAKER	VA OR W	DESCRIPTION	COND	WIRING	
WIRE			ØA	ØB	POLE	A	NO	POLE	ØA	ØB		WIRE	
SEE PLAN	///	SITE FIXTURES	9600	2	20	1	x	2	20	9600	///	///	
///	///	PANEL - STAGE	9600	2	20	3	x	4	20	9600	///	///	
SEE PLAN	///	SITE FIXTURES	9600	2	20	5	x	6	20	9600	///	///	
///	///					7	x	8			///	///	
///	///					9	x	10			///	///	
///	///					11	x	12			///	///	
///	///					13	x	14			///	///	
///	///					15	x	16			///	///	
///	///					17	x	18			///	///	
///	///					19	x	20			///	///	
///	///					21	x	22			///	///	
///	///					23	x	24			///	///	
TOTAL 1			9600			TOTAL 2		9600		9600			
TOTAL 2			9600			TOTAL 1 + 2		19200		19200			
CONN. LOAD TOTAL			19200			MAIN BREAKER		100A					
AMPERES			80			FEEDER ENTRANCE		BOTTOM					
						FEEDER SIZE		SEE PLAN					
						SOURCE		UTILITY POLE					
						PANEL TYPE		PLUG-IN					
						MAIN LUGS		N/A					
						ENCLOSURE TYPE		NEMA 3R					
						ACCESSORIES							

SEE REVISED SHEET 363A



PROJECT NAME: RUTLAND CITY
PROJECT NUMBER: STP 019-3(57)

FILE NAME: ...PlotFiles\rut_lgt_def.dgn PLOT DATE: 7/12/2013
PROJECT LEADER: GAE DRAWN BY: PZA
DESIGNED BY: TFD CHECKED BY: GAE
LIGHTING DETAIL LGD-03 SHEET 363 OF 392