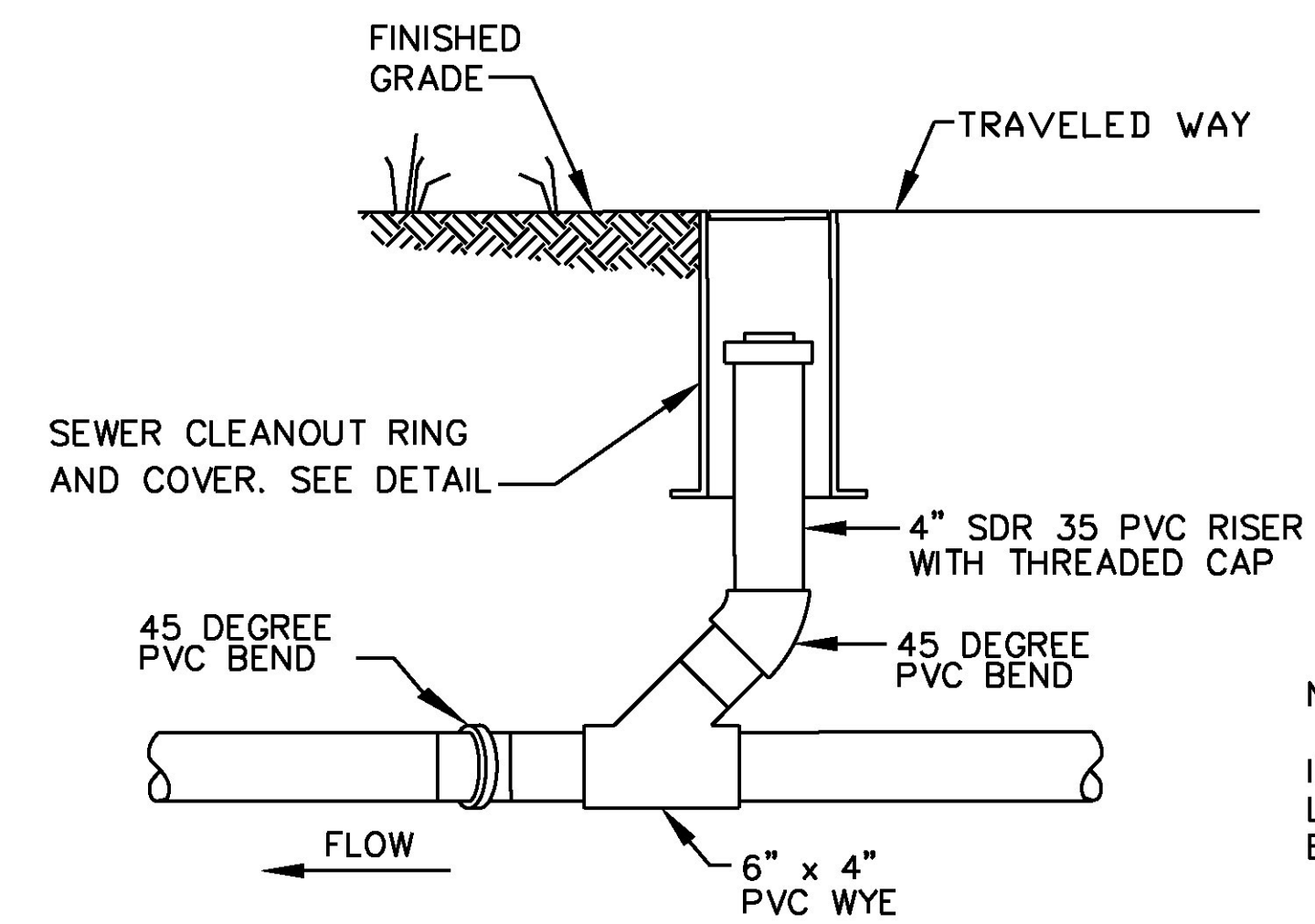


SEWER SERVICE DETAIL

NOT TO SCALE

PAYMENT FOR ALL FITTINGS INCLUDING PVC WYE AND FLEXIBLE RUBBER COUPLING SHALL BE CONSIDERED INCIDENTAL TO ITEM 900.640 SPECIAL PROVISION (PVC SEWER PIPE).



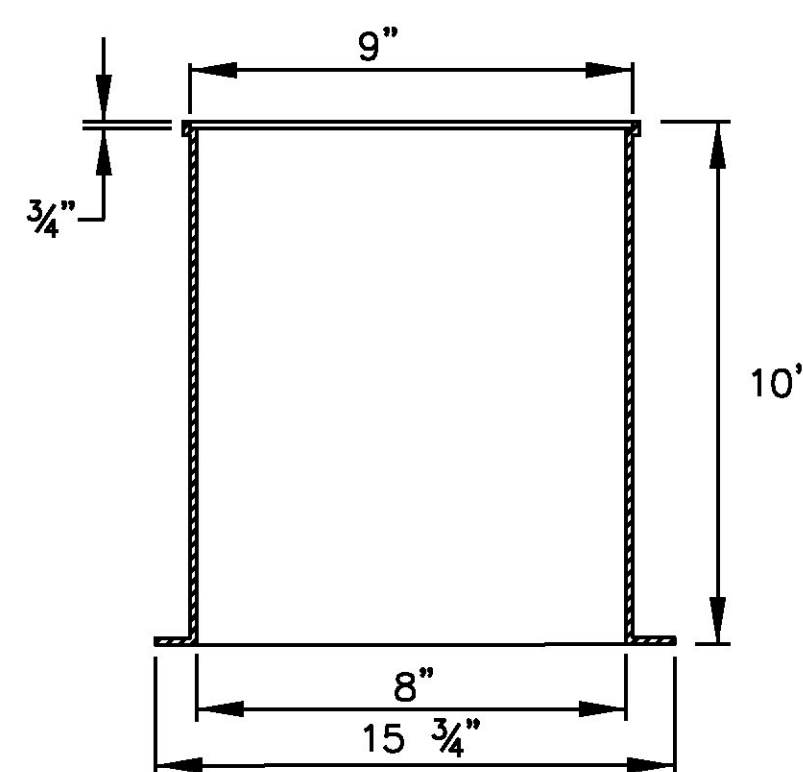
CLEANOUT DETAIL

NOT TO SCALE

NOTE:
INSTALL CLEANOUT AT LOCATIONS AS ORDERED BY THE ENGINEER.



COVER PLATE

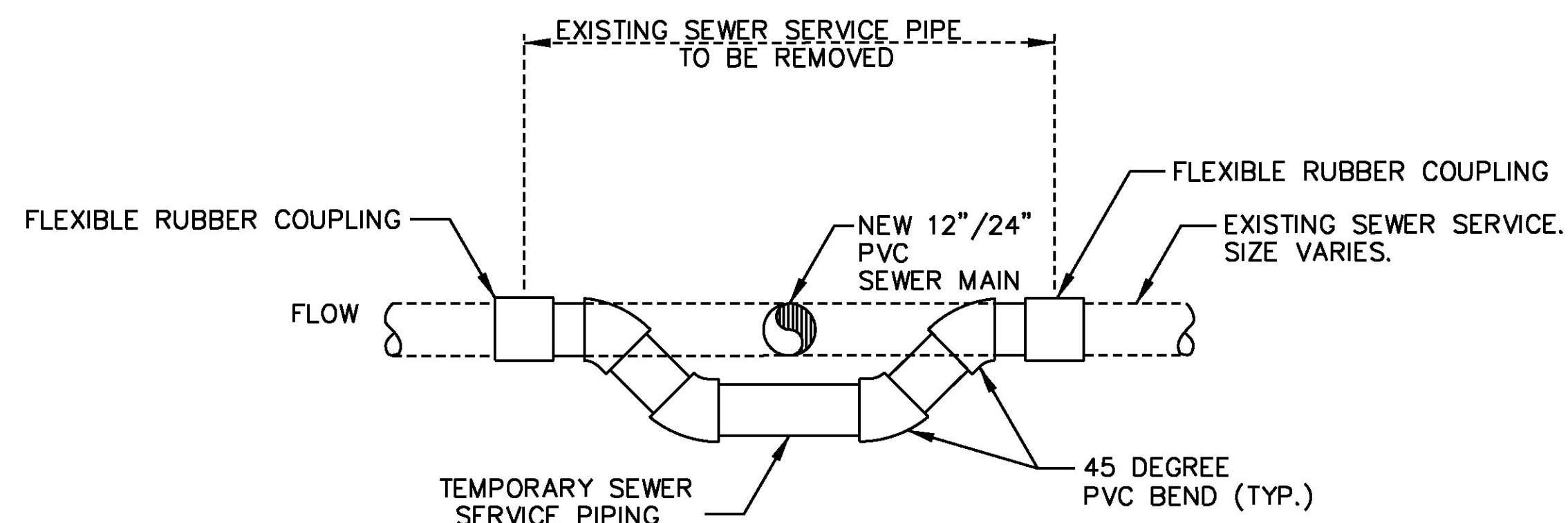


FRAME SECTION

SEWER CLEANOUT COVER PLATE

DETAIL

NOT TO SCALE



NOTES:

1. IF POSSIBLE, TEMPORARY SEWER SERVICE PIPING TO PASS ABOVE NEW SEWER MAIN.
2. PAYMENT FOR TEMPORARY SEWER SERVICE PIPING IS TO BE INCIDENTAL TO ITEM 900.645 SPECIAL PROVISION (TRANSFER TO NEW SYSTEM, SANITARY SEWER).

DETAIL - TEMPORARY SERVICE PIPING

AT NEW/EXISTING SEWER CONFLICT

NOT TO SCALE

GENERAL SANITARY SEWER CONSTRUCTION NOTES:

1. ALL LATERAL SANITARY SEWER SERVICE CONNECTIONS ARE APPROXIMATE AS DEPICTED ON THE PLANS. CONTRACTOR SHALL PERFORM EXPLORATORY EXCAVATION PER DIRECTION OF THE ENGINEER ON EACH LATERAL SERVICE AT THE CURB LINE FOR THE EXISTING SEWER SERVICES LOCATED ON THE EASTERLY SIDE OF MAIN STREET AND AT THE LIMITS OF EXCAVATION FOR THE NEW 12"/24" SEWER MAIN FOR EXISTING SEWER SERVICES LOCATED ON THE WESTERLY SIDE OF MAIN STREET. THE EXPLORATORY EXCAVATION SHALL CONFIRM EXISTING PIPE SIZE, MATERIAL, EXACT LOCATION, INVERT, AND ACTIVE/ABANDONED STATUS. PAYMENT FOR EXPLORATORY EXCAVATION SHALL BE INCIDENTAL TO ITEM 900.645 SPECIAL PROVISION (TRANSFER TO NEW SYSTEM, SANITARY SEWER). PAYMENT FOR ALL OTHER REQUIRED EXPLORATORY EXCAVATION, INCLUDING BUT NOT LIMITED TO WATER/STORM PIPING CROSSINGS AS DEPICTED ON THE PLANS, SHALL BE MADE UNDER ITEM 204.22 TRENCH EXCAVATION OF EARTH, EXPLORATORY (N.A.B.I.).
2. THE NEW SANITARY SEWER MAIN IS LOCATED PARALLEL TO THE EXISTING MAIN IN PLAN VIEW AND LOCATED APPROXIMATELY AT THE SAME ELEVATION OR LOWER AS THE EXISTING MAIN AS DEPICTED ON THE TYPICAL SECTION DRAWING TS-01. DUE TO POTENTIAL CONFLICTS DURING CONSTRUCTION WITH EXISTING LATERAL SEWER SERVICES, THE CONTRACTOR IS RESPONSIBLE FOR MAINTENANCE OF EXISTING SEWAGE FLOWS BOTH IN THE EXISTING SANITARY SEWER MAIN AND LATERAL SEWER SERVICES INCLUDING THE INSTALLATION AND MAINTENANCE OF ALL NECESSARY BYPASS PUMPING OPERATIONS AND/OR INSTALLATION OF TEMPORARY SEWER SERVICE PIPING AS DETAILED ON THE PLANS AND AS MAY BE REQUIRED. ALL WORK ASSOCIATED WITH MAINTENANCE OF EXISTING SEWAGE FLOWS BOTH IN THE EXISTING SANITARY SEWER MAIN AND LATERAL SEWER SERVICES INCLUDING THE INSTALLATION AND MAINTENANCE OF ALL NECESSARY BYPASS PUMPING OPERATIONS AND/OR INSTALLATION OF TEMPORARY SEWER SERVICE PIPING SHALL BE INCIDENTAL TO ITEM 900.645 SPECIAL PROVISION (TRANSFER TO NEW SYSTEM, SANITARY SEWER).
3. CONTRACTOR SHALL ESTABLISH CONSTRUCTION PHASING SUCH THAT THE EXISTING SANITARY SEWER MAIN INCLUDING ALL MANHOLES AND LATERAL PIPES REMAIN IN SERVICE DURING CONSTRUCTION OF NEW SANITARY SEWER MAIN AND MANHOLES. IN LOCATIONS OF CONFLICT BETWEEN NEW SANITARY SEWER MAIN AND EXISTING LATERAL SERVICES, CONTRACTOR SHALL FURNISH AND INSTALL TEMPORARY SEWER SERVICE PIPING AS DETAILED ON THE PLANS. PAYMENT FOR TEMPORARY SEWER SERVICE PIPING SHALL BE INCIDENTAL TO ITEM 900.645 SPECIAL PROVISION (TRANSFER TO NEW SYSTEM, SANITARY SEWER). UPON SUCCESSFUL TESTING OF NEW SANITARY SEWER MAIN AND MANHOLES, EXISTING LATERAL SERVICES MAY BE TRANSFERRED OVER TO THE NEW SYSTEM AND THE EXISTING SYSTEM PIPING DECOMMISSIONED AS SPECIFIED ON THE PLANS.
4. CONTRACTOR SHALL MAINTAIN A MINIMUM OF ONE-WAY TRAFFIC AND ACCESS TO AFFECTED COMMERCIAL AND RESIDENTIAL PROPERTIES AT ALL TIMES DURING CONSTRUCTION.

PROJECT NAME: RUTLAND CITY
PROJECT NUMBER: STP 019-3(57)

FILE NAME: ...\\PlotFiles\\rutf_sew_det.dgn PLOT DATE: 7/12/2013
PROJECT LEADER: GAE DRAWN BY: PZA
DESIGNED BY: TFD CHECKED BY: GAE
SEWER & WATER DETAILS SWD-03 SHEET 311 OF 392

