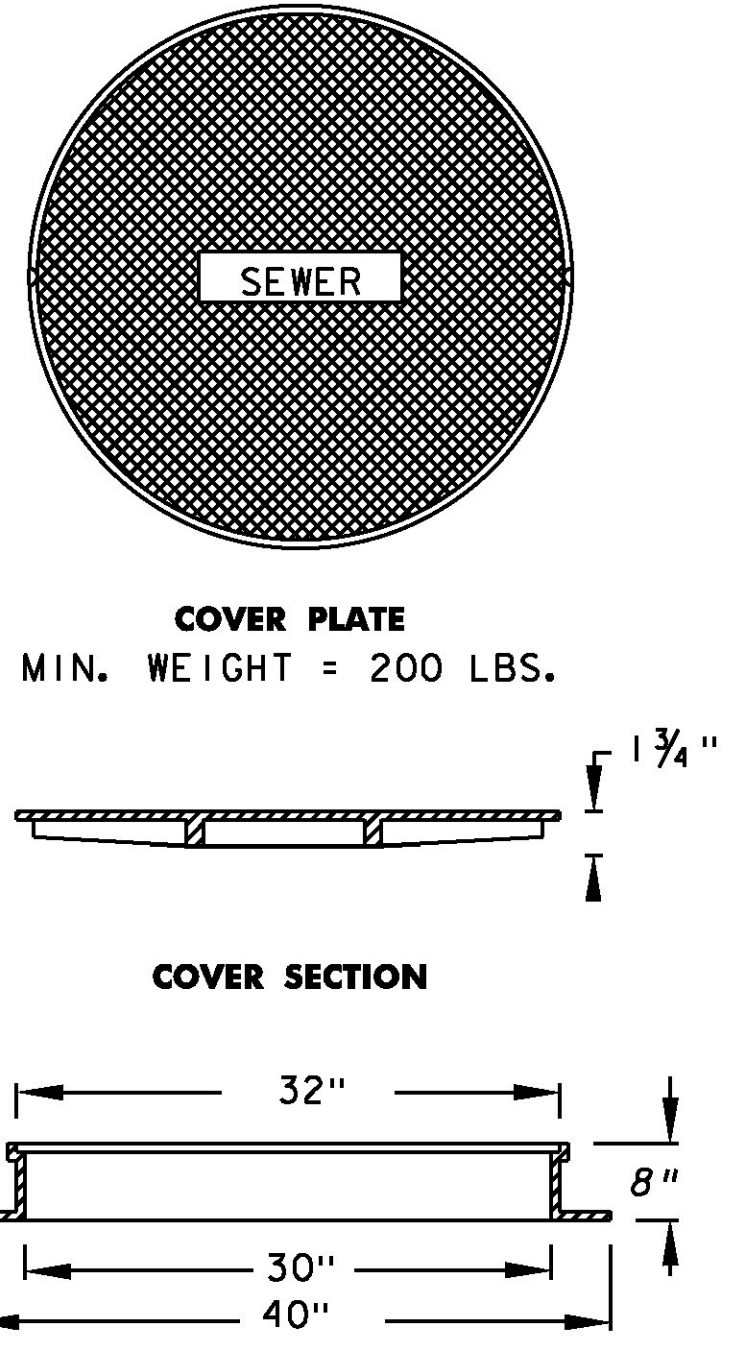


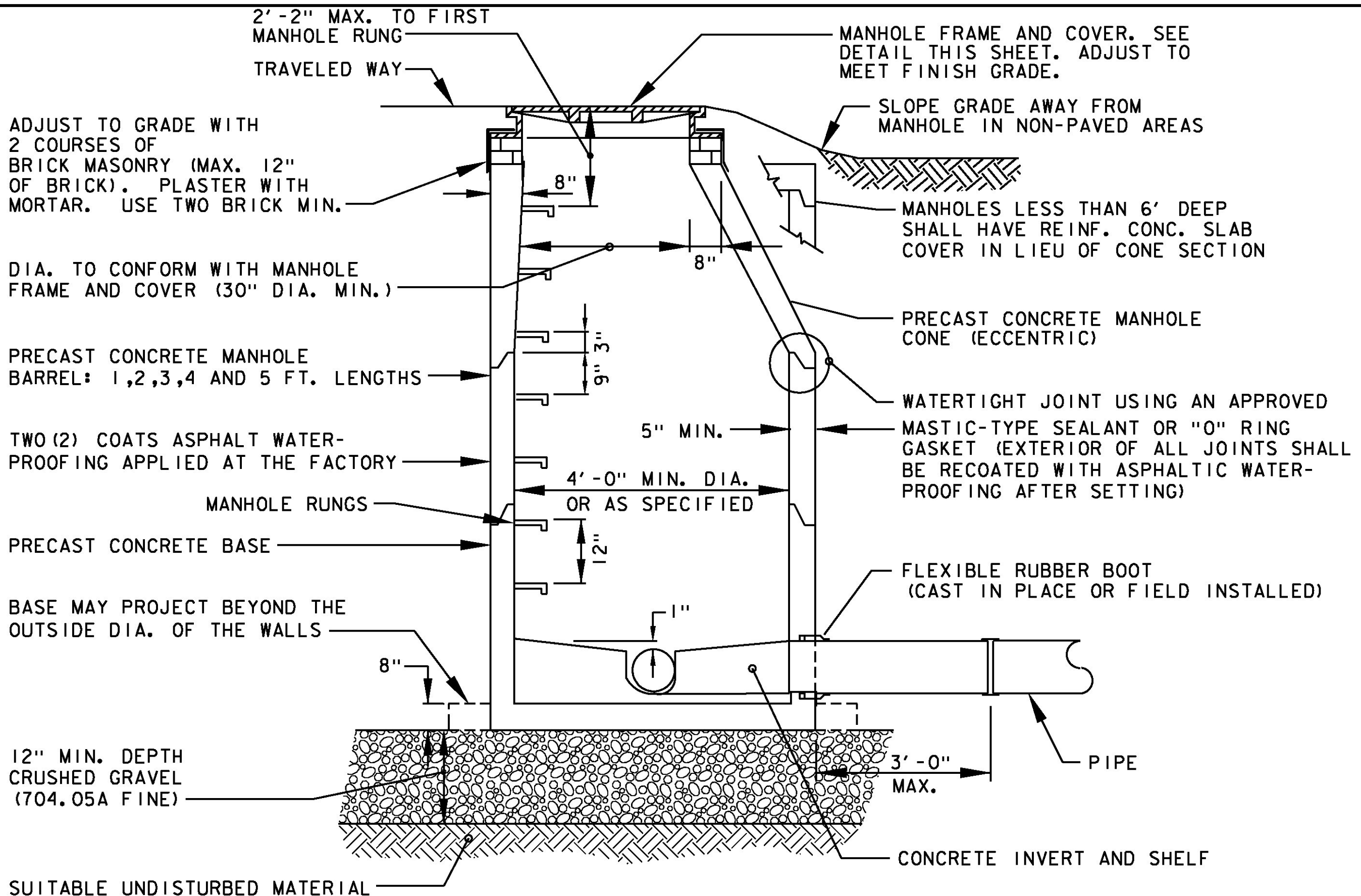
OUTSIDE SEWER MANHOLE DROP

NOT TO SCALE
ITEM 900.620 SPECIAL PROVISION (OUTSIDE DROP FOR SEWER MANHOLE)



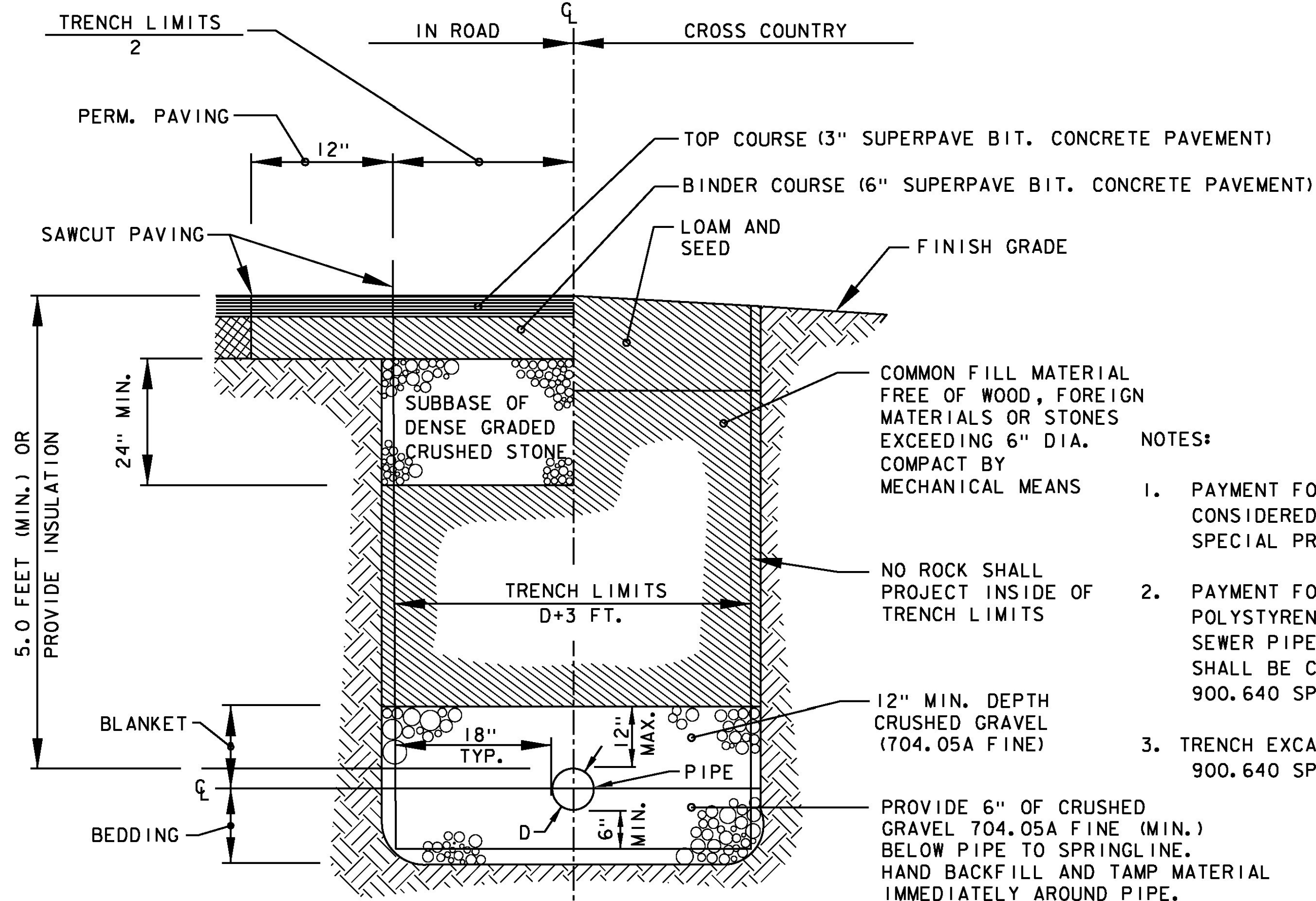
SANITARY SEWER MANHOLE FRAME AND COVER DETAIL

NOT TO SCALE



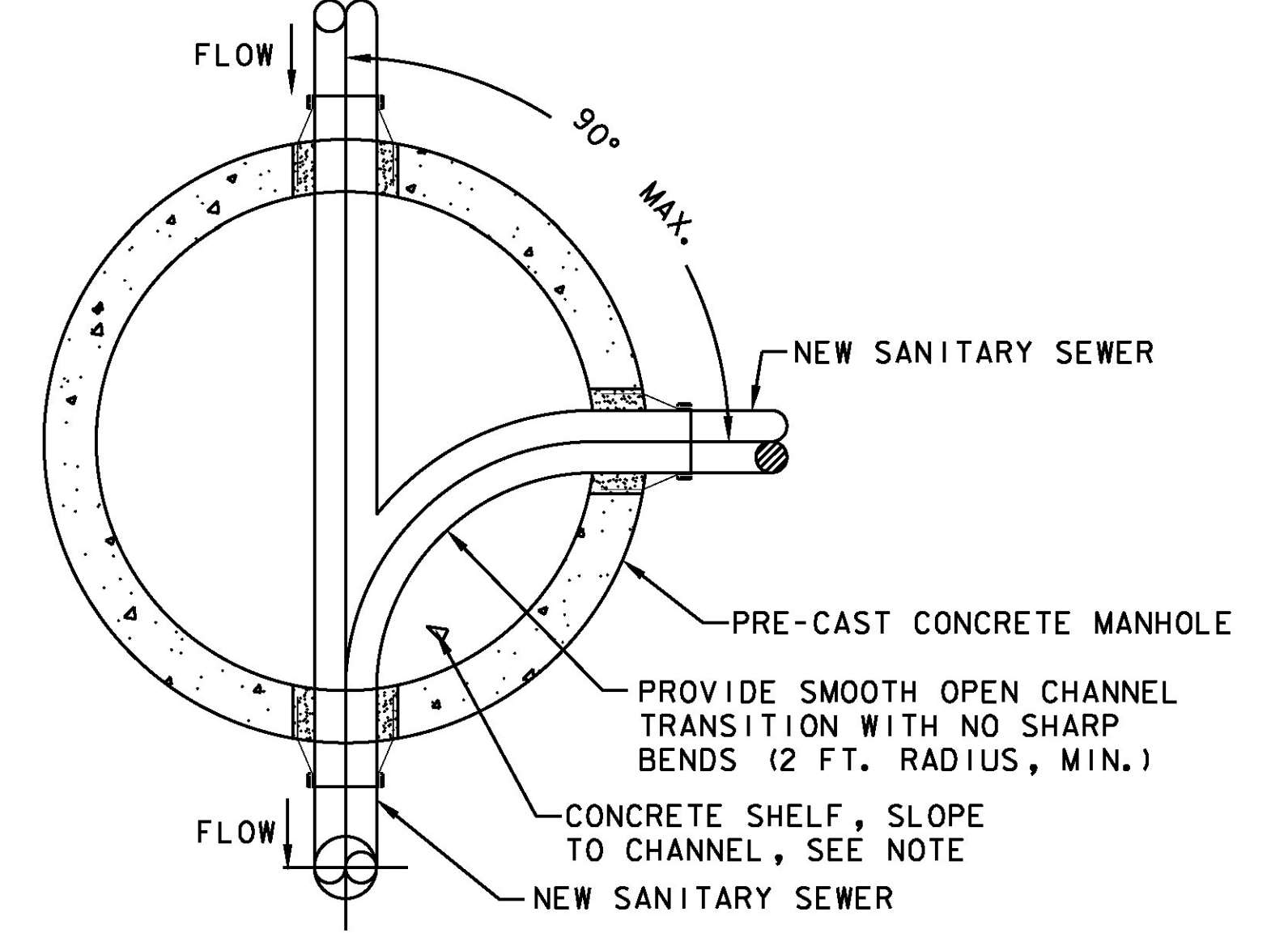
PRE-CAST CONCRETE SANITARY SEWER MANHOLE

- NOTE:
1. MANHOLE STRUCTURE TO BE CAPABLE OF SUPPORTING AASHTO H-20 LOADING
2. TRENCH EXCAVATION SHALL BE INCIDENTAL TO ITEM 900.620 - SPECIAL PROVISION (SANITARY SEWER MANHOLE)



SANITARY SEWER TYPICAL TRENCH DETAIL

NOT TO SCALE



- NOTE:
SHELVES CAN BE CONSTRUCTED WITH CLASS B 3500 PSI CONCRETE AS DEFINED IN SECTION 501 OF THE VERMONT STANDARD SPECIFICATIONS. INVERTS FOR SEWER MANHOLES SHALL BE AS SHOWN ON THE PLANS AND DETAILS AND SHALL BE CONSTRUCTED WITH CLASS B 3500 PSI CONCRETE, OR FOR STRAIGHT RUNS, SEGMENTS OF PIPE CUT IN HALF LONGITUDINALLY. INVERTS SHALL HAVE THE EXACT SHAPE AND SLOPE OF THE SEWER TO WHICH THEY ARE CONNECTED, AND ANY CHANGE IN SIZE OR DIRECTION SHALL BE GRADUAL AND EVEN.

TYPICAL SANITARY SEWER MANHOLE CHANNEL

NOT TO SCALE

PROJECT NAME:	RUTLAND CITY
PROJECT NUMBER:	STP 019-3(57)
FILE NAME:	...\\PlotFiles\\rur Sew Det.dgn
PLOT DATE:	7/12/2013
PROJECT LEADER:	GAE
DRAWN BY:	PZA
DESIGNED BY:	TFD
CHECKED BY:	GAE
SEWER & WATER DETAILS SWD-01	SHEET 309 OF 392

