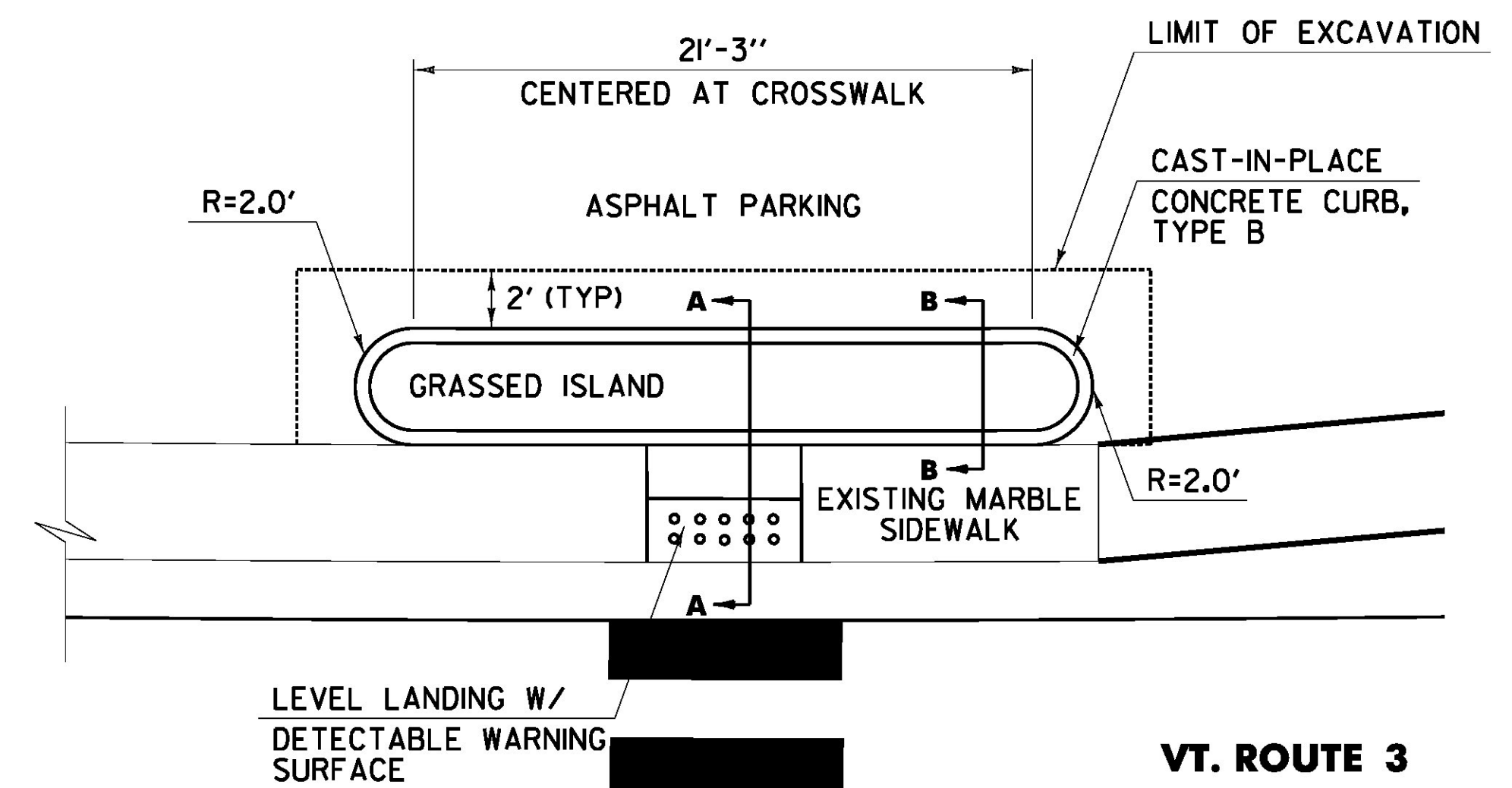
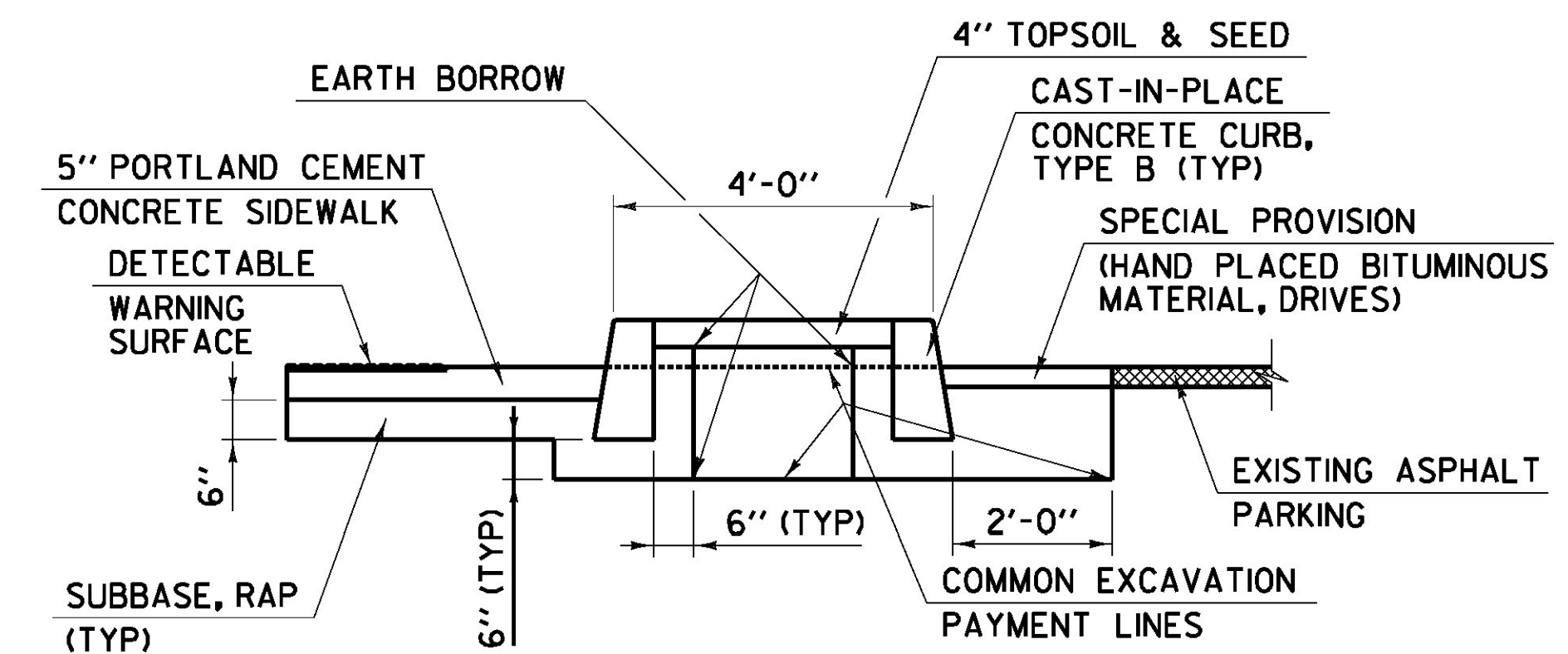


RADIAL MARKING DETAIL
U.S. BR 4 RUTLAND CITY STA 48+31.28 TO STA 48+68.09 RT

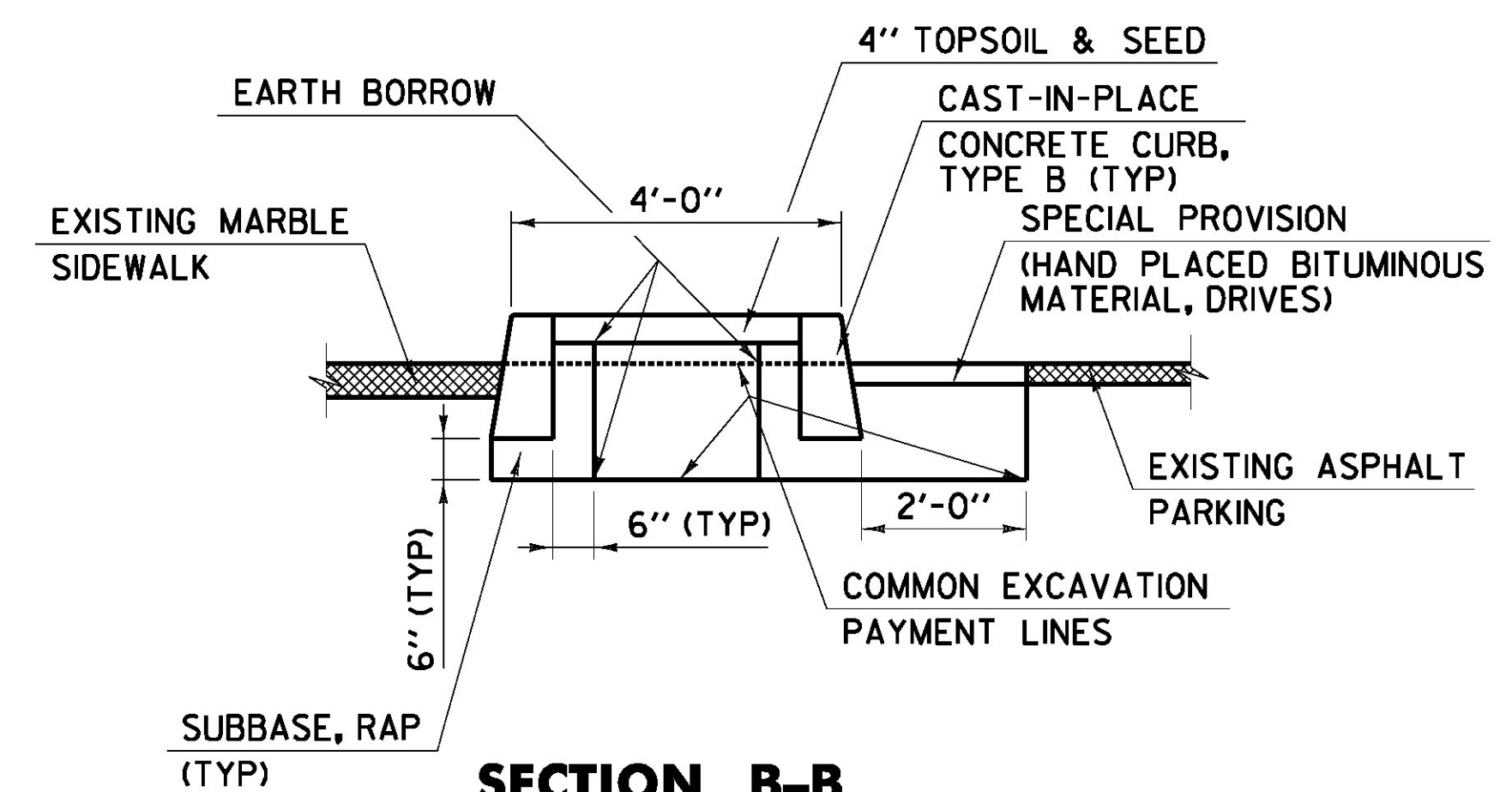


RAISED ISLAND DETAIL PLAN VIEW

VT. ROUTE 3 PROCTOR STA 109+28.00 TO STA 109+54.00 LT



SECTION A-A



SECTION B-B

NOT TO SCALE

MISCELLANEOUS DETAILS SHEET #2	PROJECT NAME: RUTLAND CITY - PROCTOR
	PROJECT NUMBER: STP 2728(I)
	FILE NAME: p07d282.dgn
	PLOT DATE: 7/19/2013
DESIGNED BY: L.M.B.	DRAWN BY: W.G.P.
IPARM FILE: p07d282md+02.I	CHECKED BY: J.P.S.
	SHEET 45 OF 392