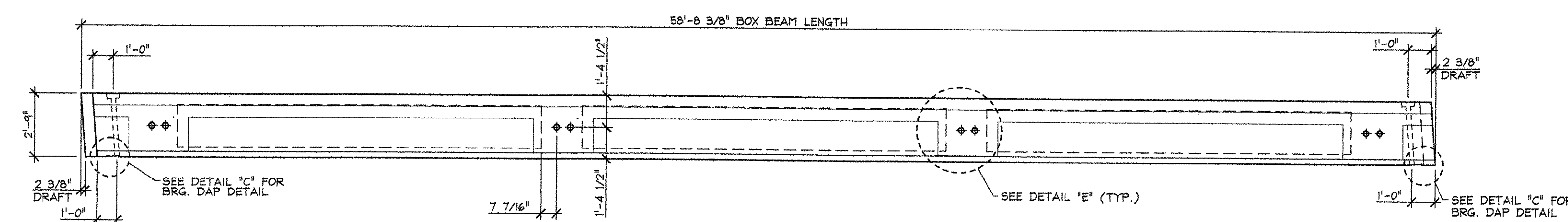
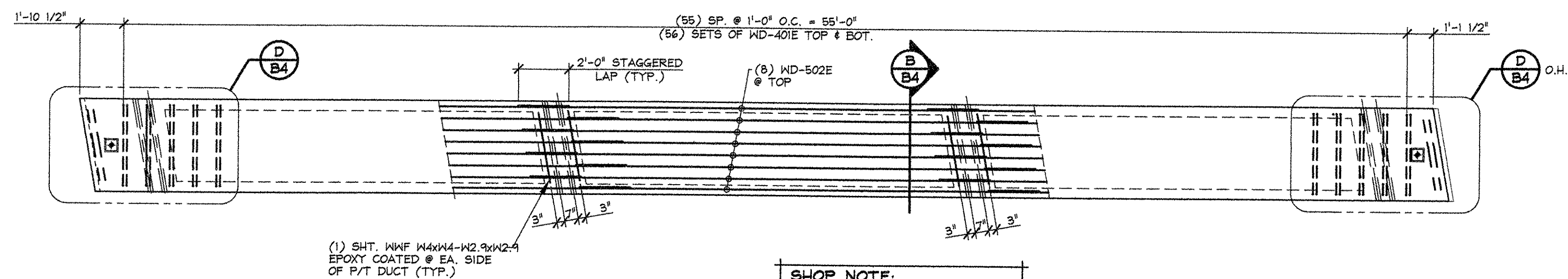


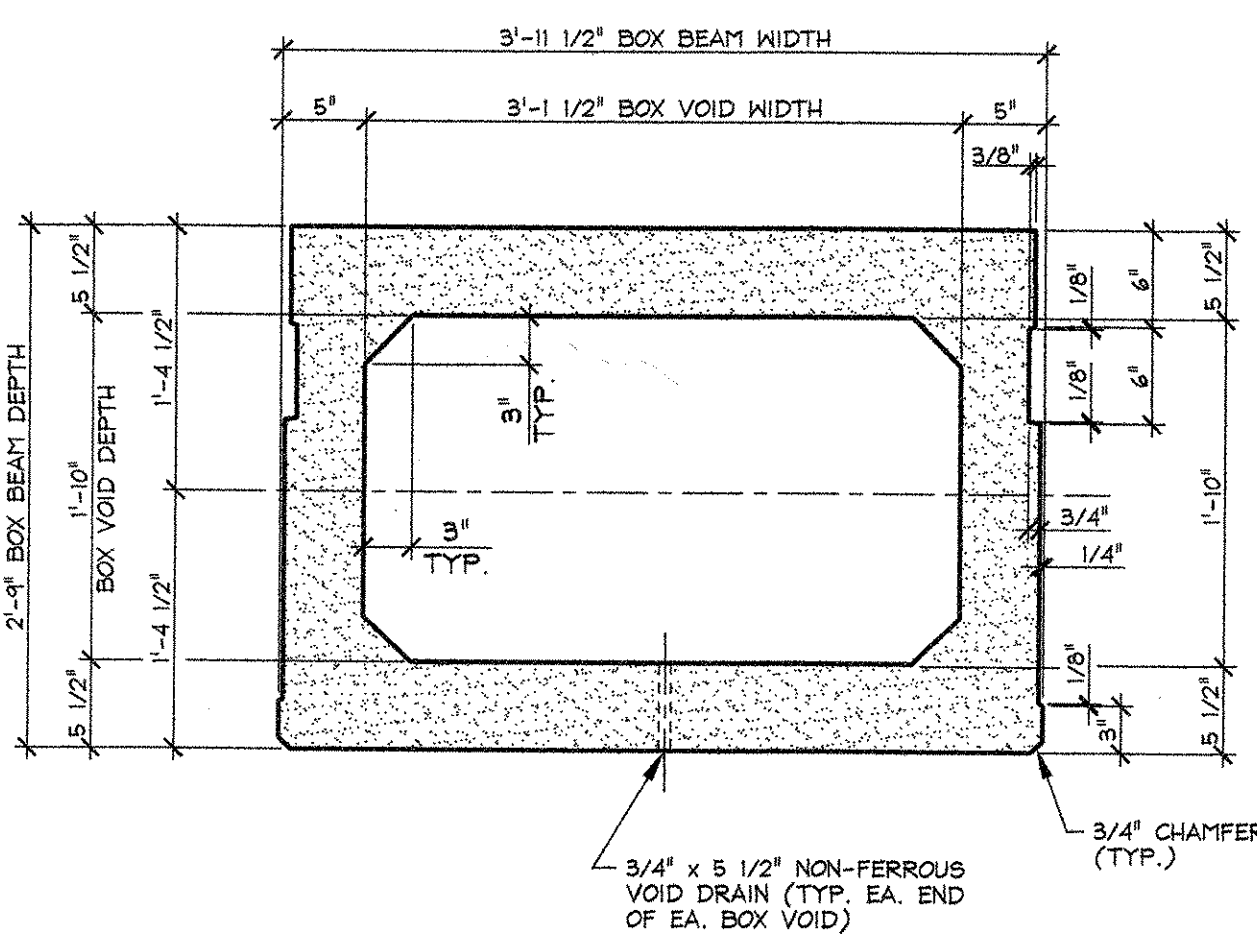
1 DIMENSIONAL PLAN VIEW IN FORM  
B4  
1/4" = 1'-0"



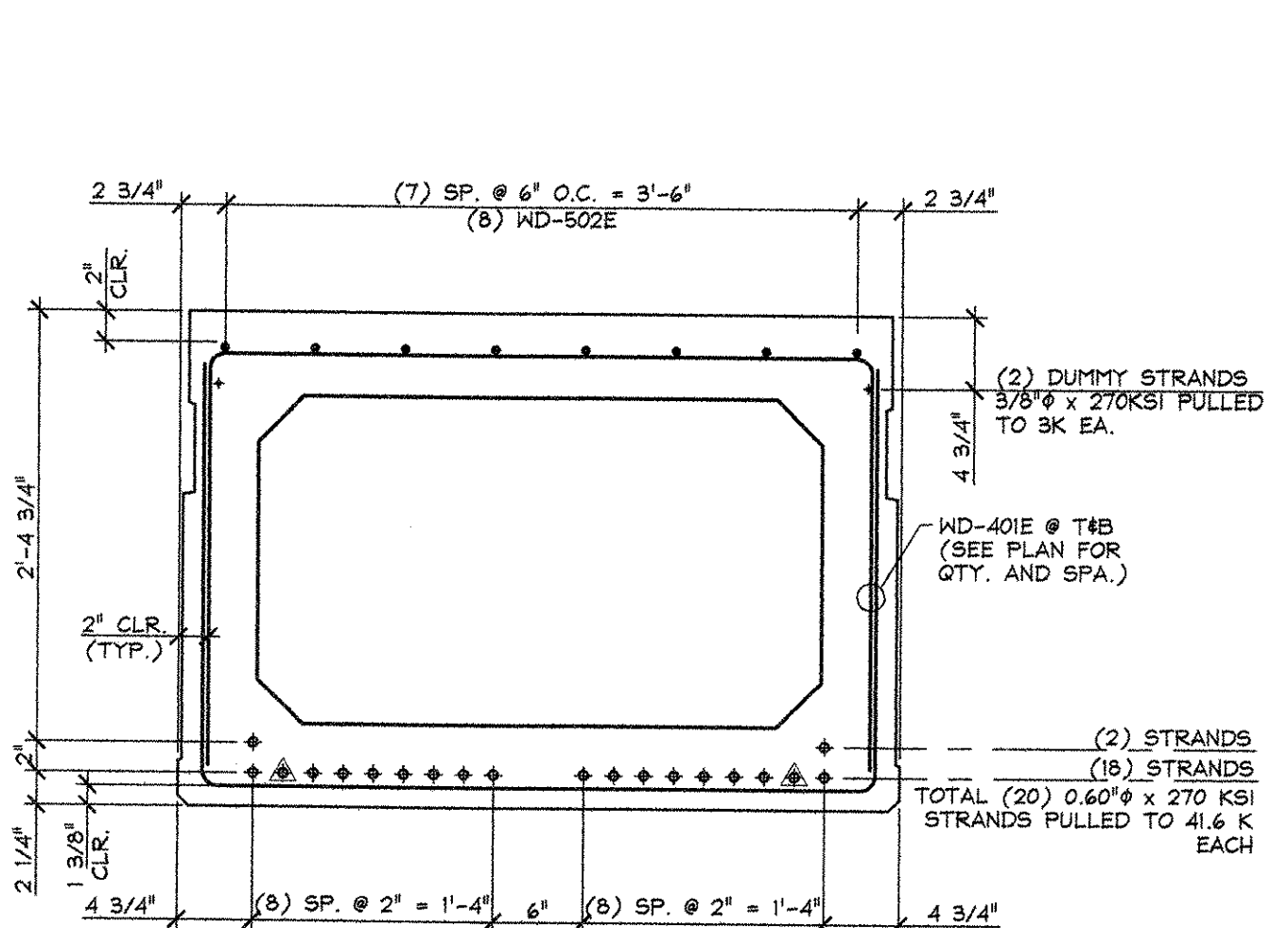
2 ELEVATION VIEW IN FORM  
B4  
1/4" = 1'-0"



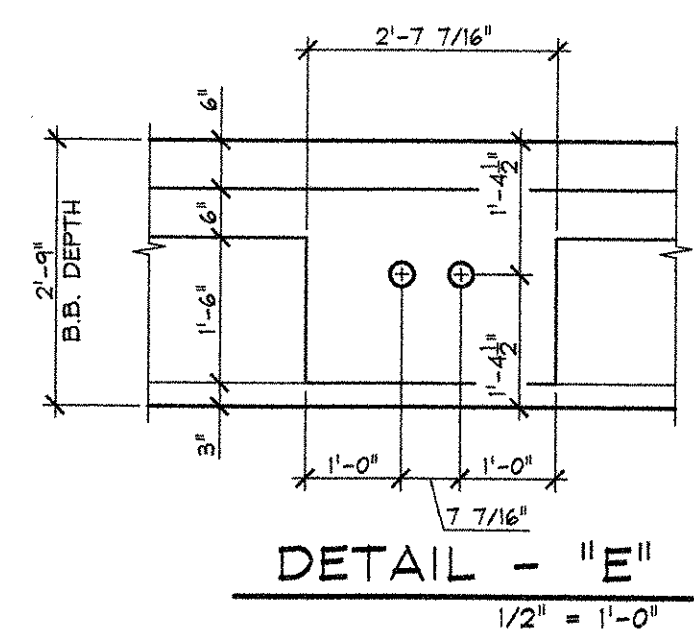
3 REINFORCING PLAN VIEW IN FORM  
B4  
1/4" = 1'-0"



A DIMENSIONAL SECTION  
B4  
1" = 1'-0"



B REINFORCING SECTION  
B4  
1" = 1'-0"



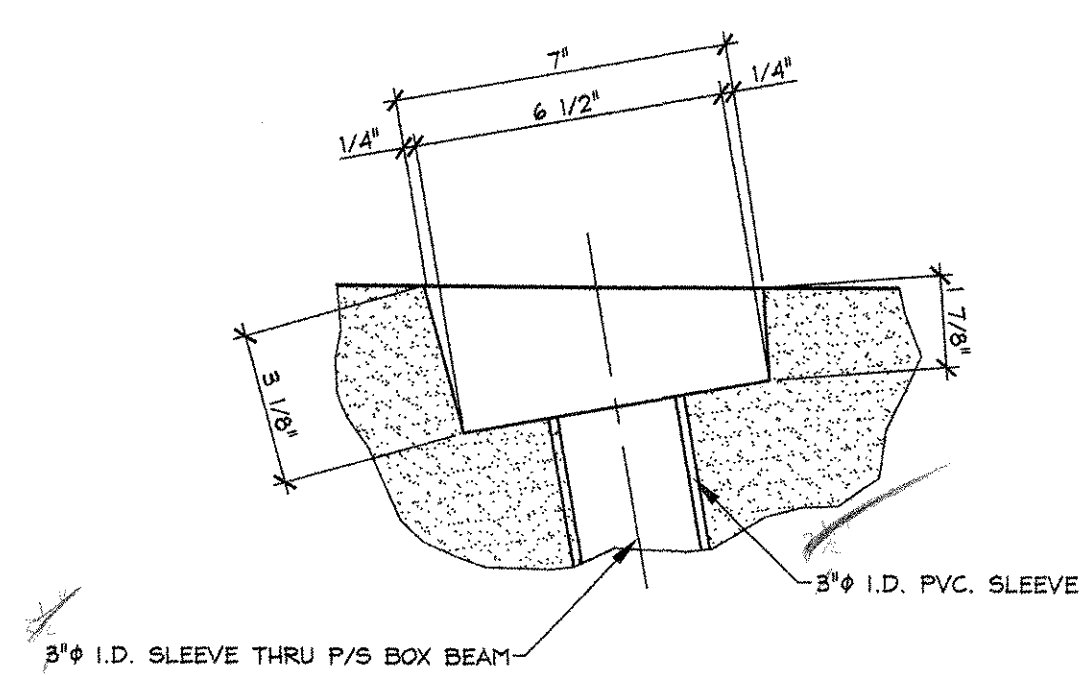
DETAIL - "E"  
1/2" = 1'-0"



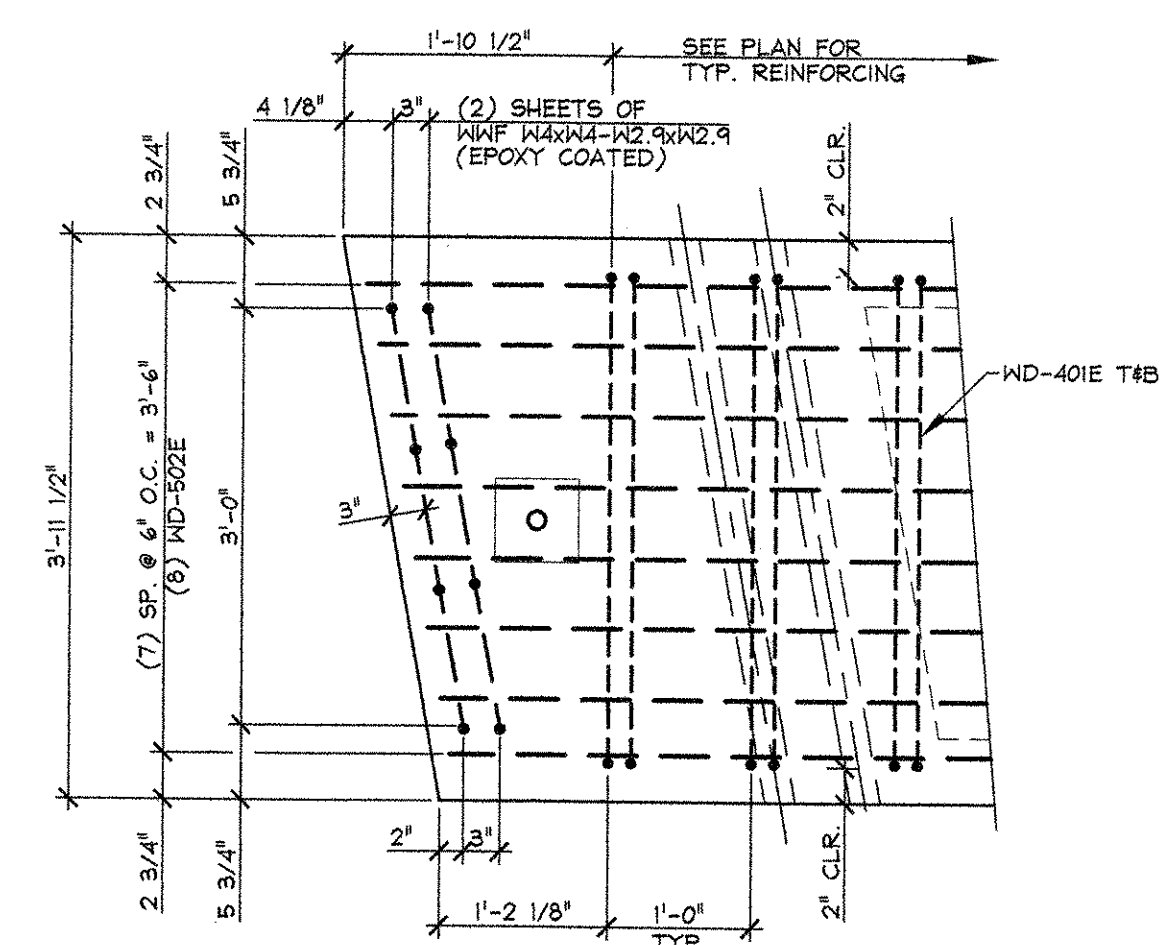
DETENSIONING SCHEDULE  
N.T.S.



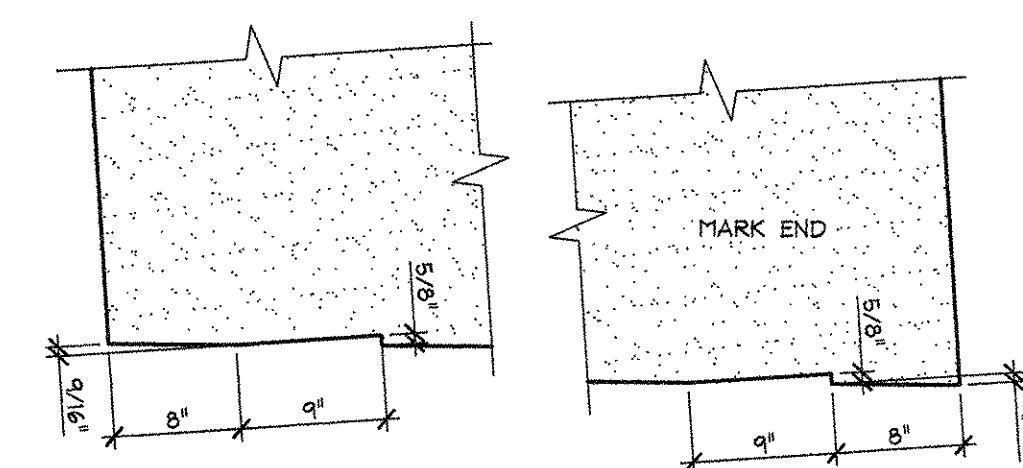
PLAN VIEW



DETAIL - "G"  
3" = 1'-0"



D END BLOCK REINFORCING DETAIL  
B4  
1" = 1'-0"



C BRG. BLOCKOUT DETAILS  
B4  
1" = 1'-0"

MARK: SP-4		QTY.: 6	WT.: 27.58 T	VOL.: 13.62 cy
MATERIAL LIST / VOIDED BOX BEAM				
ITEM	MARK	DESCRIPTION	QTY.	
1	401	#4 BENT BAR (EPOXY COATED)	112	
2	502	#8 x 57'-8" (W/ (3) 2'-0" STAGGERED LAPS)	8	
3				
4				
5				
6				
7				
8				
9				
10				
11				
12				
13				
14				
15		W4F W4XW4-W2 9xW2.9 [2'-0" x 3'-0"] (EPOXY COATED)	8	
17		3'-1 1/2" x 1'-10" x 15'-9 3/16" BOX VOID	3	
18		3/4" x 5 1/2" NON-FERROUS VOID DRAINS	6	
19		DOUBLE 1/2" STRANDS LIFTING LOOPS	4	
20				

APPROVAL STAMP:

RECEIVED  
CK'D BY DRP OK'D BY [Signature]  
JUL 10 2007  
RESUBMIT APPROVED [Signature]  
BY [Signature] DATE 7/10/07

J.P. CARRARA & SONS INC.  
Precast & Prestress Manufacturer  
244 CURE STR., WOODBURY, VERMONT 05253 Phone:(802)388-6361 Fax:(802)388-9010

J.A. McDONALD, INC.  
CONTRACTOR  
LYNDON, VERMONT

STATE OF VERMONT A.O.T.  
COUNTY OF WINDSOR

DATE: JUNE 20, 2007  
SCALE: NOTED

TOWN OF SPRINGFIELD  
VERMONT ROUTE 11  
BRIDGE NO.: 55 PROJECT NO.: ST CULV(5)

CHKD: D.F. DFTM: T.J.D  
JOB NO: 23258-007

BOX BEAM SECTIONS & DETAILS

DWG. NO: B4