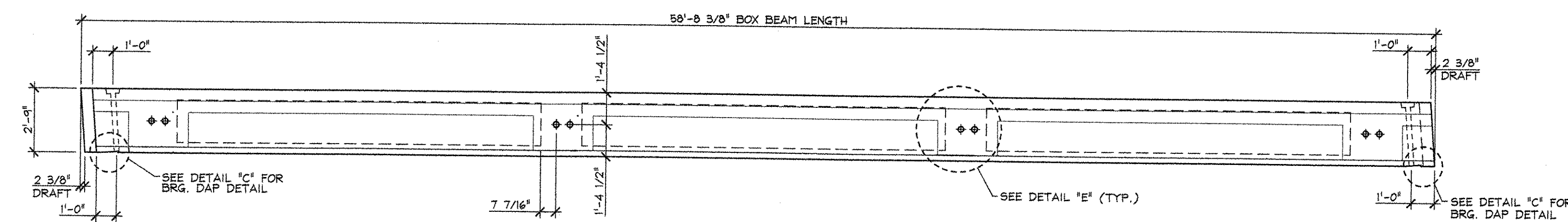
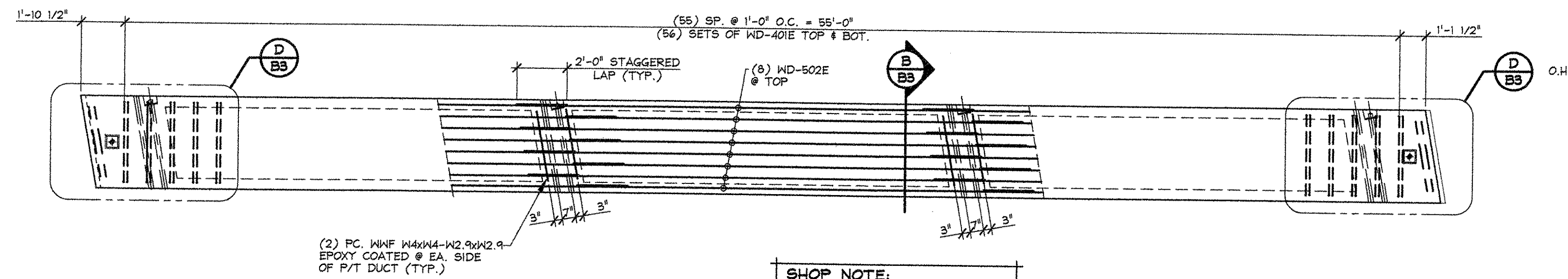


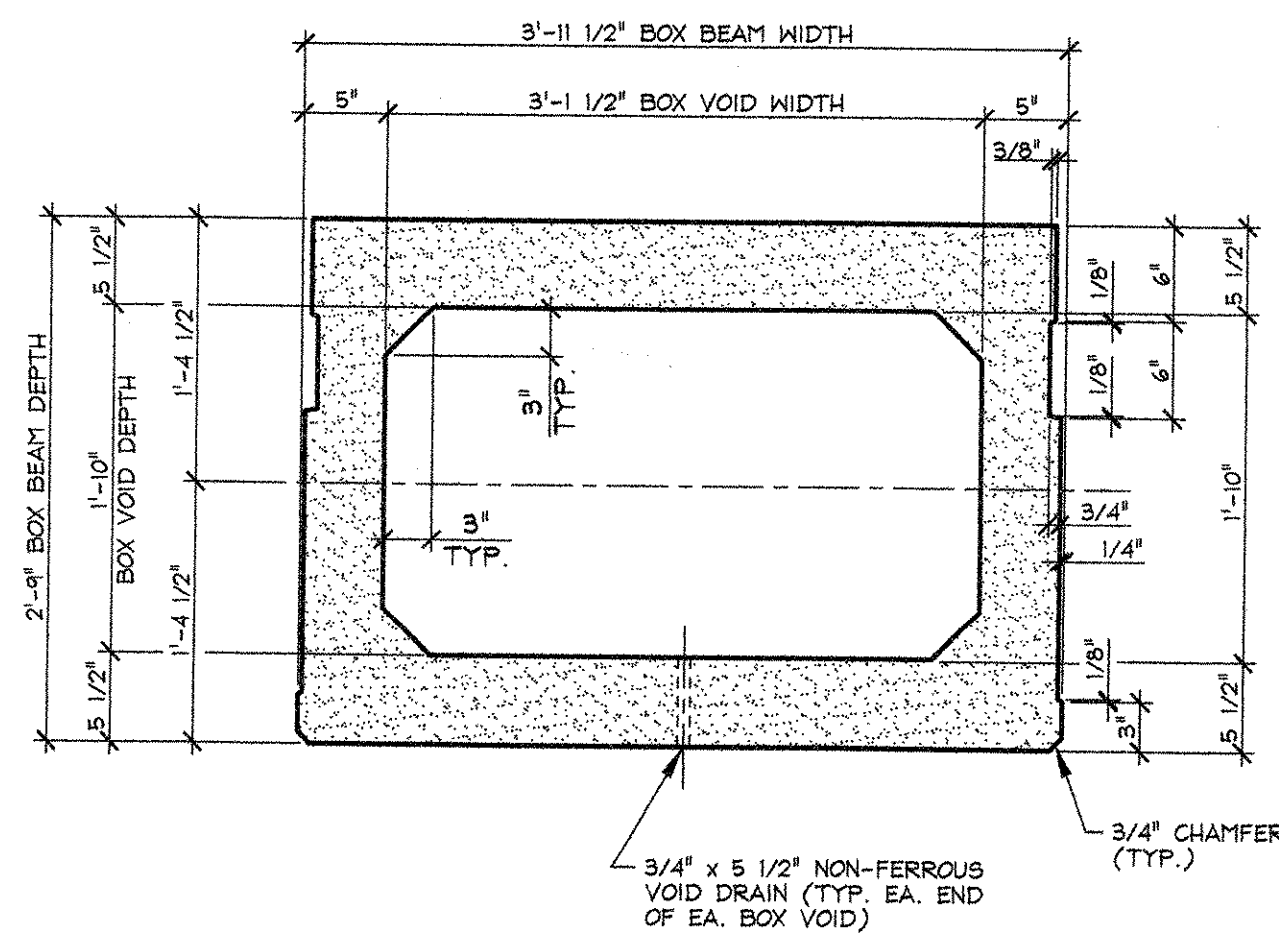
1 DIMENSIONAL PLAN VIEW IN FORM
B3
1/4" = 1'-0"



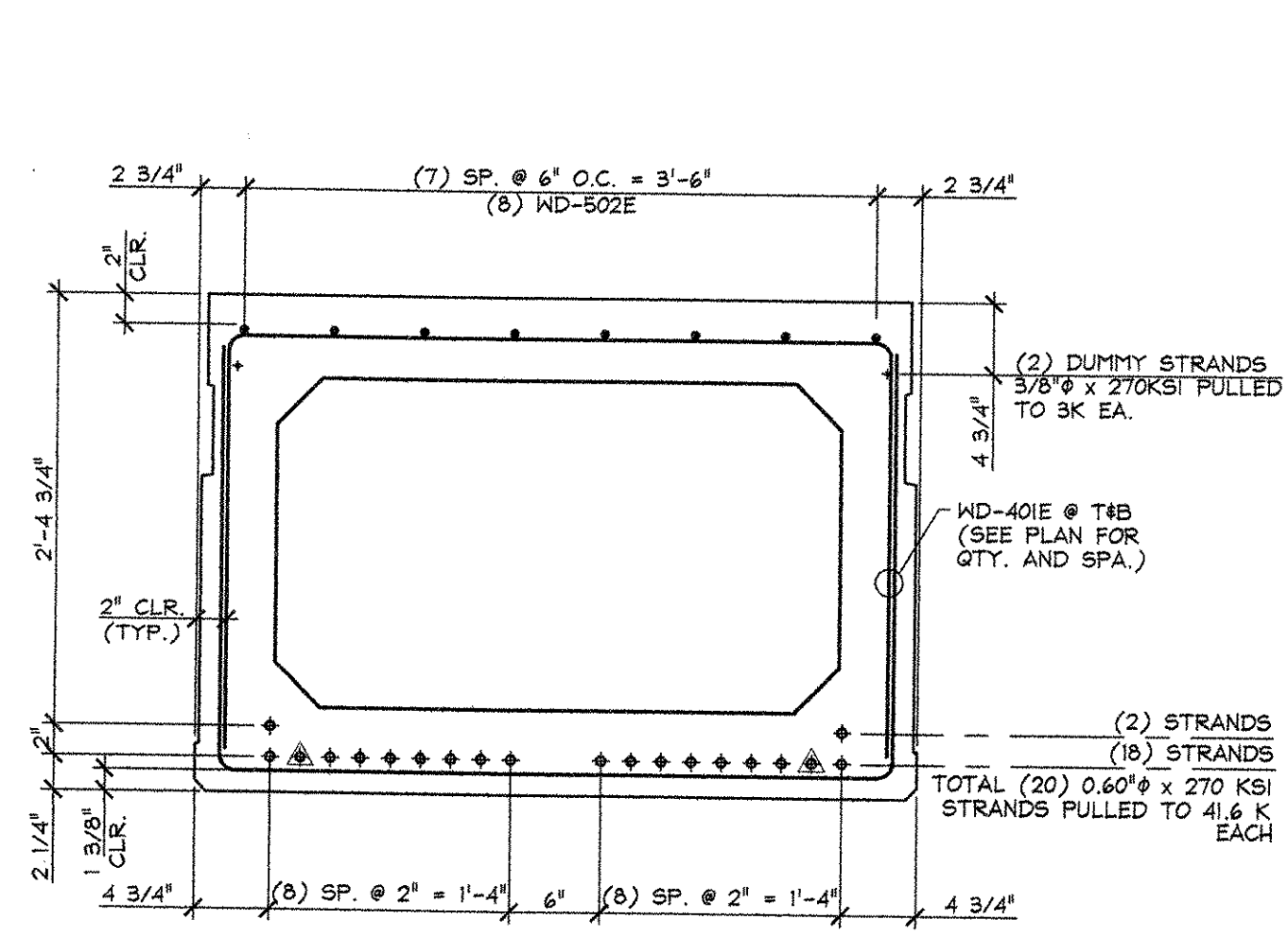
2 ELEVATION VIEW IN FORM
B3
1/4" = 1'-0"



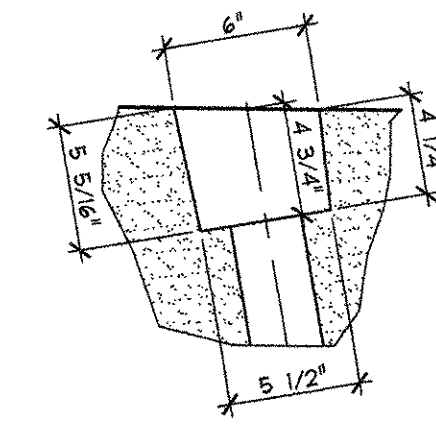
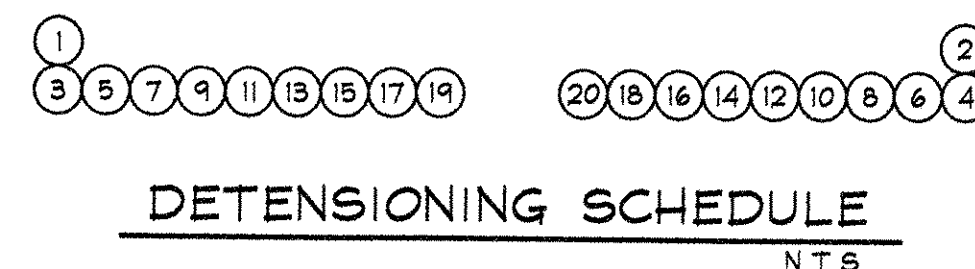
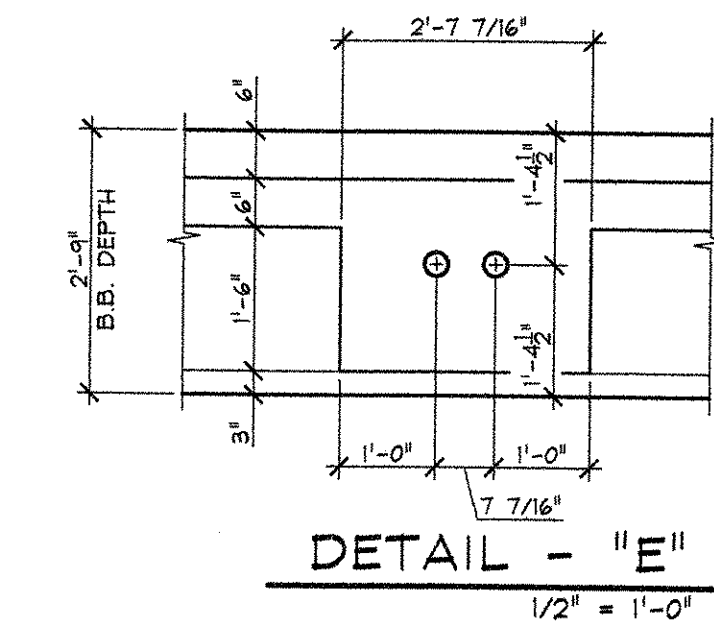
3 REINFORCING PLAN VIEW IN FORM
B3
1/4" = 1'-0"



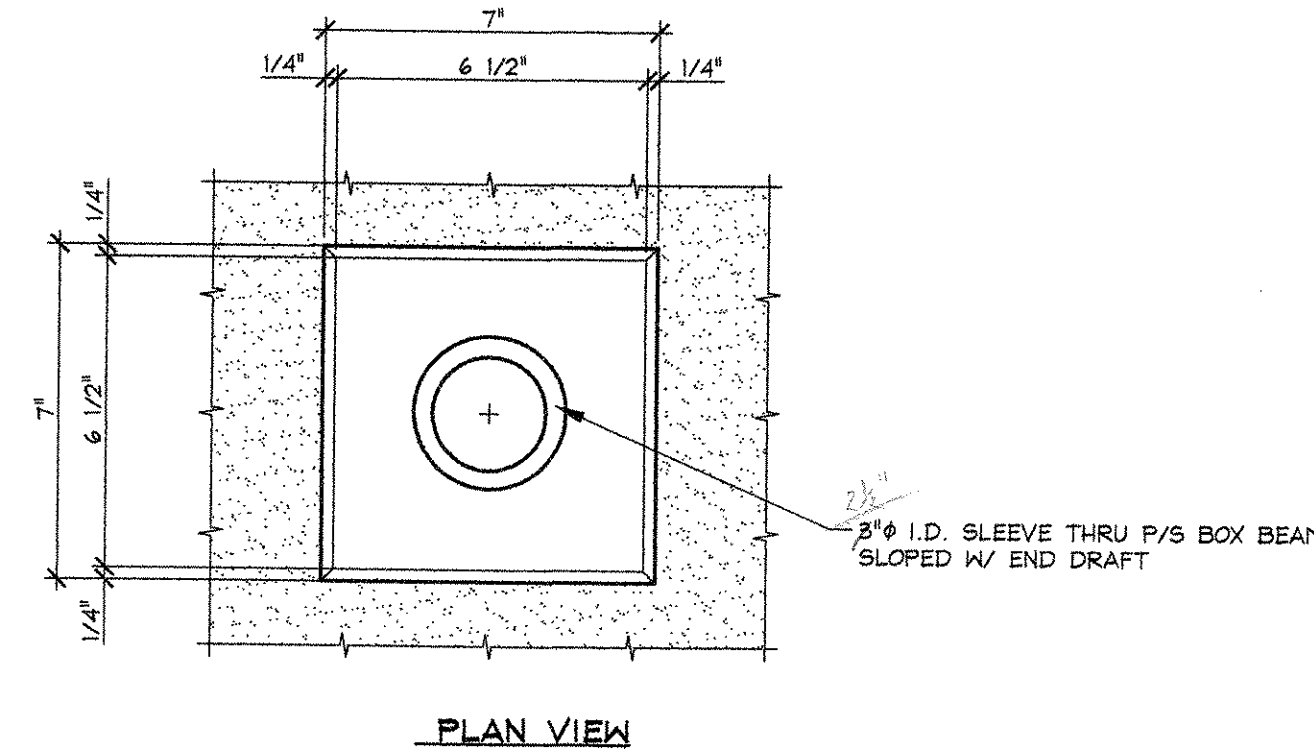
A DIMENSIONAL SECTION
B3
1" = 1'-0"



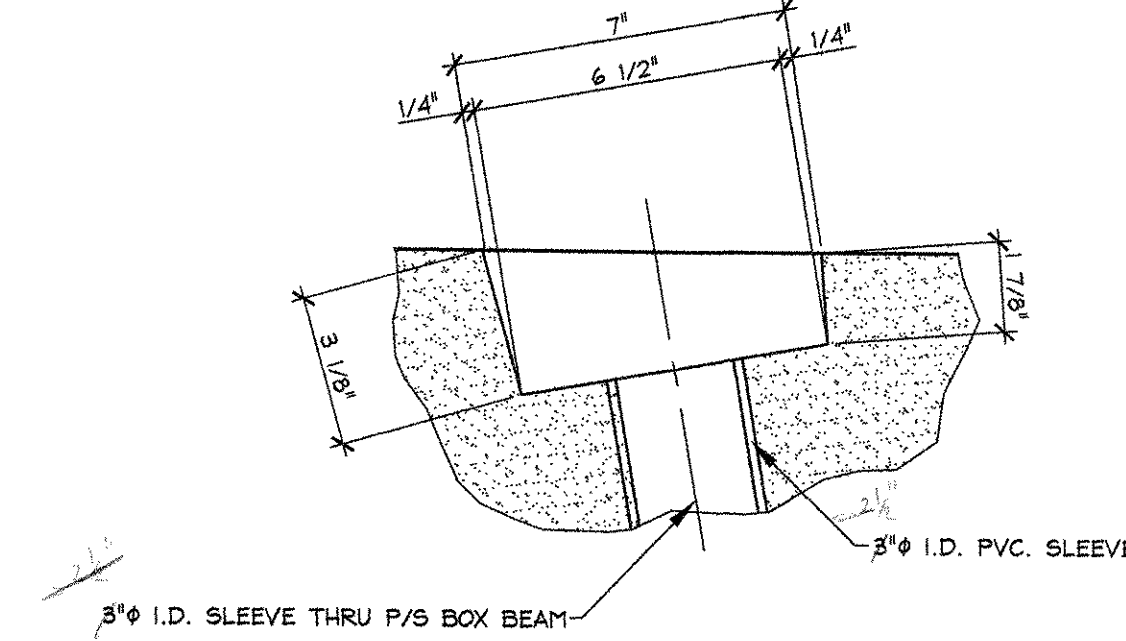
B REINFORCING SECTION
B3
1" = 1'-0"



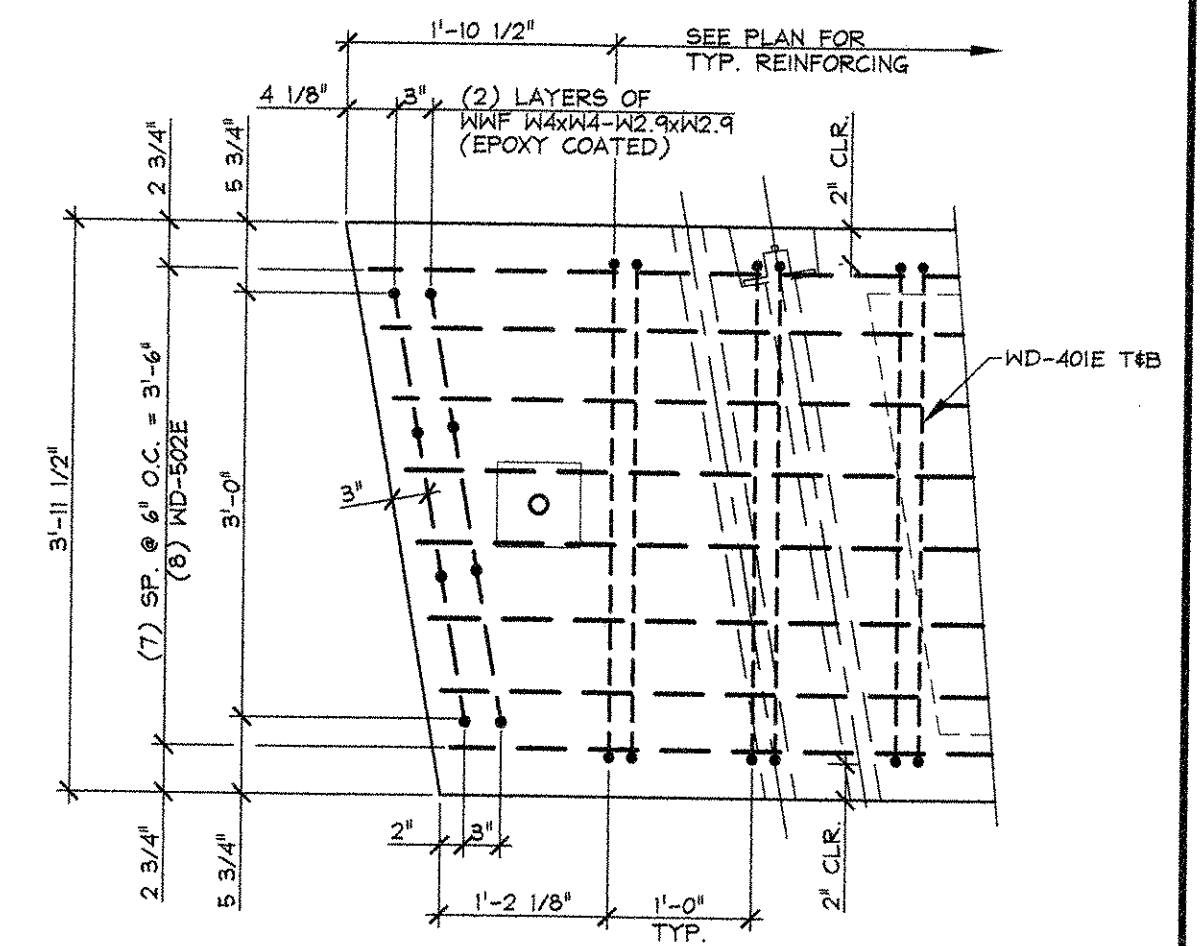
DETAIL - "F"
1 1/2" = 1'-0"



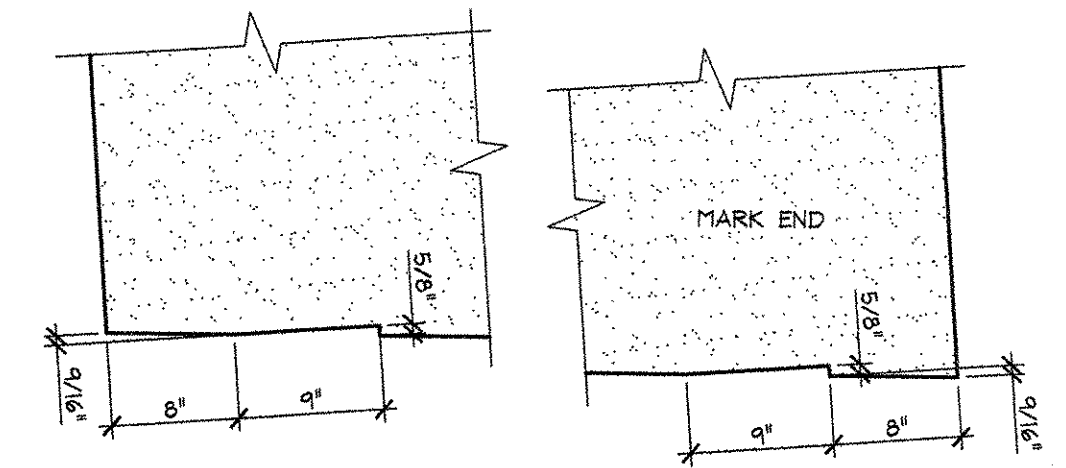
PLAN VIEW



DETAIL - "G"
3" = 1'-0"



D END BLOCK REINFORCING DETAIL
B3
1" = 1'-0"



C BRG. BLOCKOUT DETAILS
B3
1" = 1'-0"

MARK:	SP-3	QTY.:	1	WT.:	27.58 T	VOL.:	13.62 cy
MATERIAL LIST / VOIDED BOX BEAM							
ITEM	MARK	DESCRIPTION				QTY.	
1	401	#4 BENT BAR (EPOXY COATED)				112	
2	502	#5 x 57'-8" (W/ (3) 2'-0" STAGGERED LAPS)				8	
3							
4							
5							
6							
7							
8							
9							
10							
11							
12							
13							
14							
15		W4x14-H2-9x2.9 (2'-0" x 3'-0") (EPOXY COATED)				8	
16		3'-1 1/2" x 1'-10" x 15'-9 3/16" BOX VOID				3	
17		3/4" x 5 1/2" NON-FERROUS VOID DRAINS				6	
18		DOUBLE 1/2" STRANDS LIFTING LOOPS				4	
19							

APPROVAL STAMP:
 RECEIVED
 OK'D BY *D.P.P.* OK'D BY *luc*
 JUL 10 2007
 RESUBMIT _____ APPROVED _____
 BY *plw* DATE *7/10/07*

J.P. CARRARA & SONS INC.
 Precast & Prestress Manufacturer
 2464 CASE ST., MIDDLEBURY, VERMONT 05753 Phone:(802)388-6361 Fax:(802)388-9010

J.A. McDONALD, INC.
 CONTRACTOR
 LYNDON, VERMONT

STATE OF VERMONT A.O.T.
 COUNTY OF WINDSOR

TOWN OF SPRINGFIELD
 VERMONT ROUTE 11

BRIDGE NO.: 55 PROJECT NO.: ST CULV(5)

DATE: JUNE 20, 2007
 SCALE: NOTED
 CHKD: D.F. DFTM: T.J.D.
 JOB NO: 23258-007
 DWG. NO: B3