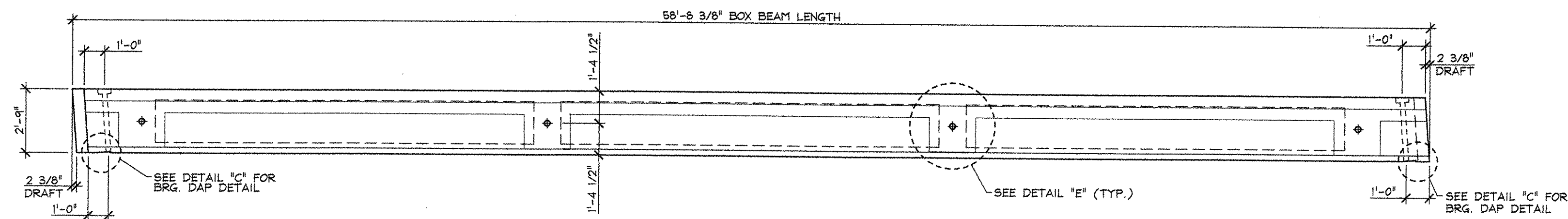
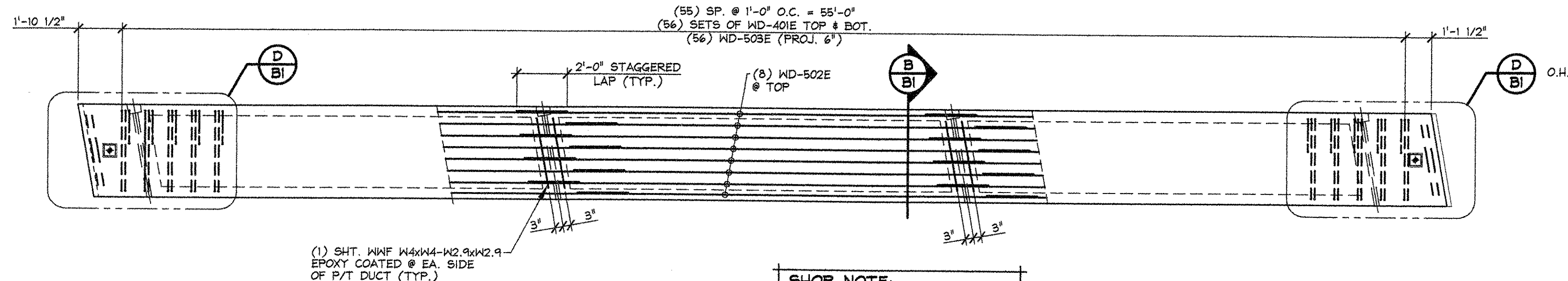


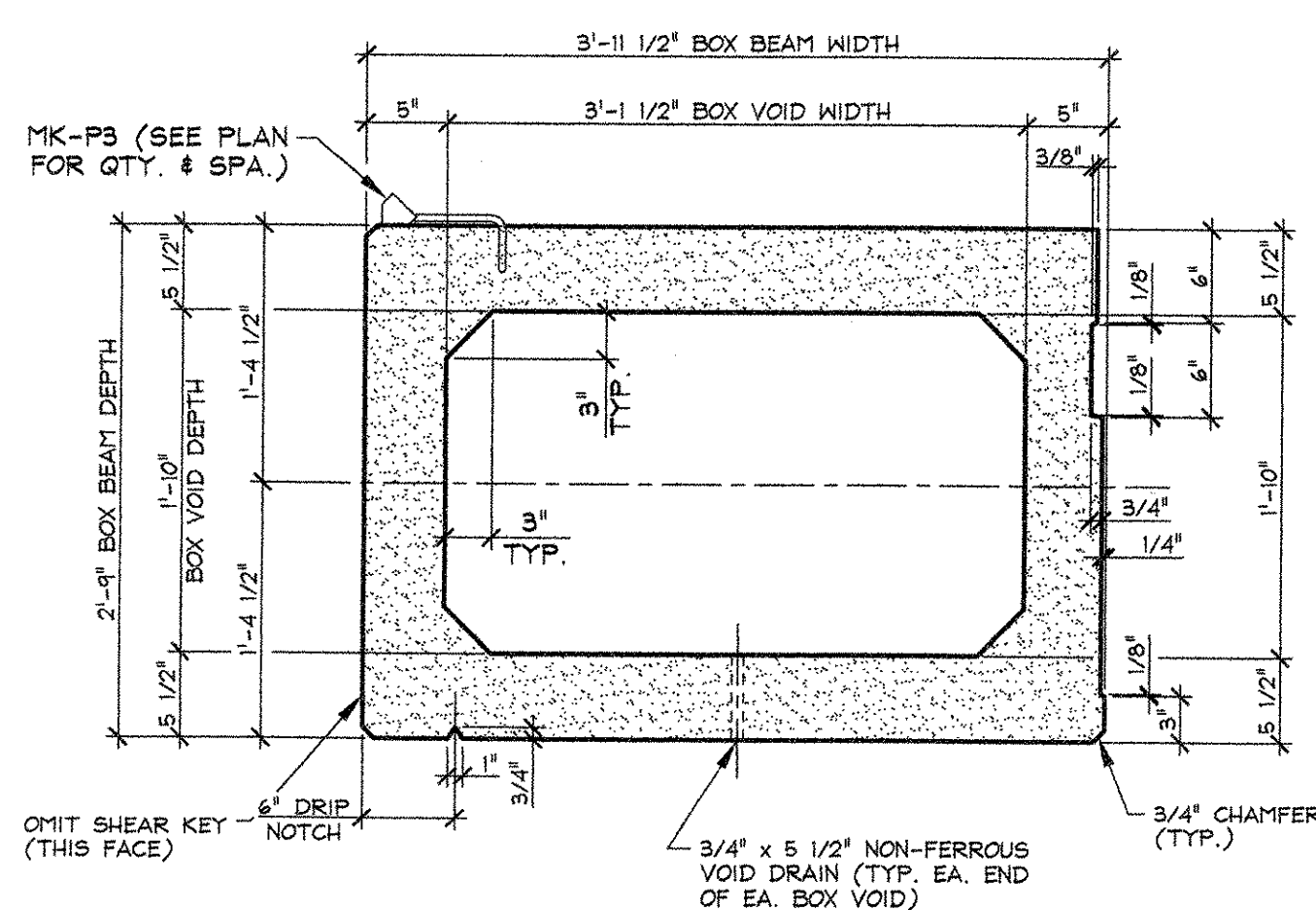
1 DIMENSIONAL PLAN VIEW IN FORM
1/4" = 1'-0"



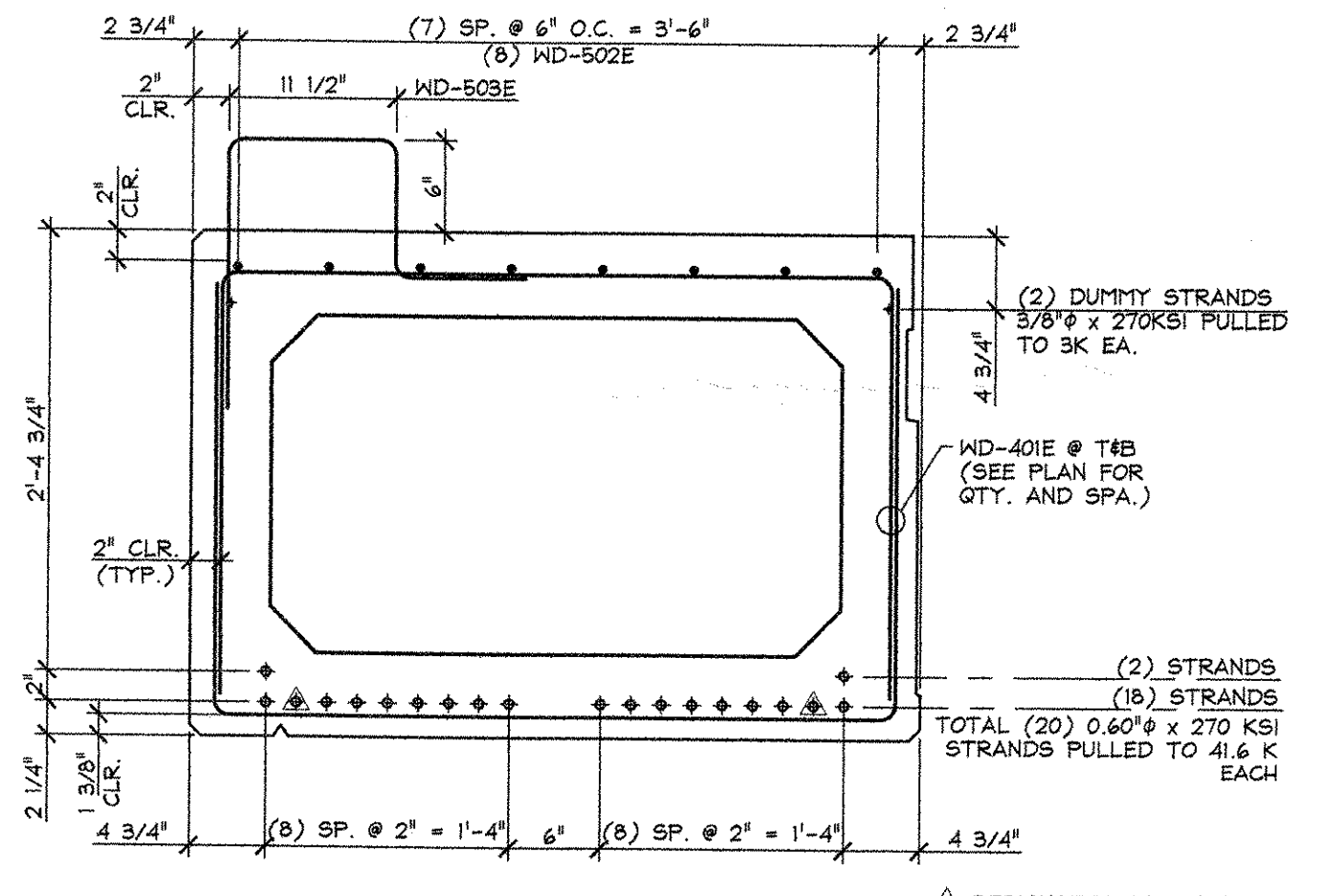
2 ELEVATION VIEW IN FORM
1/4" = 1'-0"



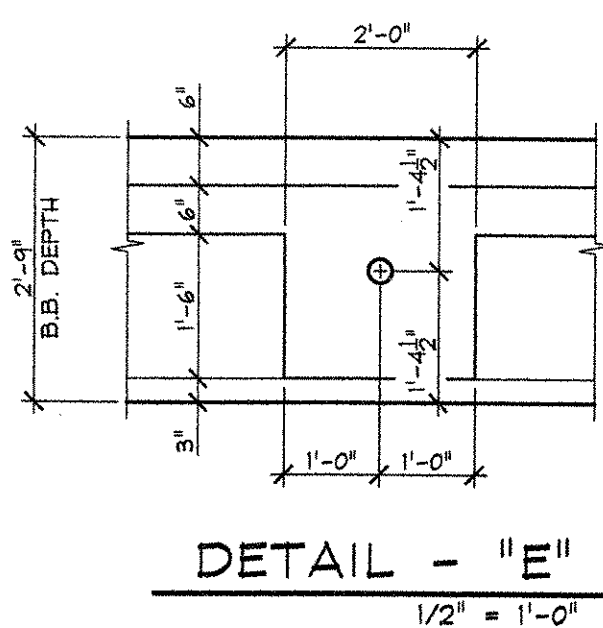
3 REINFORCING PLAN VIEW IN FORM
1/4" = 1'-0"



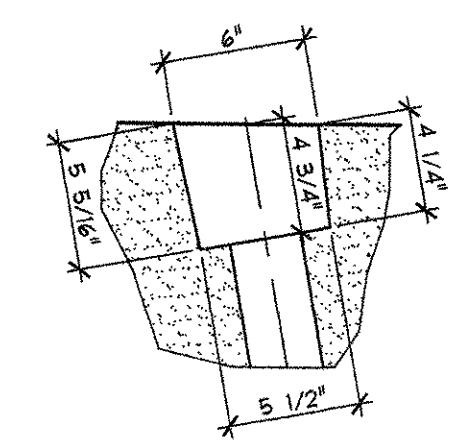
A DIMENSIONAL SECTION
1" = 1'-0"



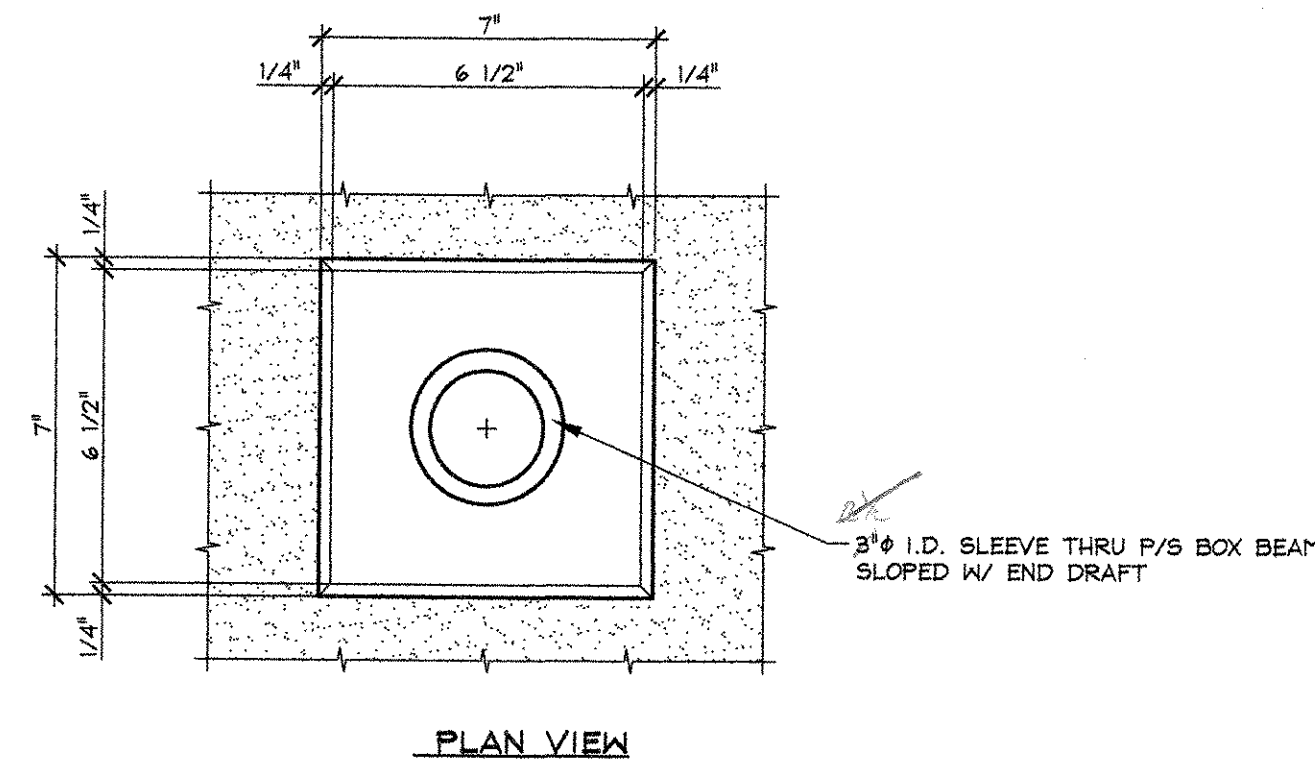
B REINFORCING SECTION
1" = 1'-0"



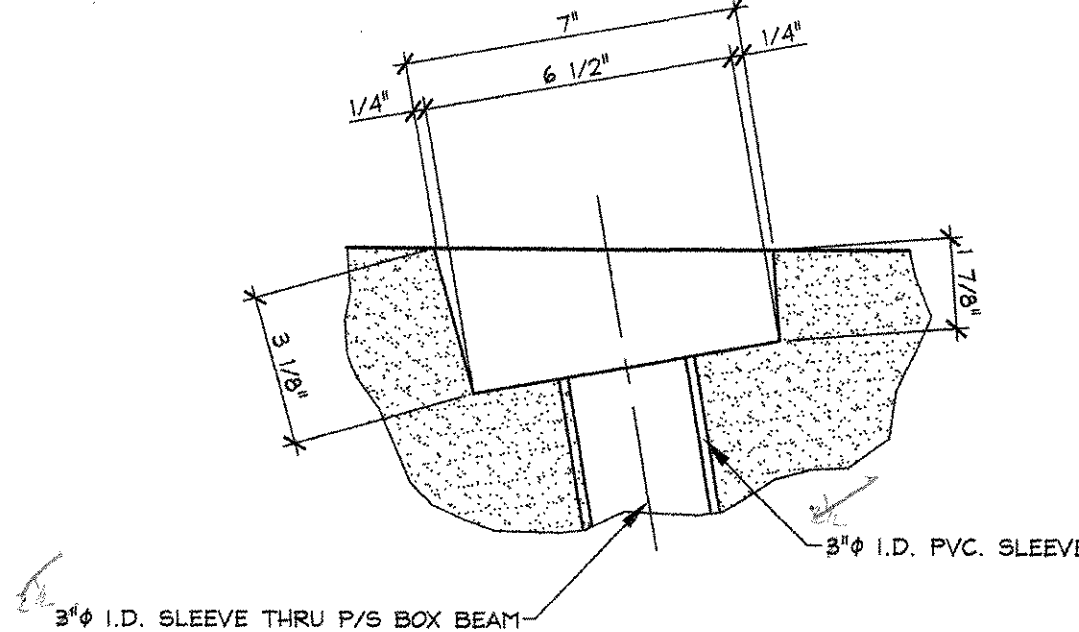
DETAIL - "E"
1/2" = 1'-0"



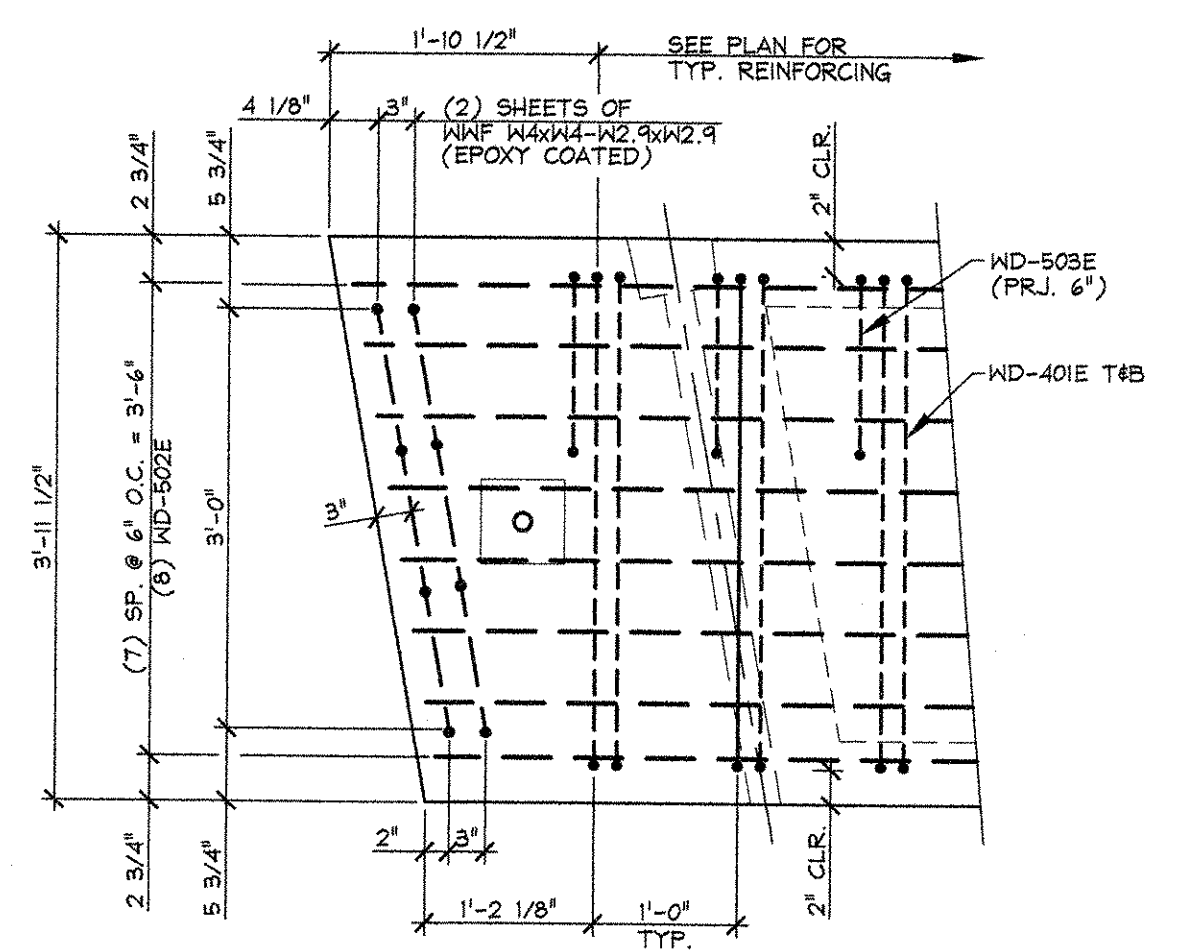
DETAIL - "F"
1 1/2" = 1'-0"



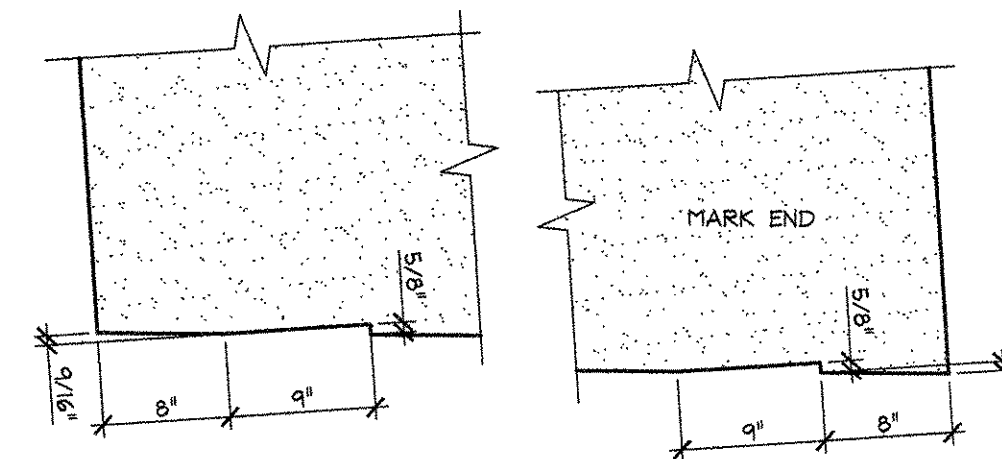
PLAN VIEW



DETAIL - "G"
3" = 1'-0"



D END BLOCK REINFORCING DETAIL
1" = 1'-0"



C BRG. BLOCKOUT DETAILS
1" = 1'-0"

SHOP NOTE:
ADJUST REINFORCING SPACING AS REQUIRED TO CLEAR P.T. SLEEVES, INSERTS, ETC.

MATERIAL LIST / VOIDED BOX BEAM			
ITEM	MARK	DESCRIPTION	QTY.
1	401	#4 BENT BAR (EPOXY COATED)	112
2	502	#5 x 57'-8" (W/ (3) 2'-0" STAGGERED LAPS)	8
3	503	#5 BENT BAR	56
4			
5			
6			
7			
8			
9			
10			
11			
12			
13		WMF W4xW4-W2.9xW2.9 [2'-0" x 3'-0"] (EPOXY COATED)	8
14	MK-P3	DAYTON C-24 TYPE 4-APR PRESS-STEEL PRECAST HALF HANGER (GALV.)	15
15		3'-1 1/2" x 1'-10" x 16'-4 5/16" BOX VOID	3
16		3/4" x 5 1/2" NON-FERROUS VOID DRAINS	6
17		DOUBLE 1/2" STRANDS LIFTING LOOPS	4
18			

APPROVAL STAMP:
RECEIVED
JUL 10 2007
RESUBMIT APPROVED
BY *RW* DATE *7/10/07*

J.P. CARRARA & SONS INC.
Precast & Prestress Manufacturer
2464 OUSE ST., MOULBERRY, VERMONT 05753 Phone:(802)388-6361 Fax:(802)388-9010

J.A. McDONALD, INC.
CONTRACTOR
LYNDON, VERMONT

STATE OF VERMONT A.O.T.
COUNTY OF WINDSOR

TOWN OF SPRINGFIELD
VERMONT ROUTE 11
BRIDGE NO.: 55 PROJECT NO.: ST CULV(5)

DATE: JUNE 20, 2007
SCALE: NOTED
CHKD: D.F. DFTM: T.J.D
JOB NO: 23258-007

BOX BEAM SECTIONS & DETAILS
DWG. NO: **B1**