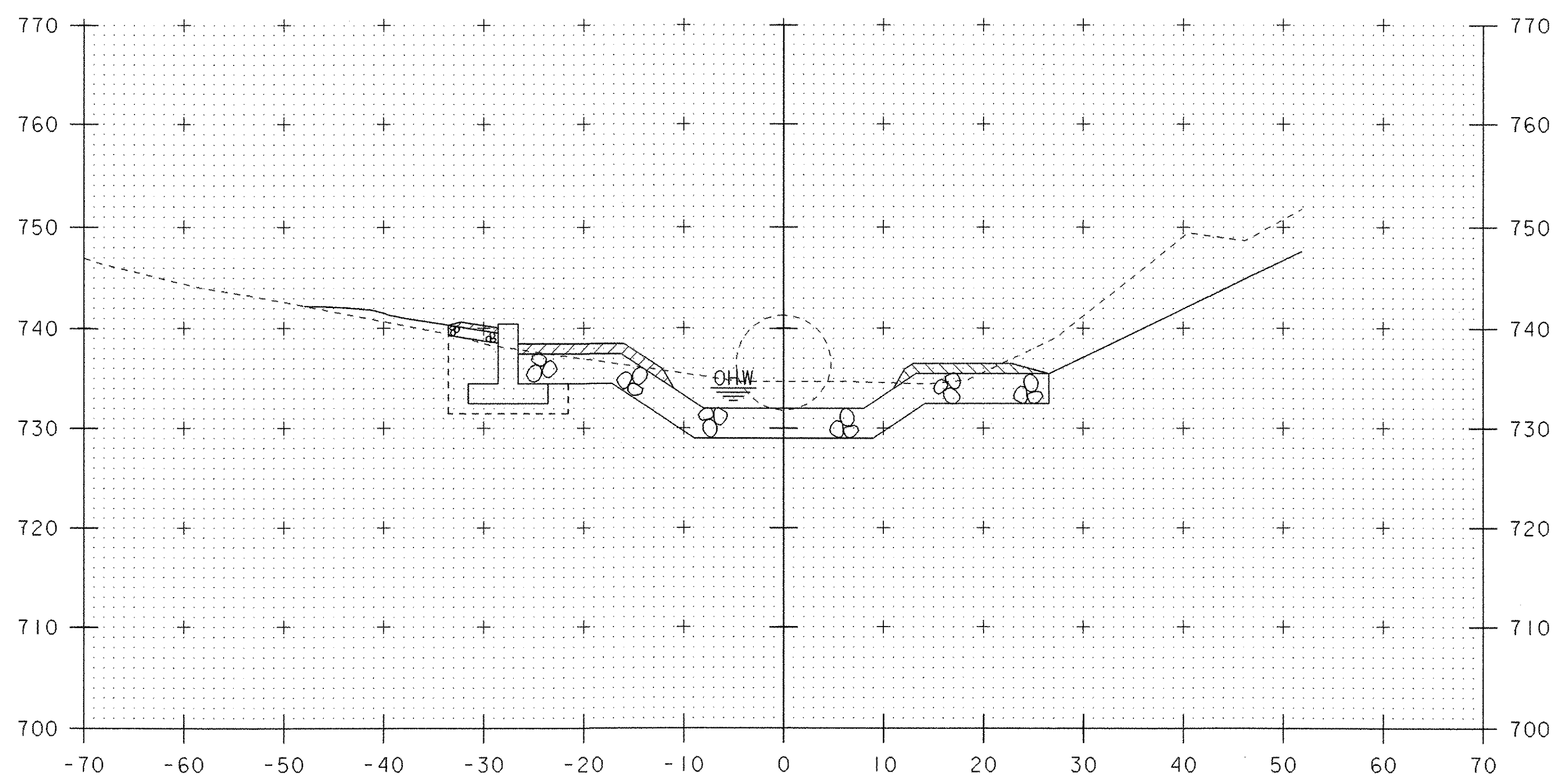
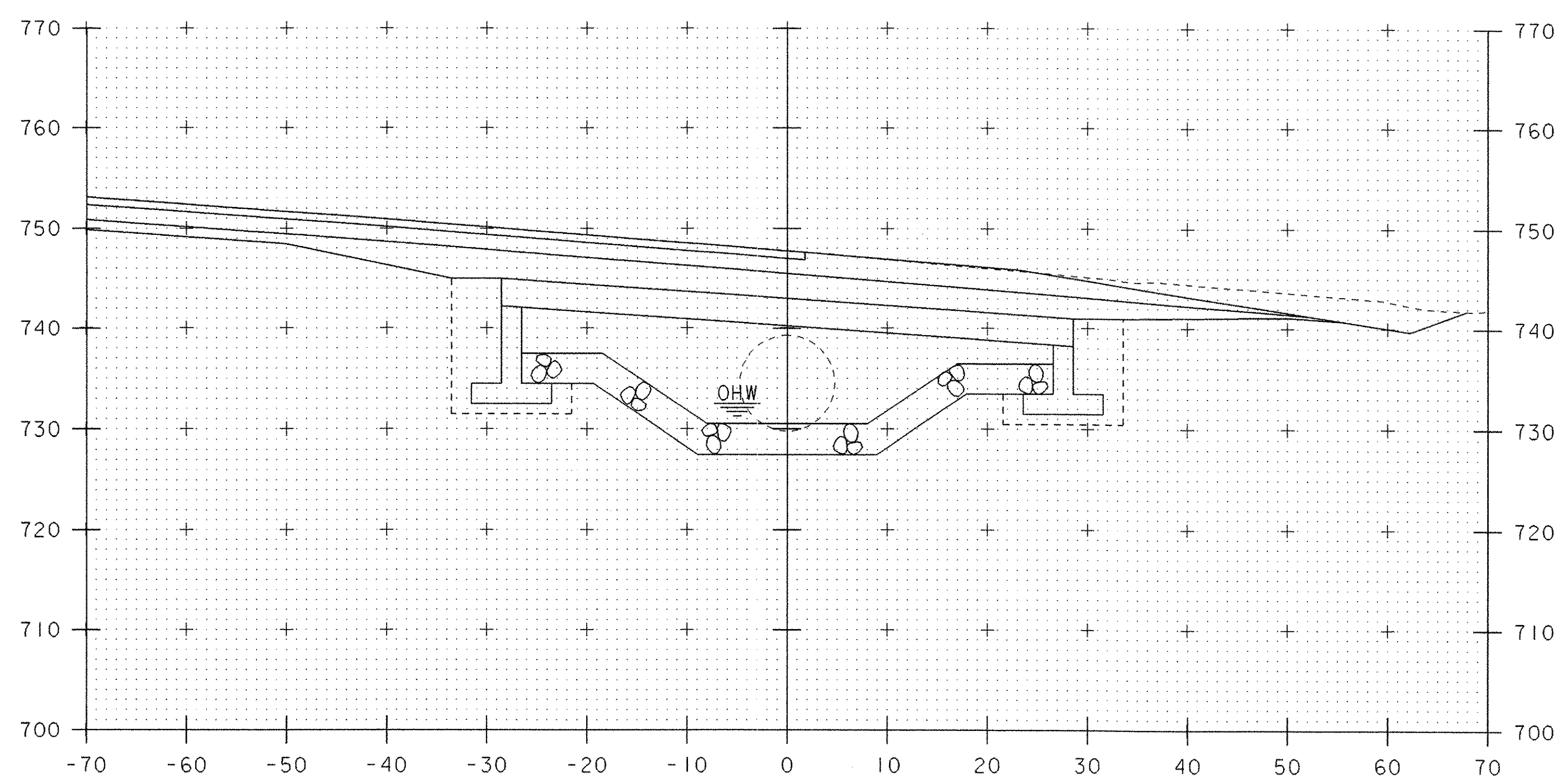


51+30

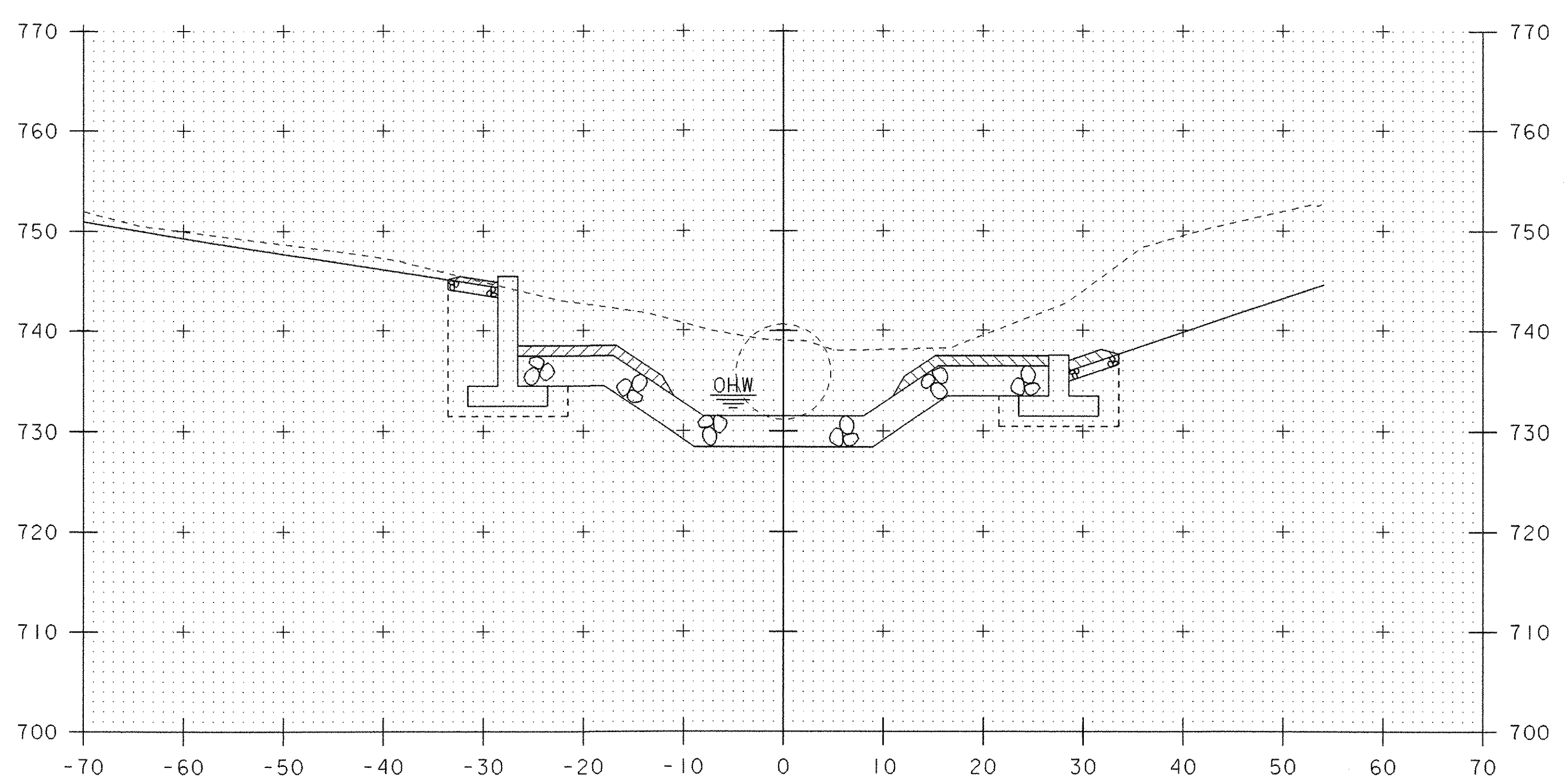


51+50

STA. 51+43.1 RT.
END STRUCTURE EXCAVATION
GRANULAR BACKFILL FOR STRUCTURES



51+20



51+40

CHANNEL CROSS SECTIONS (4)

10 0 10
SCALE: 1" = 10'-0"

PROJECT NAME:	SPRINGFIELD	PLOT DATE:	21-MAY-2007
PROJECT NUMBER:	ST CULV (5)	DRAWN BY:	M. HALE
FILE NAME:	04c178\Structures\s04c178xsl.dgn	CHECKED BY:	D. PETERSON
PROJECT MANAGER:	R. R. WHITCOMB	SHEET	50 OF 52
DESIGNED BY:	J. PERRIGO		
s04c178c04.i			