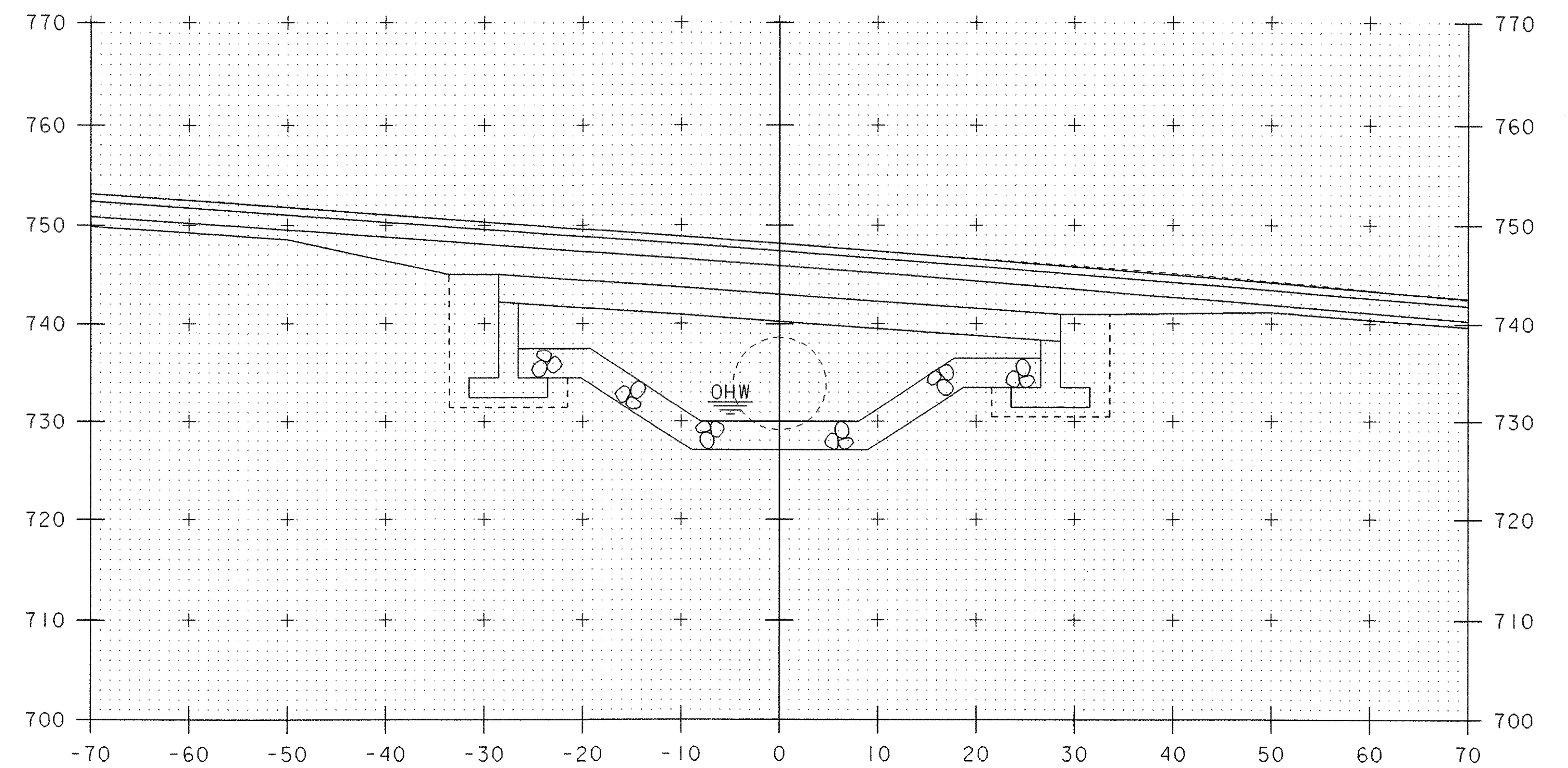
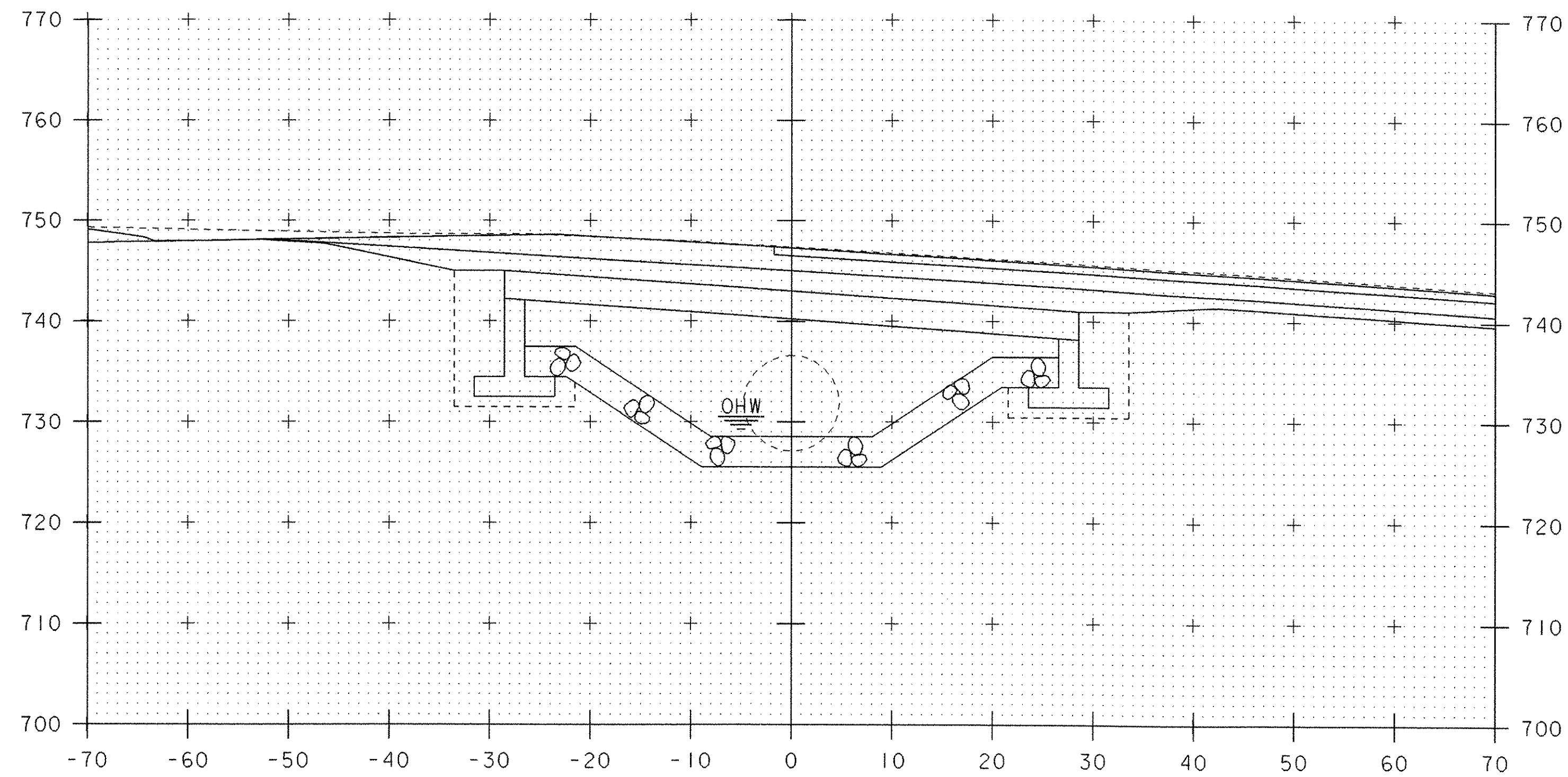


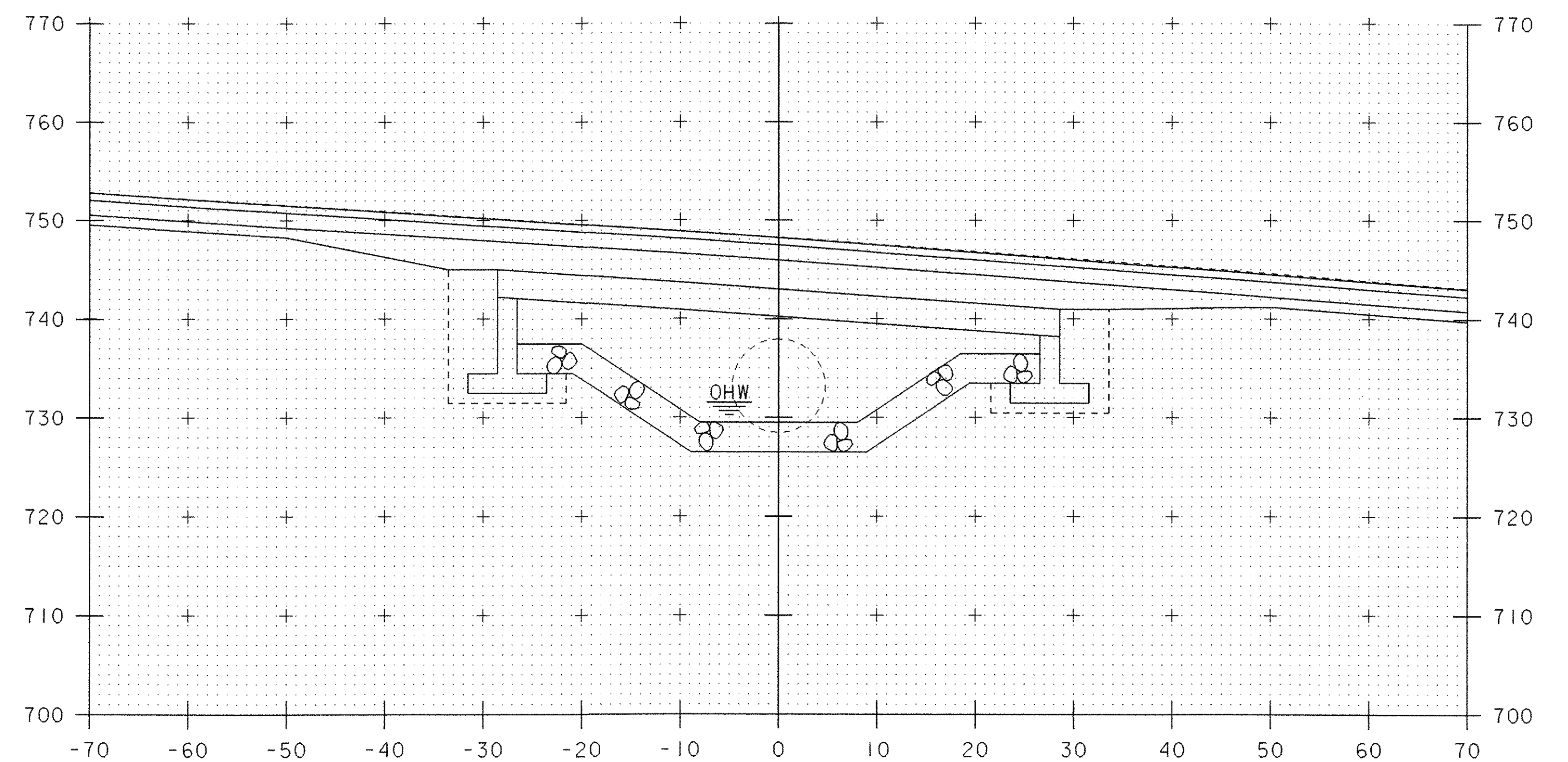
50+90



51+10



50+80



51+00

CHANNEL CROSS SECTIONS (3)

10 0 10
SCALE: 1" = 10'-0"

PROJECT NAME:	SPRINGFIELD	PLOT DATE:	21-MAY-2007
PROJECT NUMBER:	ST CULV (5)	DRAWN BY:	M. HALE
FILE NAME:	04c178\structures\s04c178xs1.dgn	CHECKED BY:	D. PETERSON
PROJECT MANAGER:	R. R. WHITCOMB	SHEET	49 OF 52
DESIGNED BY:	J. PERRIGO		
s04c178c03.i			