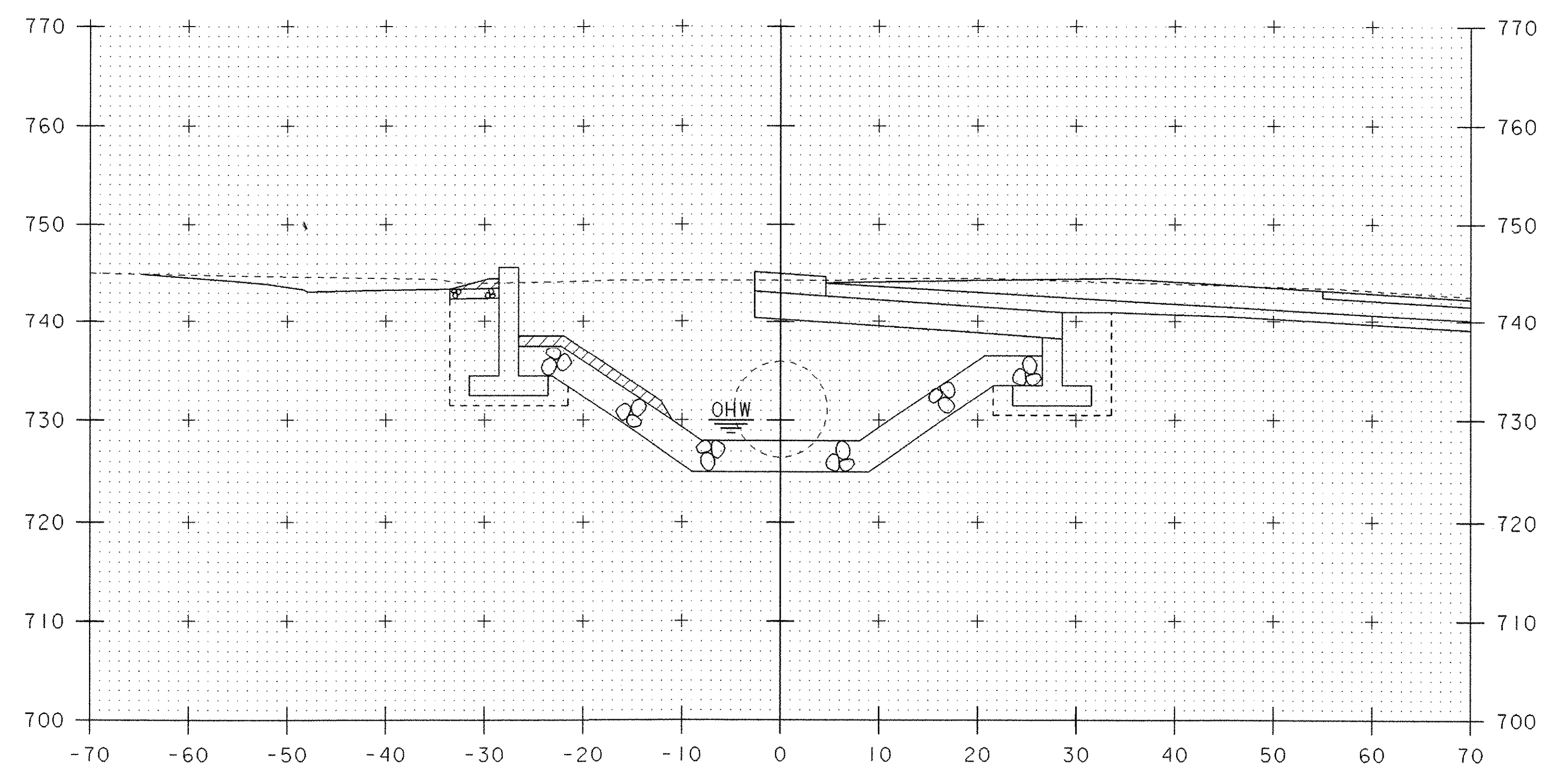
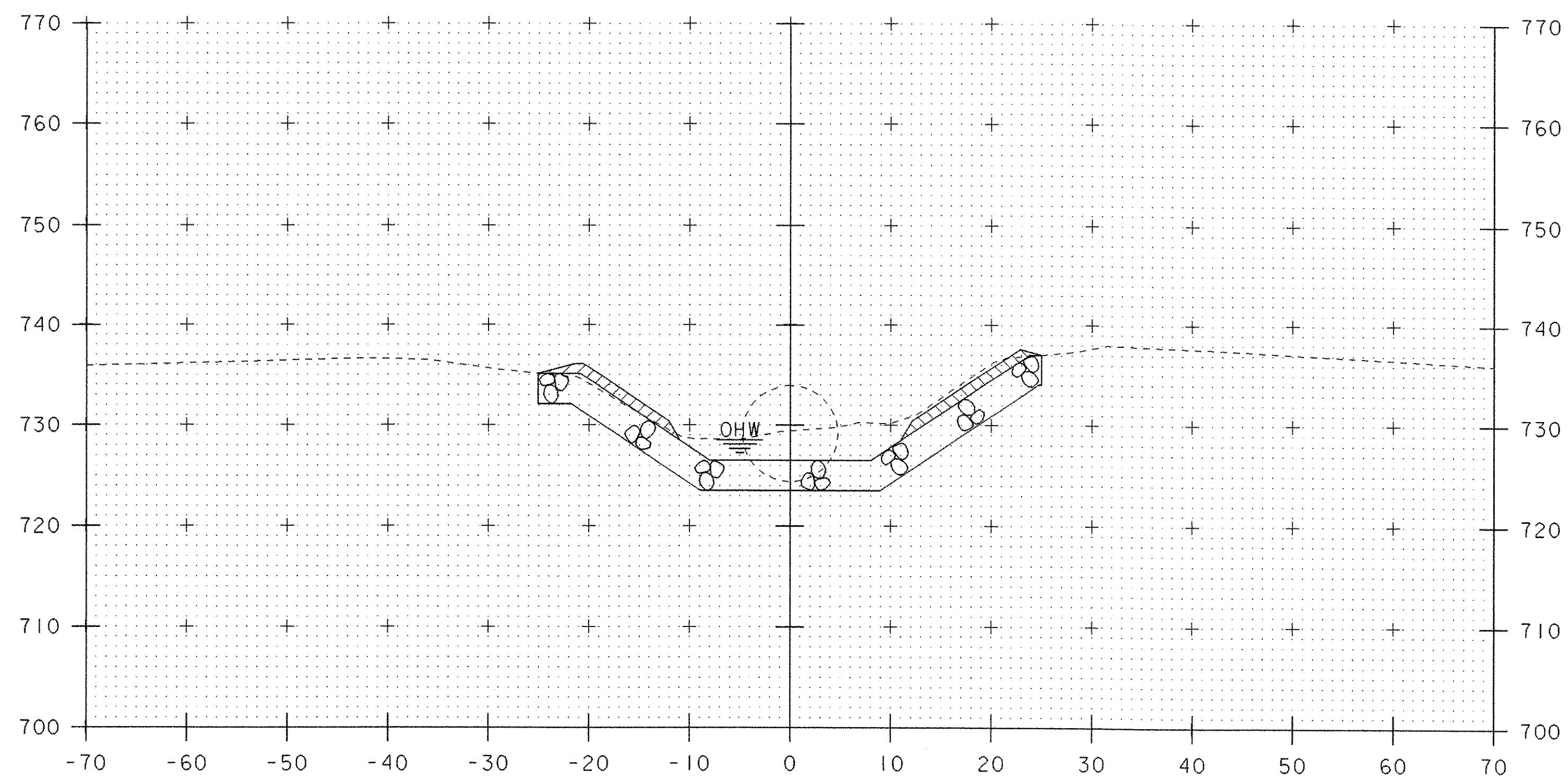


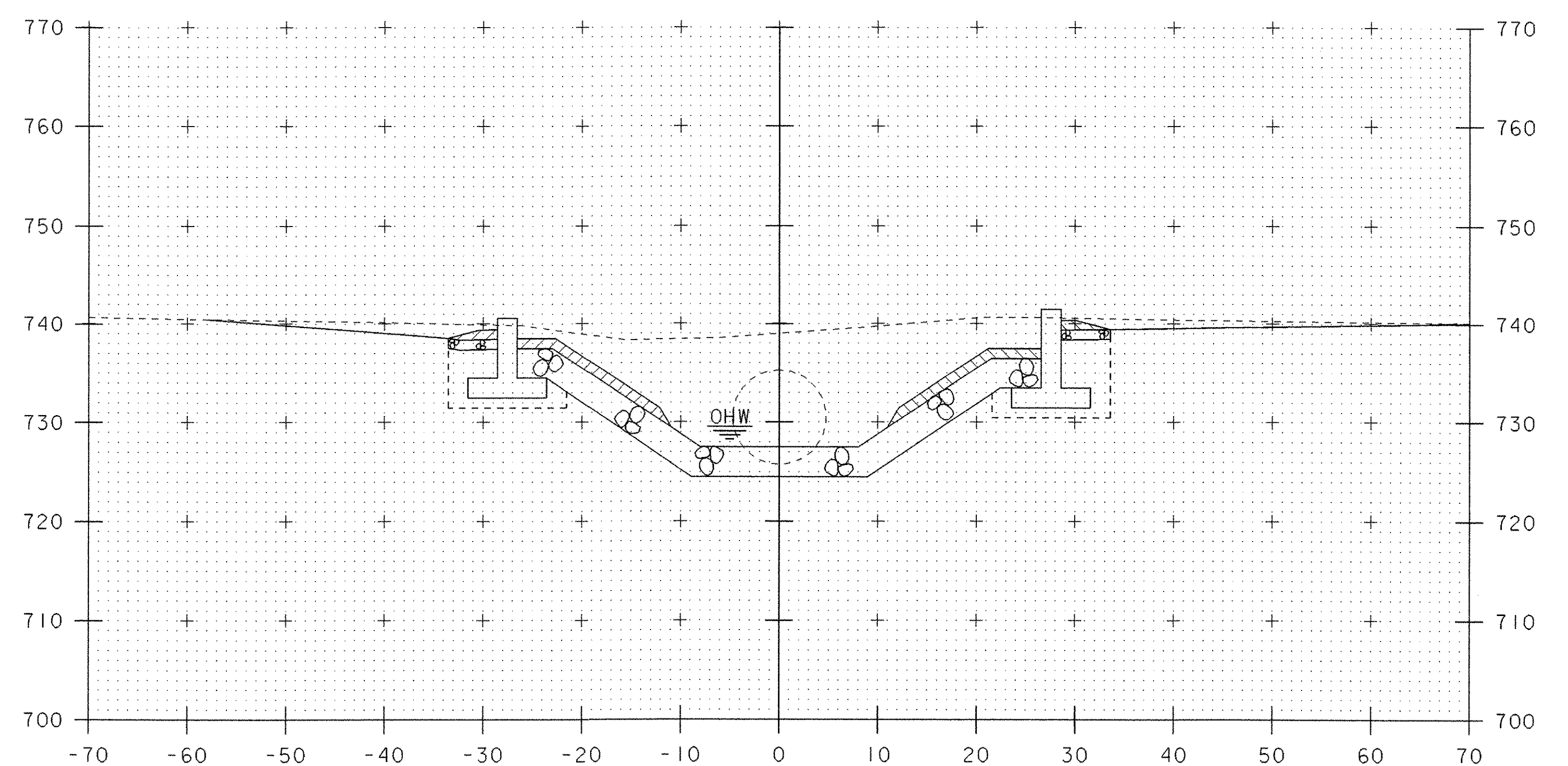
50+50



50+70



50+40



50+60

STA. 50+49.14 RT.  
 BEGIN STRUCTURE EXCAVATION  
 GRANULAR BACKFILL FOR STRUCTURES

STA. 50+52.8 LT.  
 BEGIN STRUCTURE EXCAVATION  
 GRANULAR BACKFILL FOR STRUCTURES

CHANNEL CROSS SECTIONS (2)

10 0 10  
 SCALE: 1" = 10'-0"

PROJECT NAME: SPRINGFIELD	PLOT DATE: 21-MAY-2007
PROJECT NUMBER: ST CULV (5)	DRAWN BY: M. HALE
FILE NAME: 04c178\structures\s04c178xsl.dgn	CHECKED BY: D. PETERSON
PROJECT MANAGER: R. R. WHITCOMB	SHEET 48 OF 52
DESIGNED BY: J. PERRIGO	