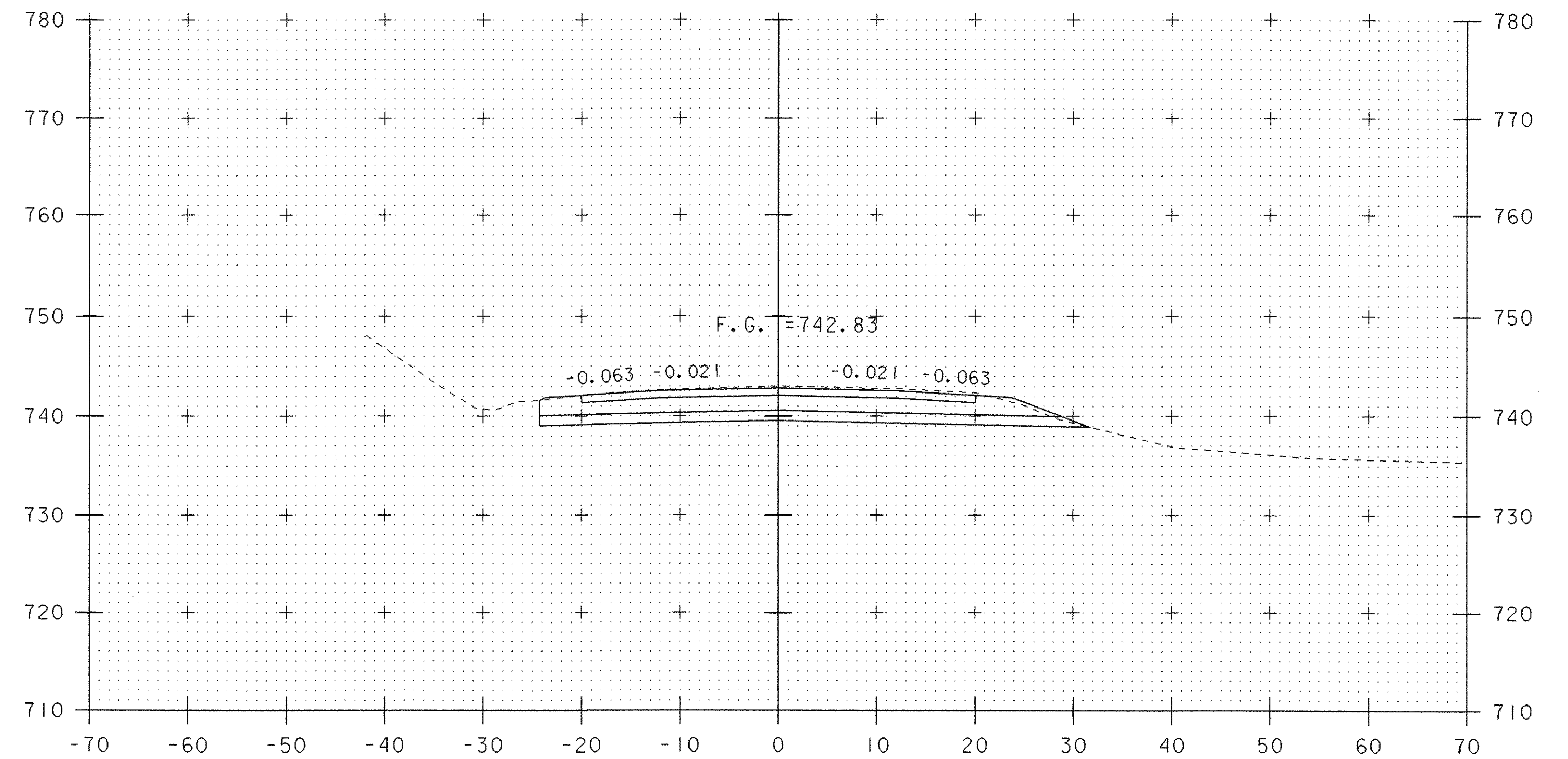
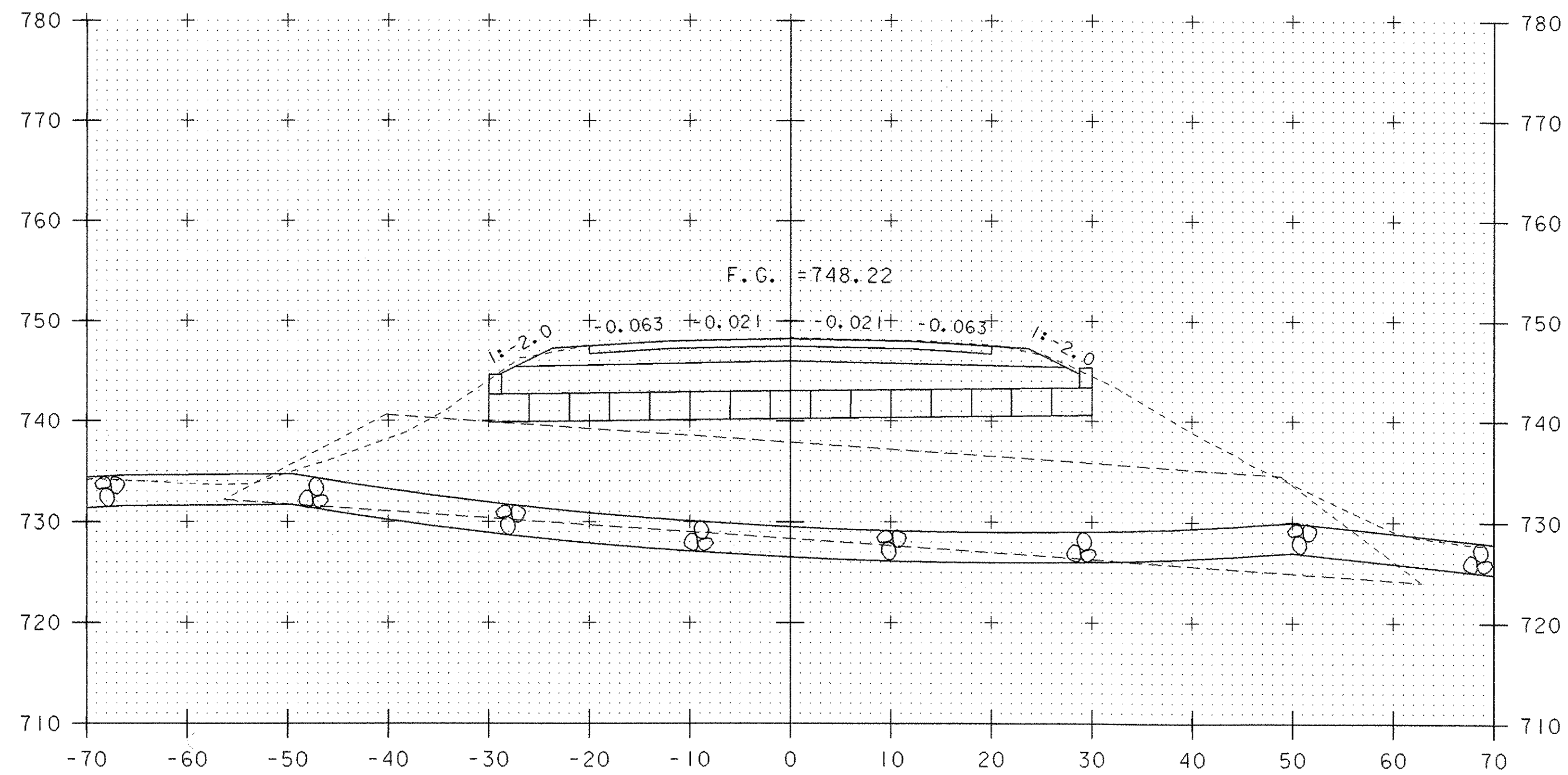


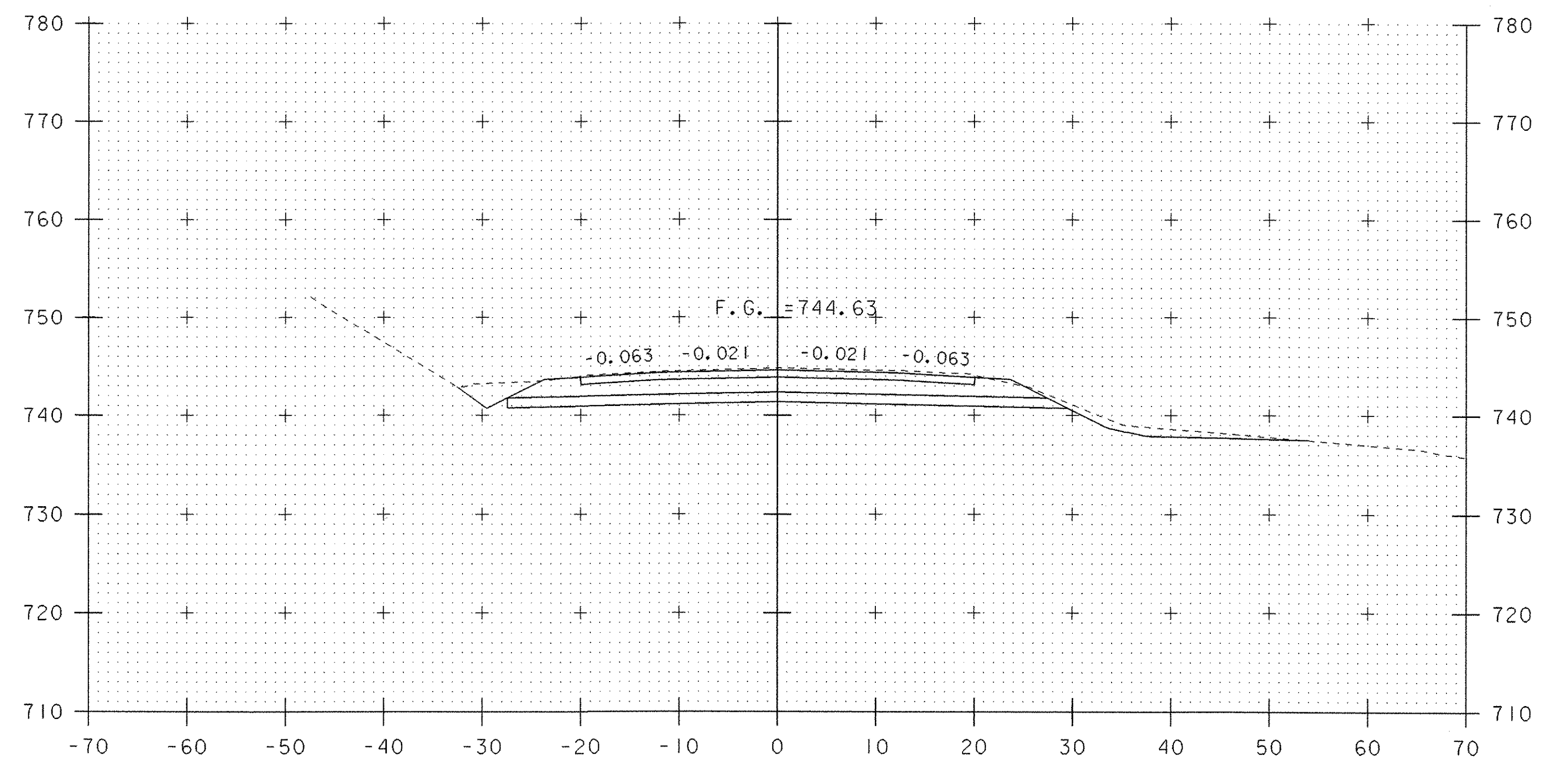
15+25



15+75



15+00



15+50

STA. 15+29.00  
END BRIDGE

10 0 10  
SCALE: 1" = 10'-0"

MAINLINE CROSS SECTIONS (4)

PROJECT NAME:	SPRINGFIELD	PLOT DATE:	21-MAY-2007
PROJECT NUMBER:	ST CULV (5)	DRAWN BY:	M. HALE
FILE NAME:	04c178\Structures\s04c178xsl.dgn	CHECKED BY:	D. PETERSON
PROJECT MANAGER:	R. R. WHITCOMB	SHEET	43 OF 52
DESIGNED BY:	J. PERRIGO		