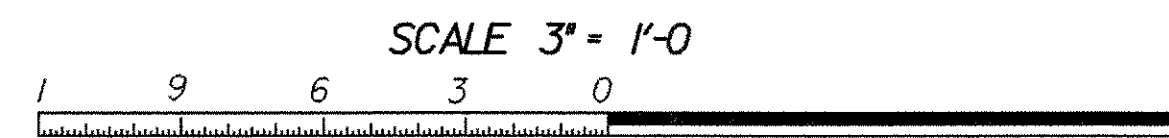
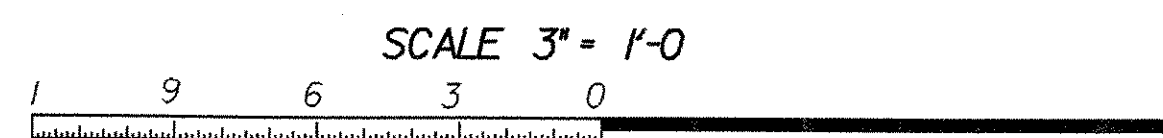


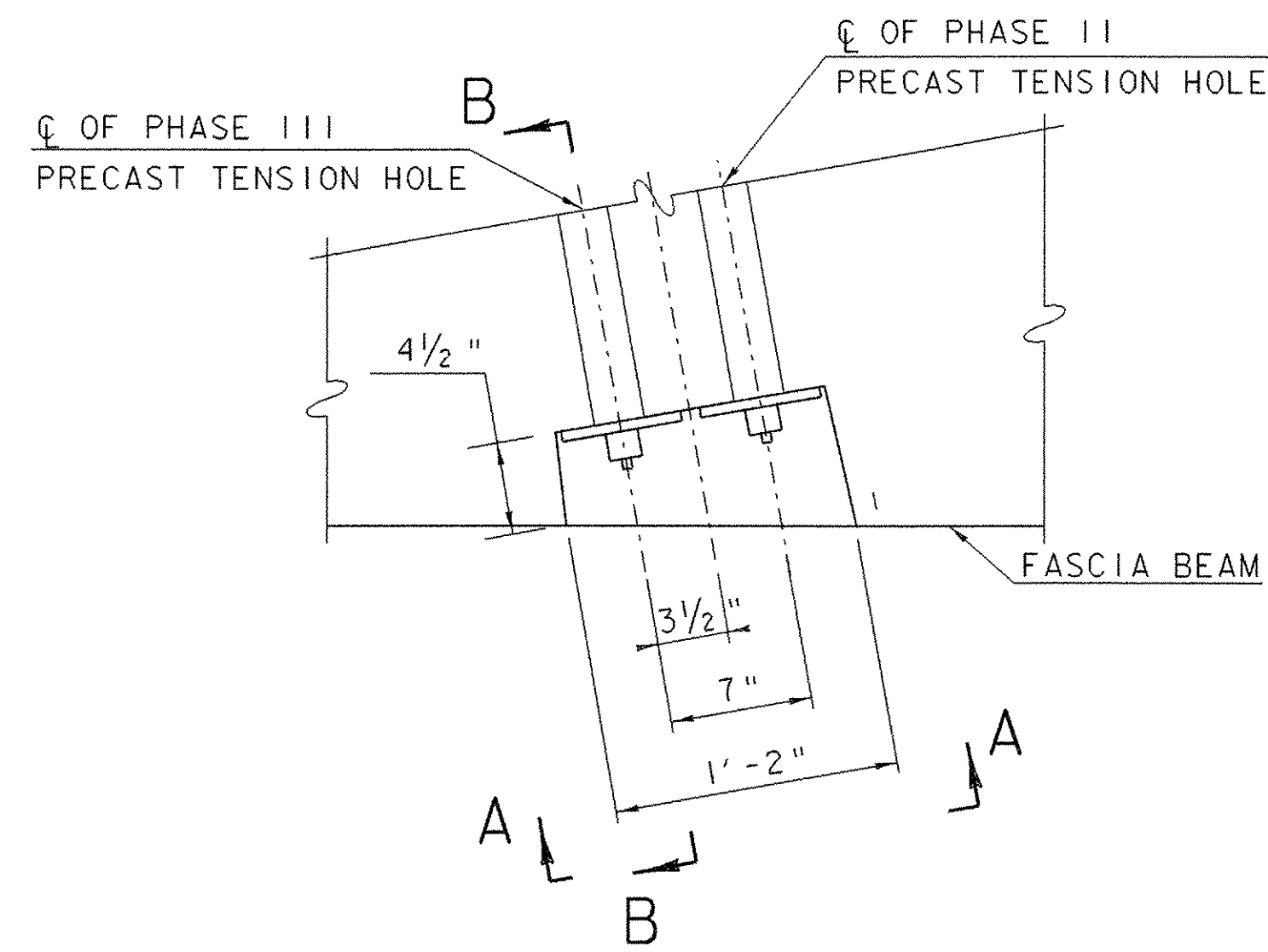
SECTION A-A



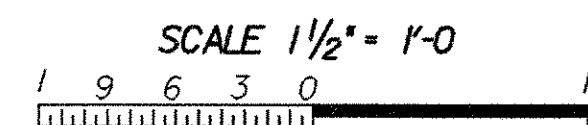
SECTION B-B



NOTES:  
 1/2" x 6" x 6" PLATES SHALL BE PERPENDICULAR TO THE LONGITUDINAL AXIS OF THE TENDON IN ALL PLANES.

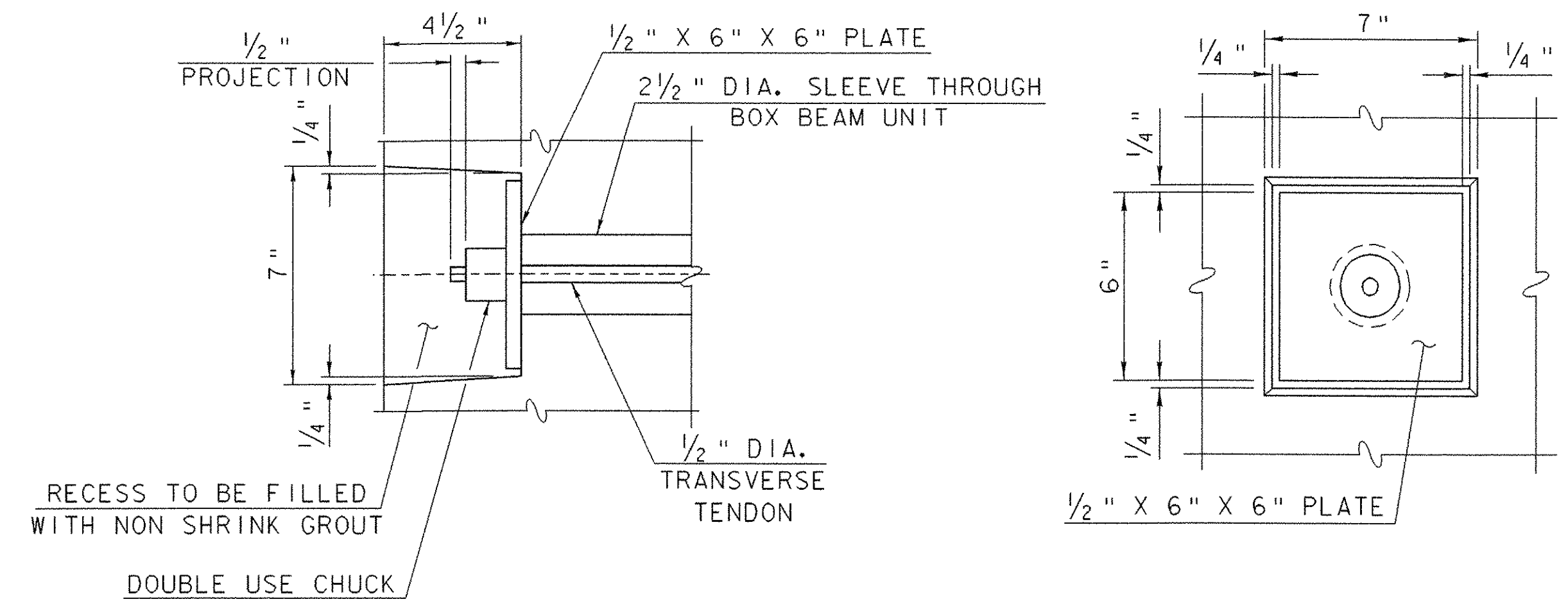


PHASE CONSTRUCTION TRANSVERSE TENDON RECESS

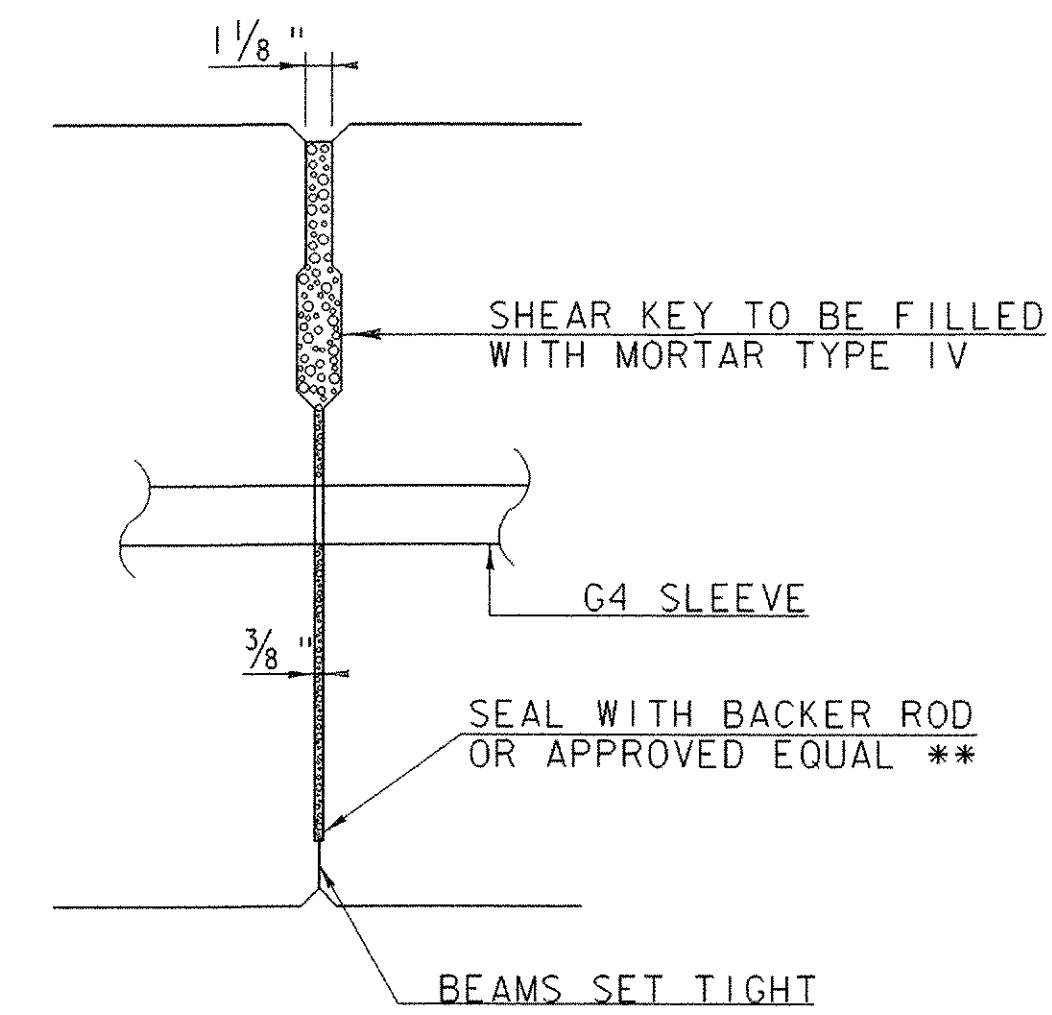
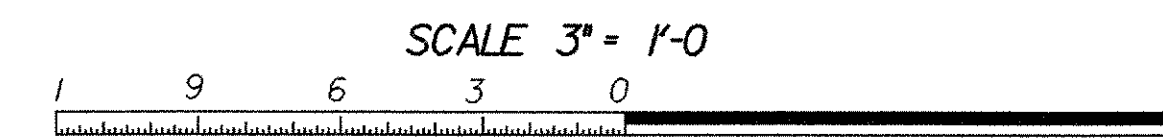


NOTES

1. TRANSVERSE TIES SHALL BE COVERED BY SEAMLESS POLYPROPYLENE SHEATH (WITH CORROSION INHIBITOR GREASE BETWEEN SHEATH AND STRAND) FOR THE LENGTH OF STRAND, EXCEPT AT ANCHORAGE LOCATIONS. TIES SHALL BE TENSIONED TO 30000#.
2. THE 1/2" PLATE SHALL CONFORM TO AASHTO M270 GRADE 50. THE PLATE AND CHUCK SHALL BE GALVANIZED ACCORDING TO AASHTO M111.

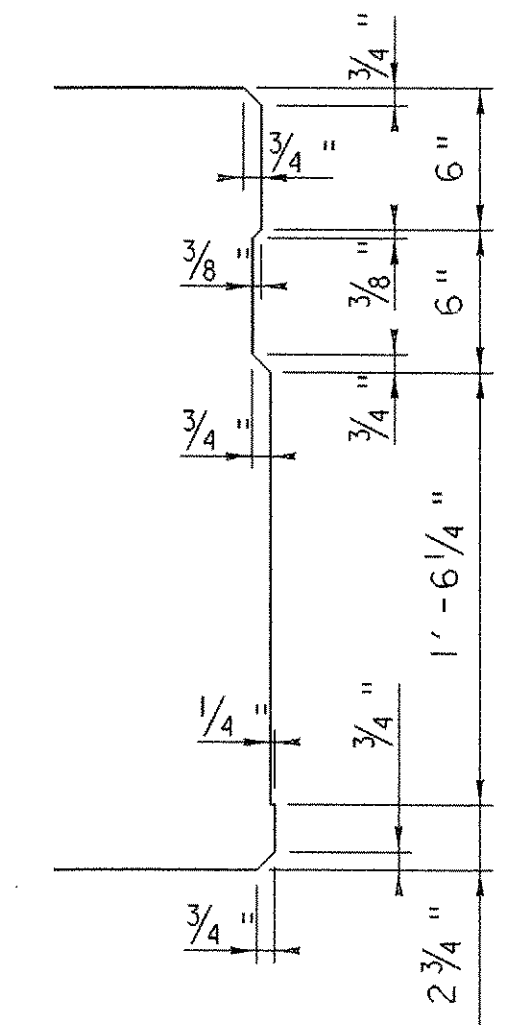
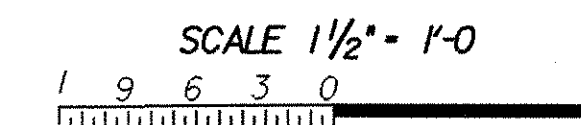


DETAIL "A"

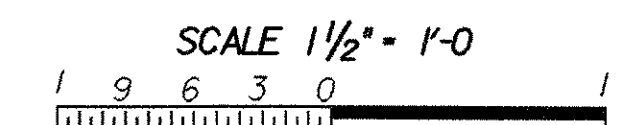


SHEAR KEY SECTION FOR BOX BEAMS

\*\*NOTE: INSTALL AFTER UNITS HAVE BEEN PLACED



SHEAR KEY DETAIL FOR BOX BEAMS



TRANSVERSE TENDON AND SHEAR KEY DETAILS

PROJECT NAME: SPRINGFIELD	PROJECT NUMBER: ST CULV(5)
FILE NAME: /04cl78/str/s04cl78fp.dgn	PLOT DATE: 21-MAY-2007
PROJECT LEADER: R. WHITCOMB	DRAWN BY: D. PETERSON
DESIGNED BY: D. PETERSON	CHECKED BY: W. LAMMER
SHEET 33 OF 52	