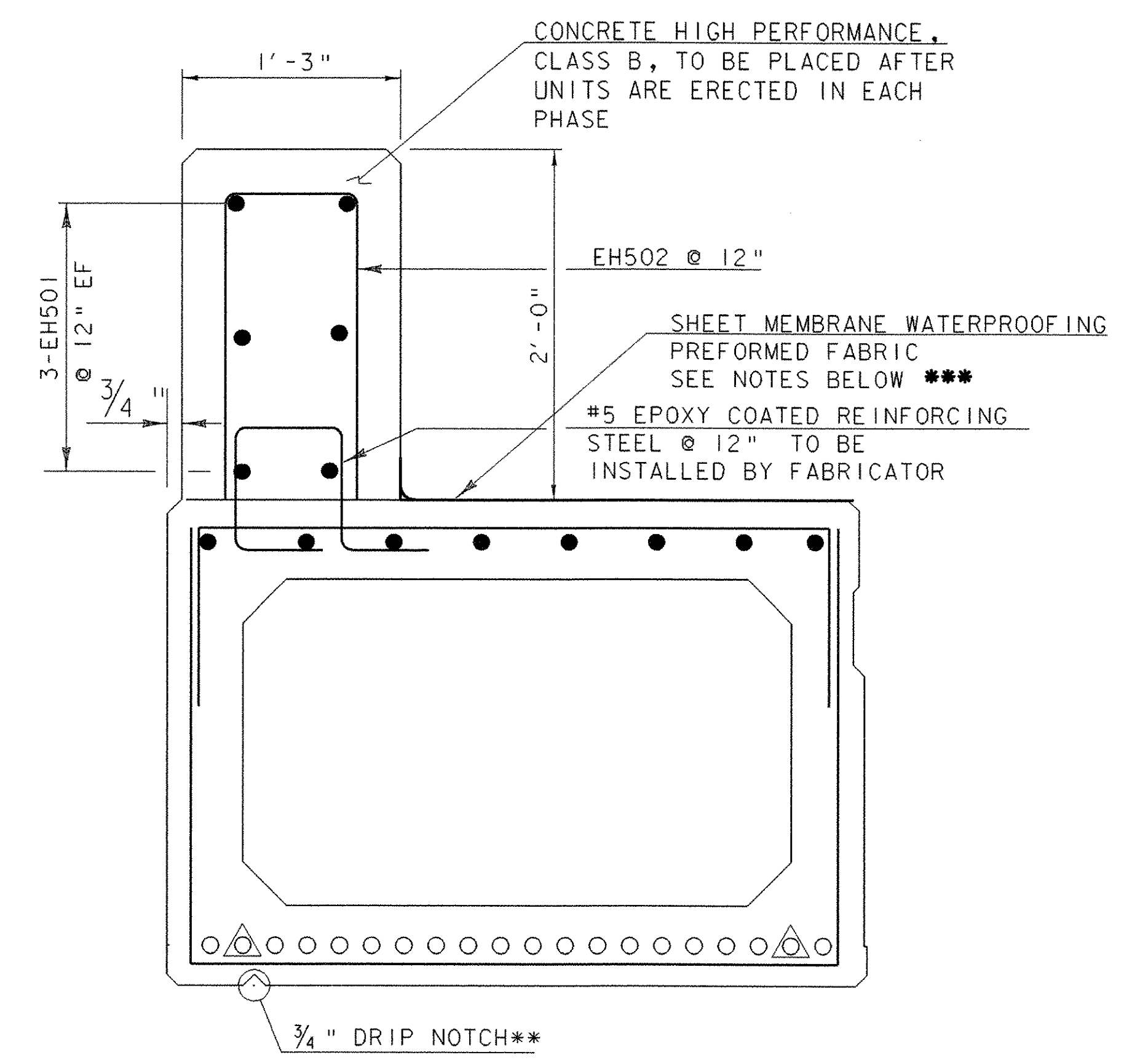


PLAN PRESTRESSED BOX BEAM UNITS

SCALE 1/4" = 1'-0"

1 0 2 4 6



LEFT FASCIA BEAM AND HEADWALL DETAIL (UNIT 1)

(RIGHT FASCIA UNIT 15 IS MIRROR IMAGE OF UNIT 1.)

**STOP DRIP NOTCH 5' -0" FROM ENDS OF UNIT AND OUTLET AT 45° TO FASCIA. DRIP NOTCH ONLY ON FASCIA BEAMS.

*** SHEET MEMBRANE WATERPROOFING NOTES

1. POLYURETHANE MEMBRANE AND BLAST CLEANING SHALL BE INCLUDED IN THE UNIT PRICE BID FOR SHEET MEMBRANE WATERPROOFING.
2. SHEET MEMBRANE WATERPROOFING SHALL EXTEND TO FACE OF HEADWALL.
3. BLAST CLEAN 3 FEET FROM FACE OF HEADWALL AND 3 INCHES UP HEADWALL FACE PRIOR TO PLACING MEMBRANE.
4. TWO COATS OF POLYURETHANE MEMBRANE SHALL BE PLACED 3 INCHES UP THE FACE OF THE HEADWALL AND 4 INCHES ALONG PRESTRESS UNIT.
5. SEE NEXT SHEET FOR ADDITIONAL DETAILS.

DECK DETAILS

PROJECT NAME:	SPRINGFIELD	PLOT DATE:	21-MAY-2007
PROJECT NUMBER:	ST CULV(5)	DRAWN BY:	D. PETERSON
FILE NAME:	/04cl78/str/s04cl78fp.dgn	CHECKED BY:	W. LAMMER
PROJECT LEADER:	R. WHITCOMB	SHEET	31 OF 52
DESIGNED BY:	D. PETERSON		