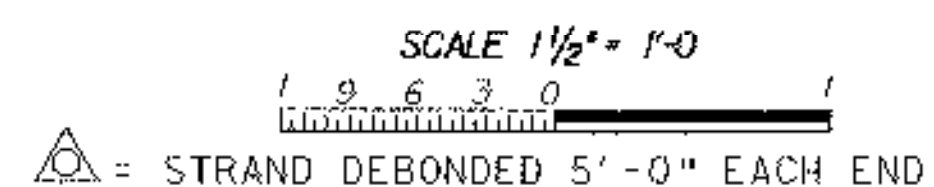


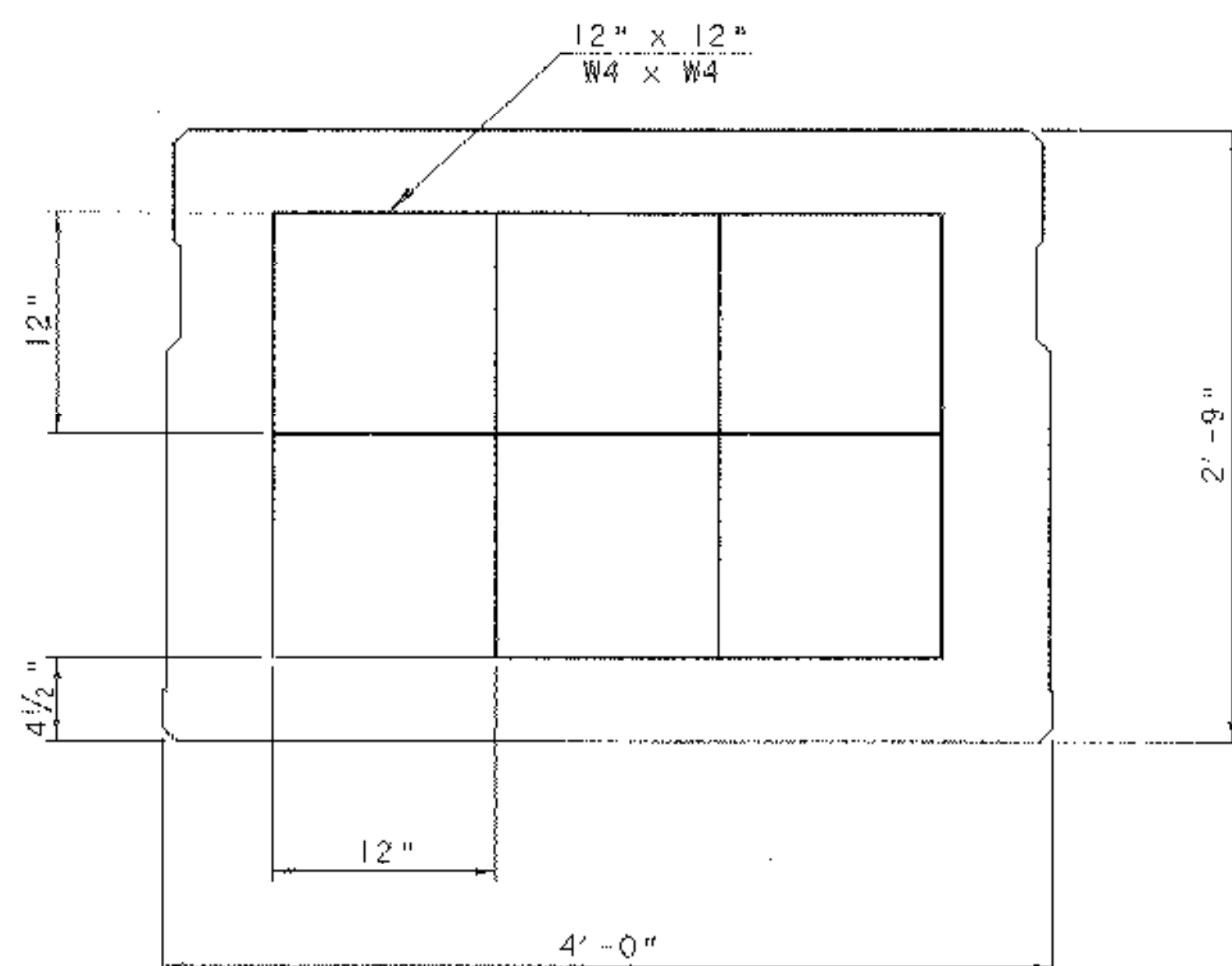
33" X 48" BOX BEAM



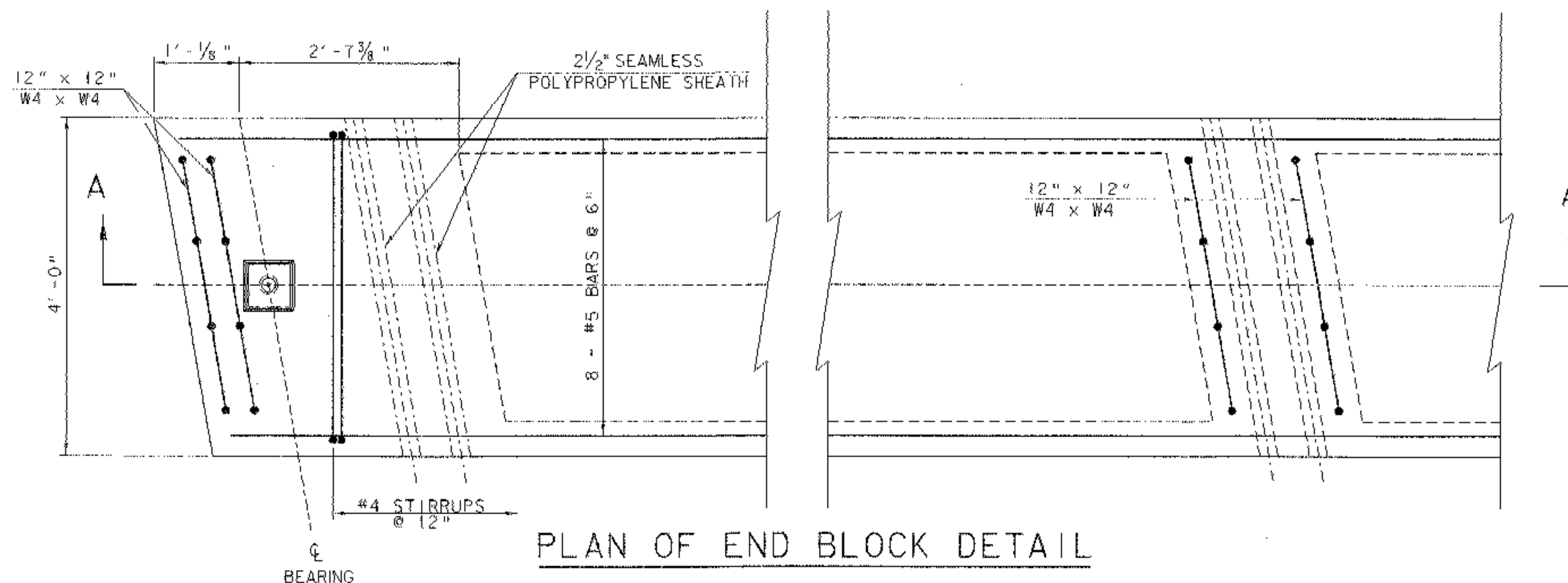
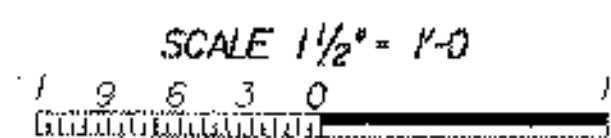
MAX NUMBER OF STRANDS FOR 33" X 48" BEAM

ROW*	NO. OF STRANDS
1 @ 2 1/4"	20 STRANDS

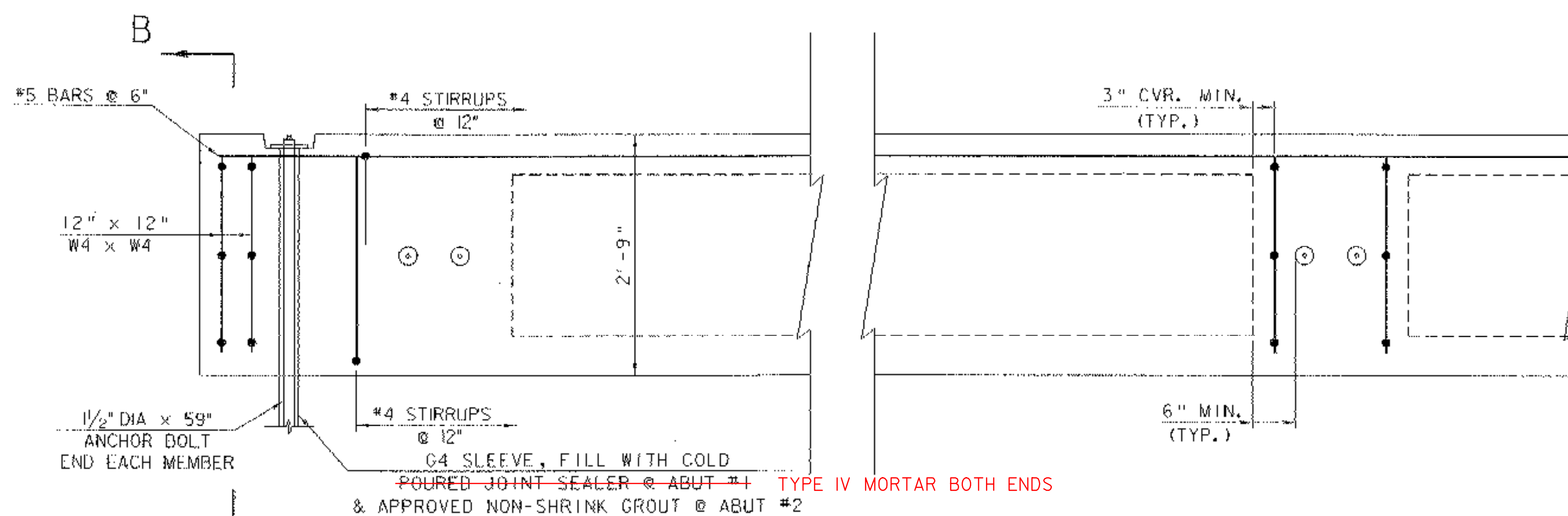
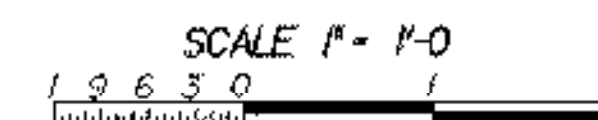
\* ROWS ARE ALWAYS AT SPECIFIED DISTANCES FROM BOTTOM OF UNIT



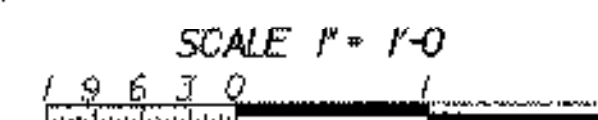
SECTION B-B



PLAN OF END BLOCK DETAIL



BOX BEAM SECTION A-A



SERVICE LOADS - FINAL CONDITION

PRESTRESSED CONCRETE BOX BEAM	33" X 48"
MEMBER MOMENT	307 FT KIP
DEAD LOAD MOMENT (W/OUT MEMBER MOMENT)	1098 FT KIP
LIVE LOAD MOMENT	235 FT KIP
DEAD LOAD REACTION	101 KIP
LIVE LOAD REACTION	17 KIP
CAMBER UNDER DEAD LOADS AT ERECTION	0.5T IN
CAMBER UNDER DEAD LOADS AT LONG TERM	-1.7 IN

NOTES:  
SEE SHEET 31 FOR FASCIA BEAM DETAILS.

SUPERSTRUCTURE DETAILS  
33" X 48" BOX BEAM

PROJECT NAME: SPRINGFIELD  
PROJECT NUMBER: ST CULV(5)

FILE NAME: /04cf78/str/s04cf78fp.dgn  
PROJECT LEADER: R. WHITCOMB  
DESIGNED BY: D. PETERSON

PLOT DATE: 21-MAY-2007  
DRAWN BY: D. PETERSON  
CHECKED BY: W. LAMMER  
SHEET 30 OF 52