

**CONSTRUCTION SPECIFICATIONS**

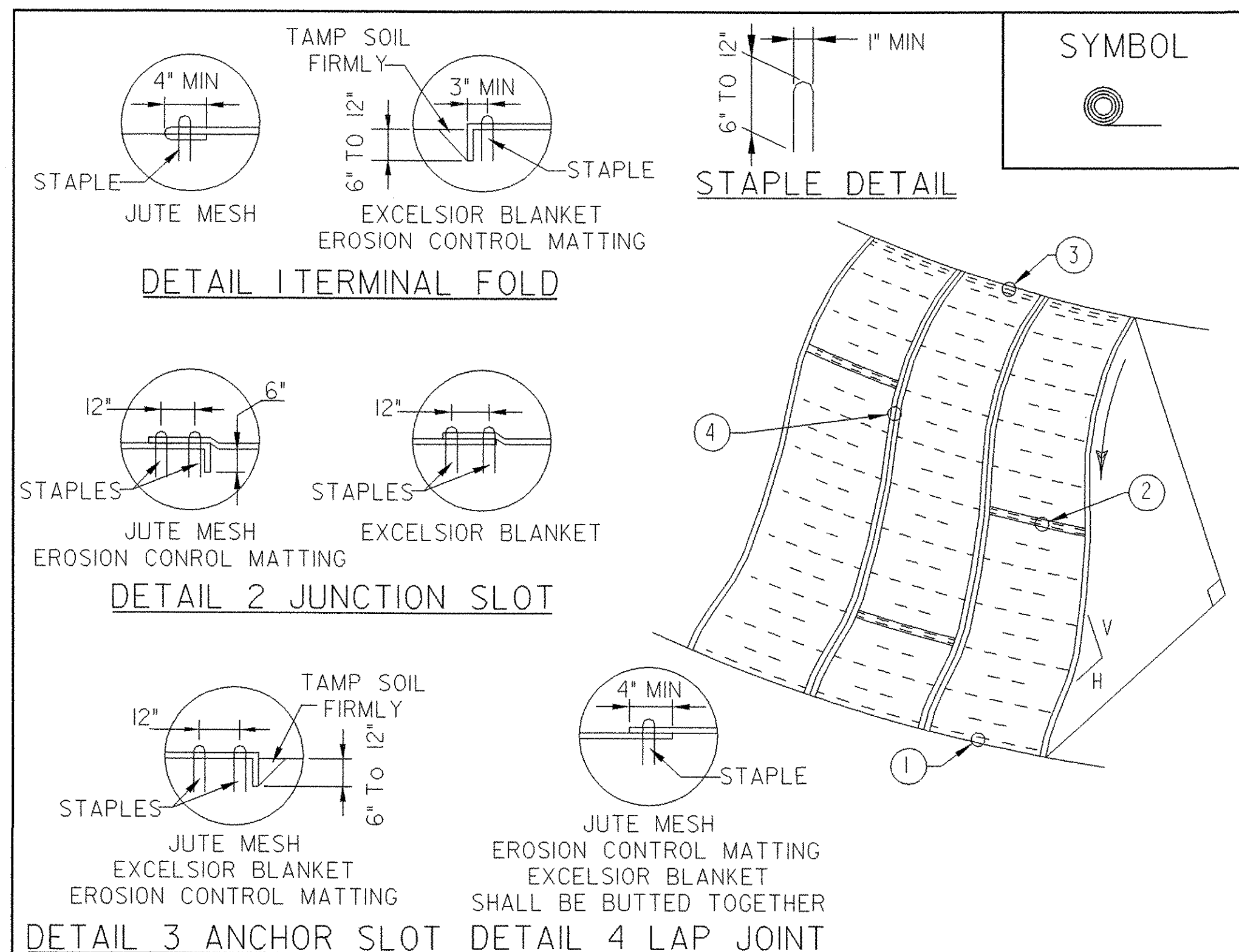
1. EROSION MATTING, CHECK SLOTS, SHALL BE SPACED IN DITCH CHANNEL SO THAT ONE OCCURS WITHIN EACH 50' ON SLOPES OF MORE THAN 4% AND LESS THAN 6%. ON SLOPES OF 6% OR MORE, THEY SHALL BE SPACED SO THAT ONE OCCURS WITHIN EACH 25'.
2. APPLY FERTILIZER, LIME SEED PRIOR TO PLACING MATTING.
3. STAPLES ARE TO BE PLACED ALTERNATELY, IN COLUMNS APPROXIMATELY 2' APART AND IN ROWS APPROXIMATELY 3' APART. APPROXIMATELY 175 STAPLES ARE REQUIRED PER 4'X225' ROLL OF MATERIAL AND 125 STAPLES ARE REQUIRED PER 4'X150' ROLL OF MATERIAL.
4. DISTURBED AREAS SHALL BE SMOOTHLY GRADED. EROSION CONTROL MATERIAL SHALL BE PLACED LOOSELY OVER GROUND SURFACE. DO NOT STRETCH.
5. ALL TERMINAL ENDS AND TRANSVERSE LAPS SHALL BE STAPLED AT APPROXIMATELY 12" INTERVALS.

ADAPTED FROM DETAILS PROVIDED BY: ILLINOIS USDA-NRCS  
 ORIGINALLY DEVELOPED BY USDA-NRCS  
 VERMONT DEPARTMENT OF ENVIRONMENTAL CONSERVATION

**ROLLED EROSION CONTROL PRODUCT (RECP) DITCH**

NOTES:  
 REFER TO "THE VERMONT STANDARDS & SPECIFICATIONS FOR EROSION PREVENTION & SEDIMENT CONTROL -2006-" FROM THE VT AGENCY OF NATURAL RESOURCES FOR ADDITIONAL GUIDANCE.  
 THIS ITEM SHALL BE PAID FOR UNDER ITEM  
 653.20 TEMPORARY EROSION MATTING OR  
 653.21 PERMANENT EROSION MATTING

REVISIONS	
MARCH 8, 2007	JMF
APRIL 16, 2007	WHF



**CONSTRUCTION SPECIFICATIONS**

1. APPLY TO SLOPES GREATER THAN 3H:1V OR WHERE NECESSARY TO AID IN ESTABLISHING VEGETATION.
2. APPLY FERTILIZER, LIME AND SEED PRIOR TO PLACING MATTING.
3. STAPLES ARE TO BE PLACED ALTERNATELY, IN COLUMNS APPROXIMATELY 2' APART AND IN ROWS APPROXIMATELY 3' APART. APPROXIMATELY 175 STAPLES ARE REQUIRED PER 4'X225' ROLL OF MATERIAL AND 125 STAPLES ARE REQUIRED PER 4'X150' ROLL OF MATERIAL.
4. DISTURBED AREAS SHALL BE SMOOTHLY GRADED. EROSION CONTROL MATERIAL SHALL BE PLACED LOOSELY OVER GROUND SURFACE. DO NOT STRETCH.
5. ALL TERMINAL ENDS AND TRANSVERSE LAPS SHALL BE STAPLED AT APPROXIMATELY 12" INTERVALS.

ADAPTED FROM DETAILS PROVIDED BY: ILLINOIS USDA-NRCS  
 ORIGINALLY DEVELOPED BY USDA-NRCS  
 VERMONT DEPARTMENT OF ENVIRONMENTAL CONSERVATION

**ROLLED EROSION CONTROL PRODUCT (RECP) SIDE SLOPE**

NOTES:  
 REFER TO "THE VERMONT STANDARDS & SPECIFICATIONS FOR EROSION PREVENTION & SEDIMENT CONTROL -2006-" FROM THE VT AGENCY OF NATURAL RESOURCES FOR ADDITIONAL GUIDANCE.  
 THIS ITEM SHALL BE PAID FOR UNDER ITEM  
 653.20 TEMPORARY EROSION MATTING OR  
 653.21 PERMANENT EROSION MATTING

REVISIONS	
NEW	
APRIL 16, 2007	WHF

**SEEDING FORMULA  
 RURAL AREAS**

% WT.	LBS./A.	NAME	PUR %	GERM %
37.5	22.5	CREeping RED FESCUE	98	85
37.5	22.5	TALL FESCUE	95	90
5.0	3.0	RED TOP	95	90
15.0	9.0	BIRDSFOOT TREFOIL	98	85
5.0	3.0	ANNUAL RYEGRASS	95	85
100.0	60.0			

**GENERAL NOTES**

- SEED MIXTURE: SHALL NOT HAVE A WEED CONTENT EXCEEDING 0.40% BY WEIGHT AND SHALL BE FREE OF ALL NOXIOUS SEED.
- SEED: TO BE APPLIED PER SEEDING FORMULAS OR AS DIRECTED BY THE ENGINEER.
- FERTILIZER: FORMULA 10-20-10, TO BE USED WITH SEED, APPLIED AT THE RATE OF 500 LBS./ACRE. (HYDRO SEEDERS MAY USE 19-19-19 FORMULA).
- AGRICULTURAL LIMESTONE: TO BE APPLIED AT THE RATE OF 2 TONS/ACRE, OR AS DIRECTED BY THE ENGINEER.
- HAY MULCH: TO BE PLACED ON EARTH SLOPES AT THE RATE OF 2 TONS/ACRE, OR AS DIRECTED BY THE ENGINEER.
- TOPSOIL: TO BE USED WITH SEED AS INDICATED ON THE PLANS, OR AS DIRECTED BY THE ENGINEER.

**EROSION PREVENTION &  
 SEDIMENT CONTROL DETAILS**

PROJECT NAME:	SPRINGFIELD
PROJECT NUMBER:	ST CULV(5)
FILE NAME:	/04ci78/str/s04ci78ecbdr.dgn
PROJECT LEADER:	R. WHITCOMB
DESIGNED BY:	D. BONNEAU
s04ci78ec07.1	
PLOT DATE:	21-MAY-2007
DRAWN BY:	M. HALE
CHECKED BY:	C. CARLSON
SHEET	25 OF 52