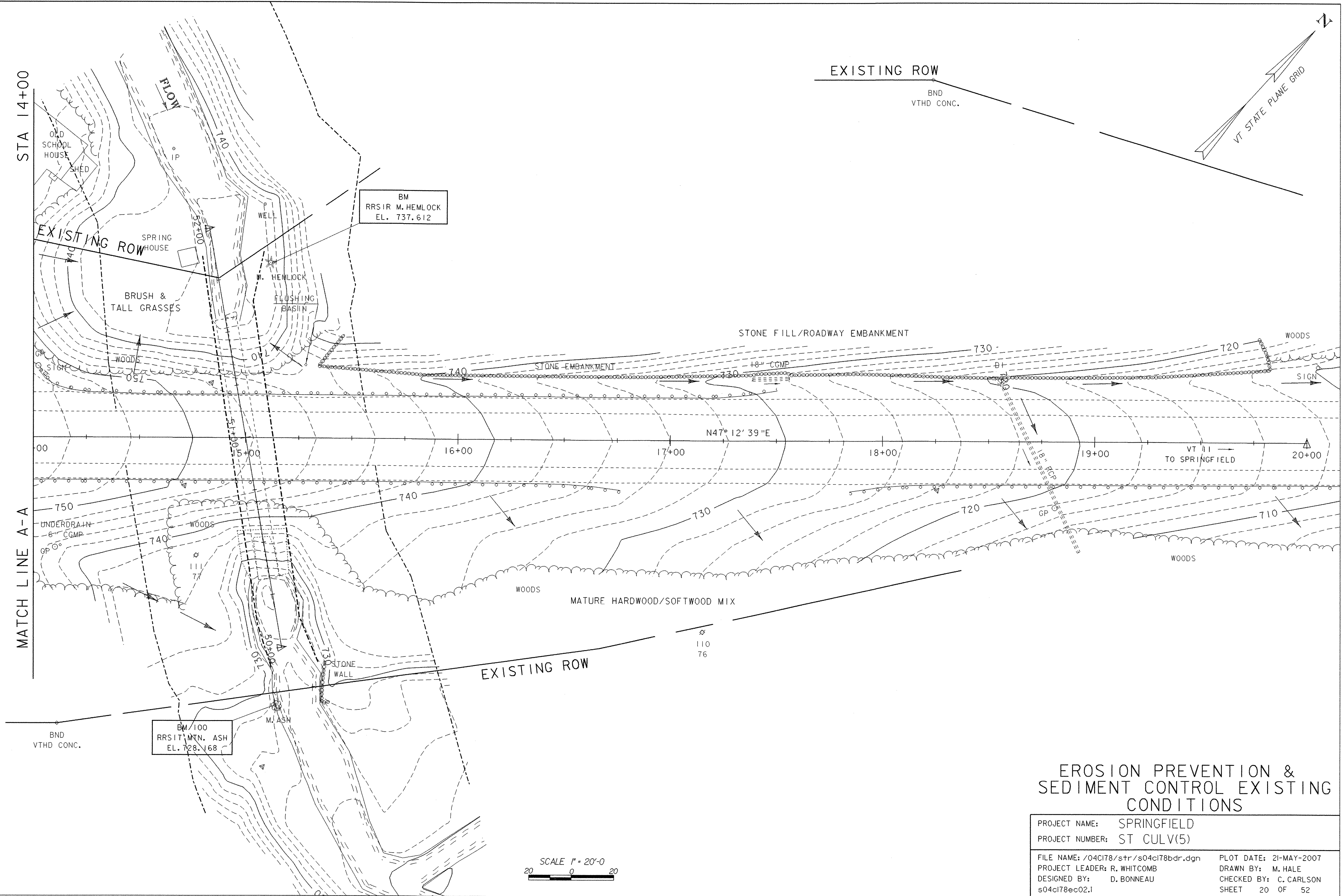
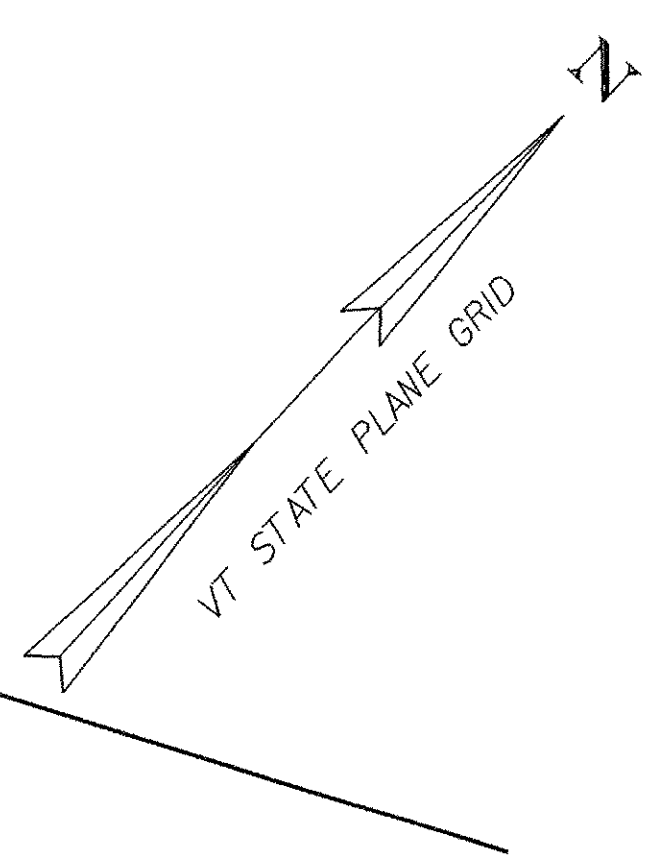


STA 14+00
MATCH LINE A-A



EXISTING ROW

BND
VTHD CONC.



BM
RRS IR M. HEMLOCK
EL. 737.612

BM 100
RRS IR MTN. ASH
EL. 728.168

STONE FILL/ROADWAY EMBANKMENT

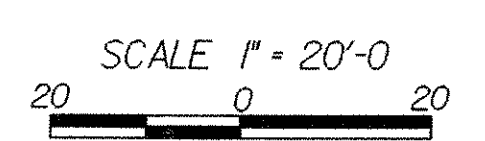
STONE EMBANKMENT

N47° 12' 39" E

VT 11
TO SPRINGFIELD

MATURE HARDWOOD/SOFTWOOD MIX

EXISTING ROW



EROSION PREVENTION & SEDIMENT CONTROL EXISTING CONDITIONS

PROJECT NAME: SPRINGFIELD	PROJECT NUMBER: ST CULV(5)
FILE NAME: /04C178/str/s04c178bdr.dgn	PLOT DATE: 21-MAY-2007
PROJECT LEADER: R. WHITCOMB	DRAWN BY: M. HALE
DESIGNED BY: D. BONNEAU	CHECKED BY: C. CARLSON
s04c178ec02.1	SHEET 20 OF 52