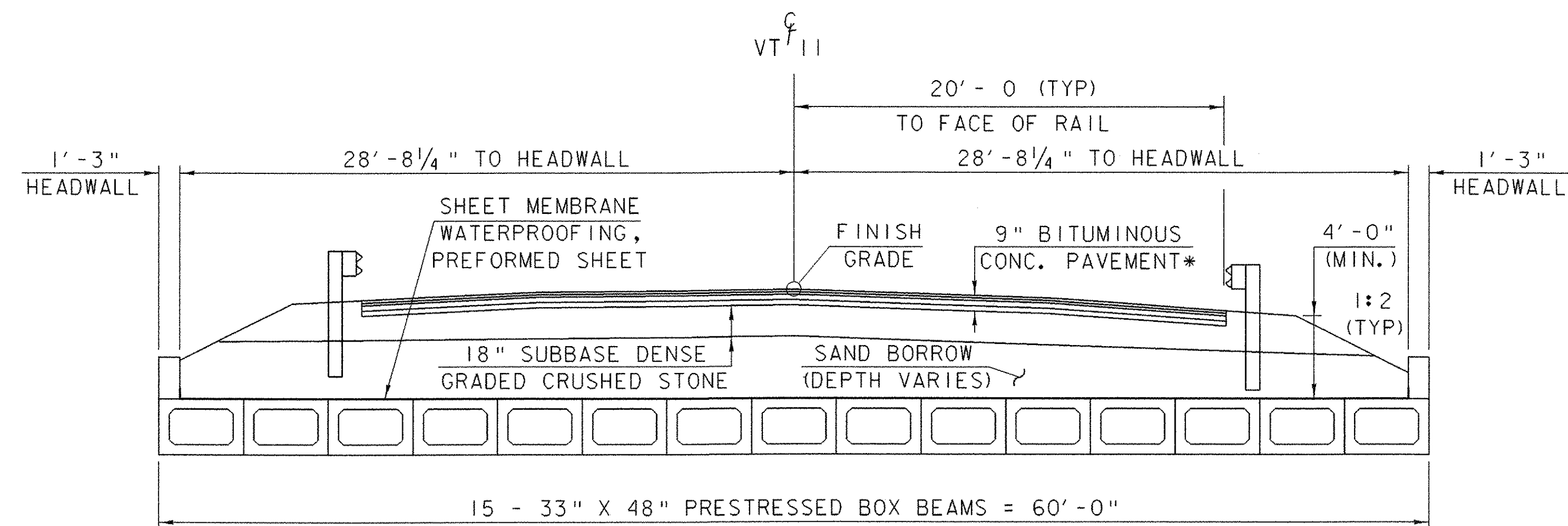


**ROADWAY TYPICAL SECTION**

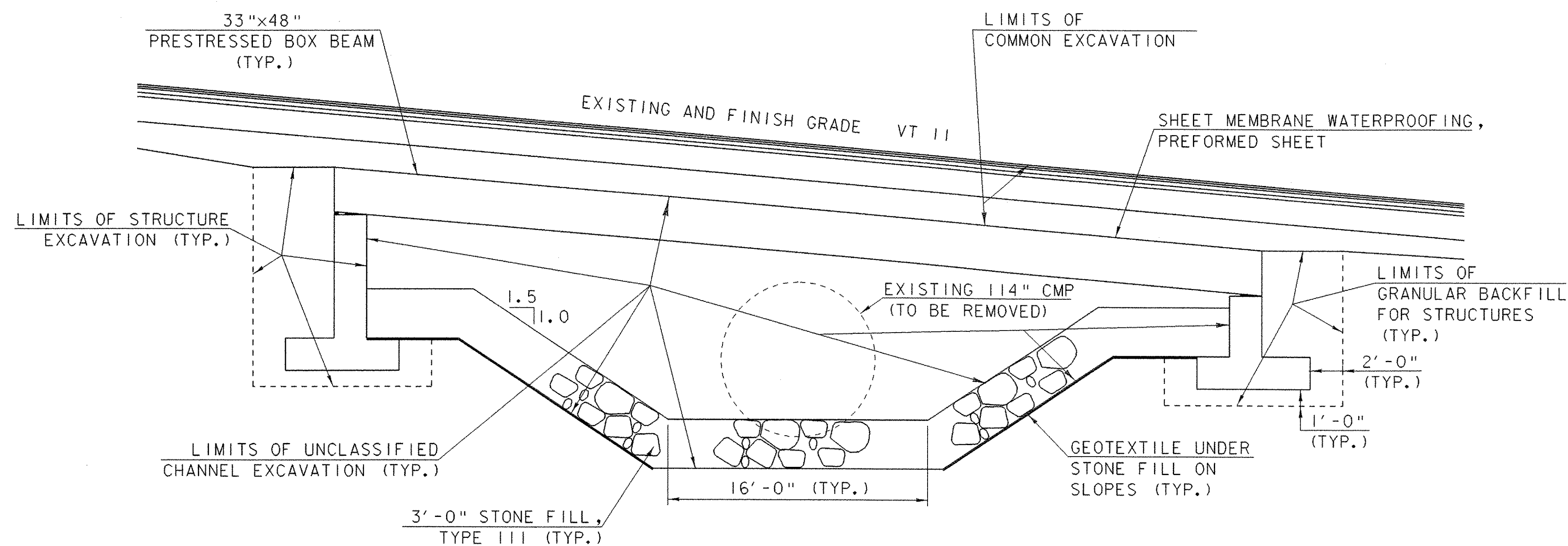
SCALE 1" = 5'-0"  
 5 0 5



NOTE: SEE ROADWAY TYPICAL SECTION FOR ADDITIONAL DETAILS

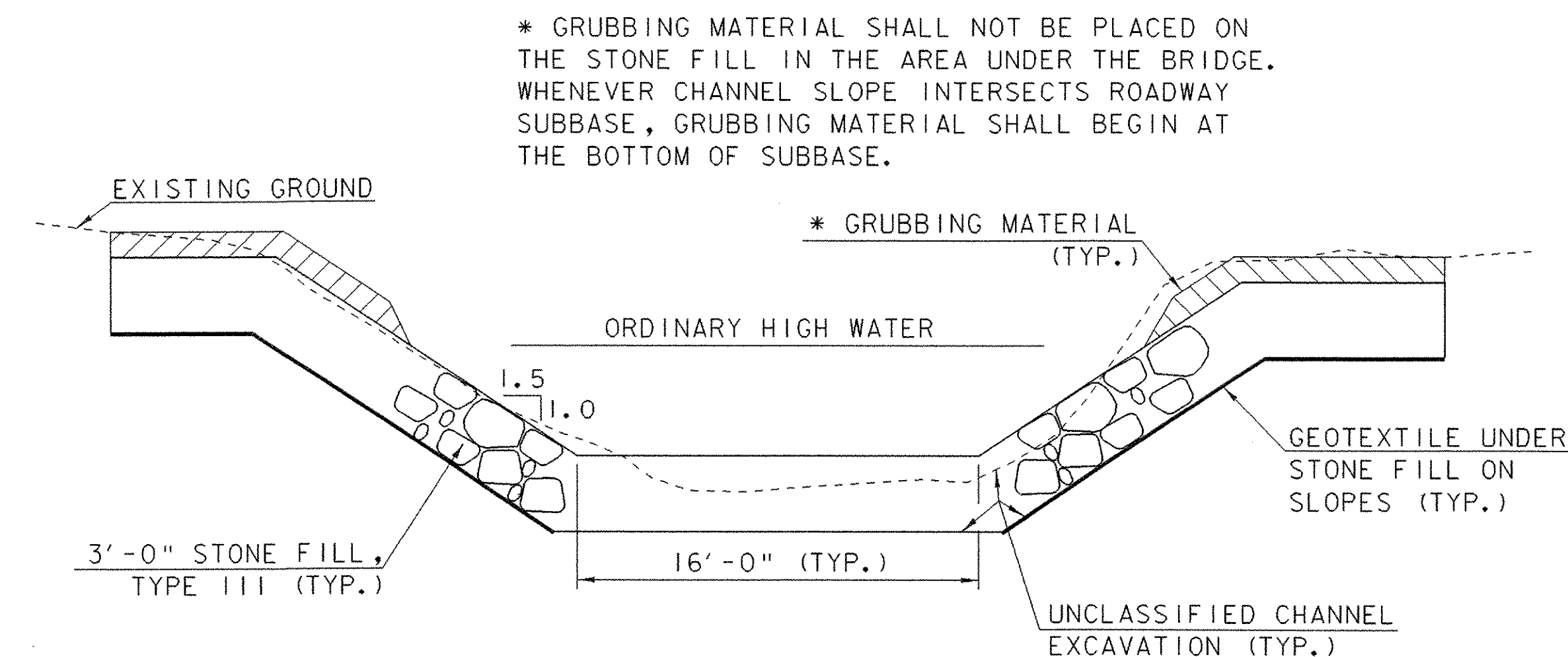
**BRIDGE TYPICAL SECTION**

SCALE 1" = 5'-0"  
 5 0 5



**SUBSTRUCTURE TYPICAL SECTION**

SCALE 1" = 5'-0"  
 5 0 5



**CHANNEL TYPICAL SECTION**

SCALE 1" = 5'-0"  
 5 0 5

MATERIAL TOLERANCES	
PAVEMENT	+/- 1/4" (TOTAL THICKNESS)
BASE COURSE	+/- 1/2"
SUBBASE	+/- 1"
SAND BORROW	+/- 1"
GRANULAR BORROW	+/- 1"

**TYPICAL SECTIONS SHEET**

PROJECT NAME: SPRINGFIELD  
 PROJECT NUMBER: ST CULV(5)  
 FILE NAME: /04cl78/str/s04cl78typ.dgn  
 PROJECT LEADER: R. WHITCOMB  
 DESIGNED BY: J. PERRIGO  
 PLOT DATE: 21-MAY-2007  
 DRAWN BY: M. HALE  
 CHECKED BY: D. PETERSON  
 SHEET 4 OF 52